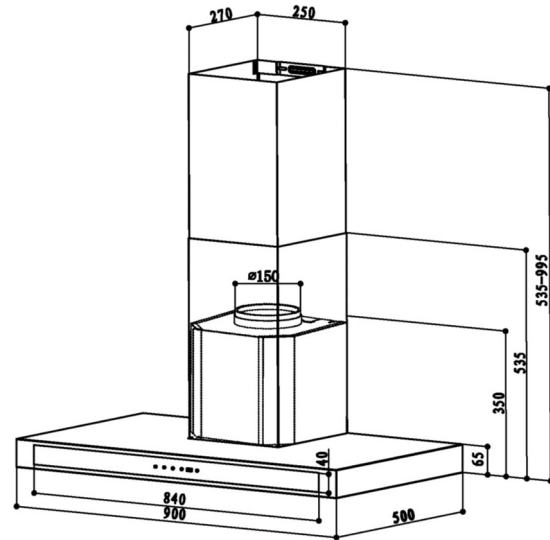


Black Glass Canopy Rangehood 900mm – CH924S



Product Specifications *

Finish	Stainless steel with black glass display
Dimensions	898 x 500mm
Power Source	10amp
Installation	Wall mounted
Ducting	Ducted or recirculating
Flue Dimension	150mm
Max Height	995mm including body
Capacity	750m ³ /hr
Motor	220W motor
Noise Rating	<59dB
Speeds	3 speed touch control with auto cut-off timer
Filter	3 x Aluminium filters, removable and washable
Illumination	2 x LED lights
Options	Charcoal filters
Warranty	3 years

*Specifications and product size may change without notice. Shinda International is not responsible for any errors or omissions.

All dimensions and images are for illustrative purposes and cut-outs should be based on physical product measurements.