



## Chimney Rangehood

CH917BSL

CH917BBL

CH917BSL-EXT

CH917BBL-EXT

## Installation and Operation Manual

To avoid the risk of accident or damage to the appliance, it is **essential** to read the following instructions prior to product installation and / or first time usage.

# CONTENTS

Important Note	Page 3
Product Specification	Page 5
Product Overview	Page 6
Installation Instruction	Page 8
Ducted Mode	Page 10
Recirculation Mode	Page 12
Chimney Assembly	Page 13
External Motor Installation	Page 14
Indoor Motor HGIX	Page 15
Outdoor Motor HGSS	Page 17
Electrical Connection	Page 18
Rangehood Operation & Control	Page 19
Cleaning and Maintenance	Page 20
Troubleshooting	Page 21
Schematic Diagram	Page 22

## Important Notes

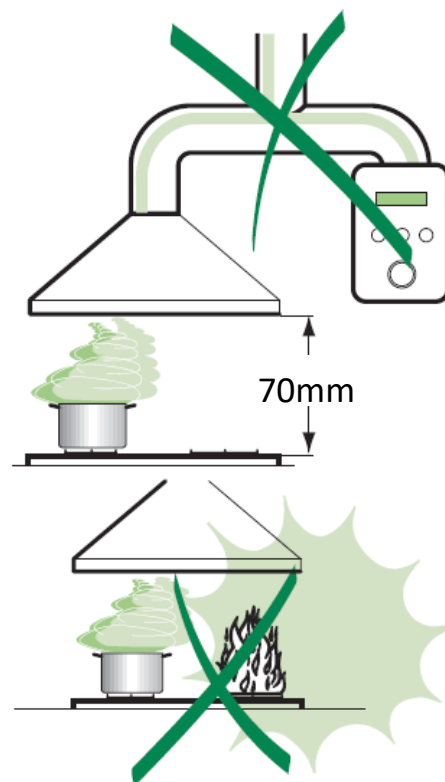
Dear Customer

Thank you for choosing our product. This appliance is easy to use; however please read this handbook carefully before installing and operating it. Herein, you will find the correct method of installation and tips for best use and maintenance of the product.

- This appliance is designed to be handy for any adult to use at home. Do not allow children to play with it. Children need to be supervised when the product is in operation so that they do not go near the range hood.
- This product must be connected in accordance with current electrical regulations. A fixed wiring installation is to be done only by an authorised electrician.
- **WARNING: THIS APPLIANCE MUST BE EARTHED.**  
Means for disconnection must be incorporated in the fixed wiring in accordance with the wiring rules.
- **Electrical Connection :**  

<b>Green &amp; yellow</b>	<b>=</b>	<b>EARTH</b>
<b>Blue</b>	<b>=</b>	<b>NEUTRAL</b>
<b>Brown</b>	<b>=</b>	<b>LIVE</b>
- Fixed wiring must be protected.
- Never use reductions, shunts, adaptors that can cause overheating or burning.
- It is strictly prohibited to modify any part of this appliance. Modification is to be done at user own risk.
- Before maintenance or cleaning of the product, disconnect the appliance from the mains.
- For any repairs, always contact authorized Customer Service Centre and ask for original spare parts. Repairs by untrained people may lead to damage and void the warranty.

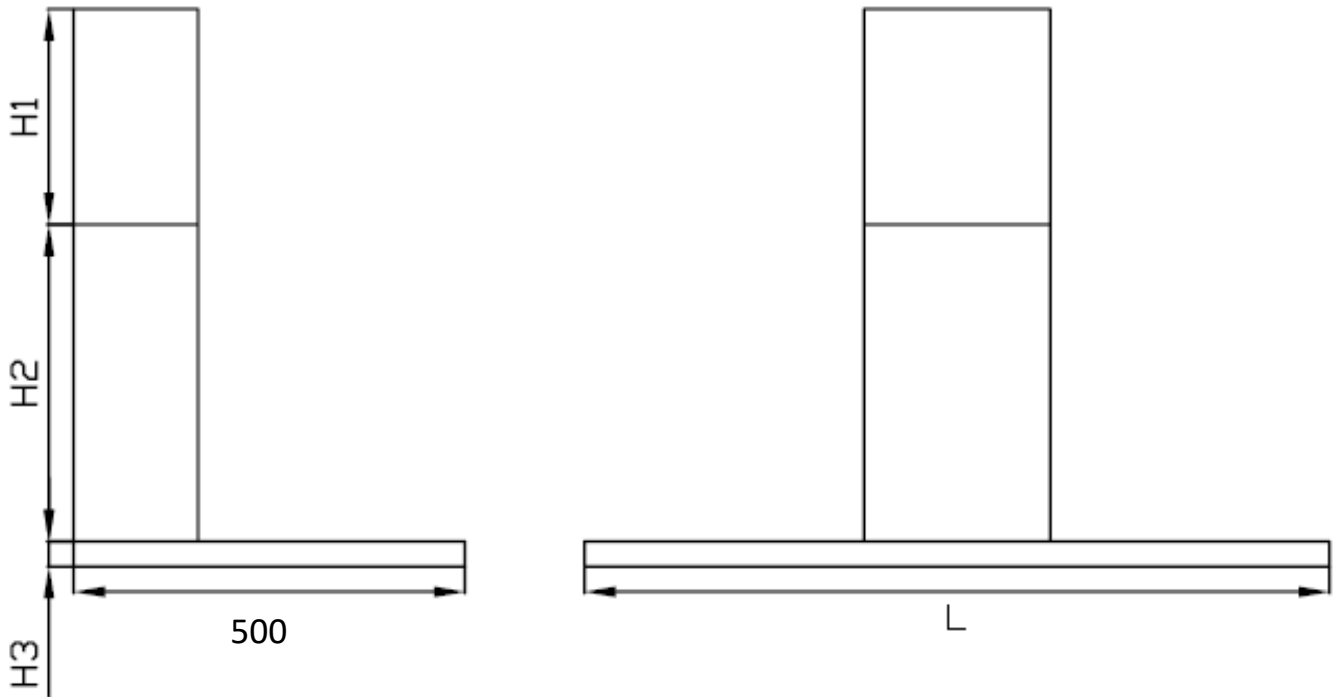
- Packaging cling film, polystyrene and plastic wrappings must be kept out of reach of babies and young children to avoid suffocation.
- Do not connect the appliance if there are obvious signs of transportation damage. If the supply cord is damaged, it must be replaced by the manufacturer, or its service agent as mentioned in Clause 7 (60335-2-31)
- Ensure the location in which this appliance is installed has good, permanent ventilation.
- The distance between the bench top to the lower part of the hood must not be at less than 70 cm and it is not recommended to be more than 75 cm for optimal operation.
- Do not leave lit gas burners exposed due to risk of fire.
- The exhaust from the canopy range hood must not be discharged into any heating flue.
- This product must not be disposed with the domestic waste. It has to be disposed at an authorised bin for recycling the appliances.
- This appliance is not intended for use by person (including children) with reduced physical, sensory or mental capabilities or lack of experience and knowledge. Unless, they have been given supervision or instruction regarding the use of appliance by personnel who is responsible for their safety.
- There is risk of catching fire if cleaning is not carried out in accordance with the frequency suggested and instructions



**The manufacturer shall not be liable for any direct or indirect damage caused by faulty installation. The installer must ensure that the product installation and connection complies with the local and general regulation in force.**

**Product Specification**

	<b>CH917BSL / CH917BBL</b>	<b>CH917BSL-EXT / CH917BBL-EXT</b>
Voltage / Frequency	: 220-240Vac / 50Hz	220-240Vac / 50Hz
Type of Motor	: Integrated motor	External motor
Rated Motor	: 400 W	380 W
Motor Capacity	: 950m <sup>3</sup> /hr	1000m <sup>3</sup> /hr
Filter	: Stainless steel Baffle & Charcoal (Optional)	Stainless steel Baffle
Lighting	: LED light bar	LED light bar
Speed Settings	: 4 speed	4 speed
Ducting	: Ducted OR Recirculation	Ducted
External Dimension	:	



Dimension \ Model	L	H1	H2	H3
CH917BSL / CH917BBL / CH917BSL-EXT / CH917BBL-EXT	900mm	470mm	470mm	80mm

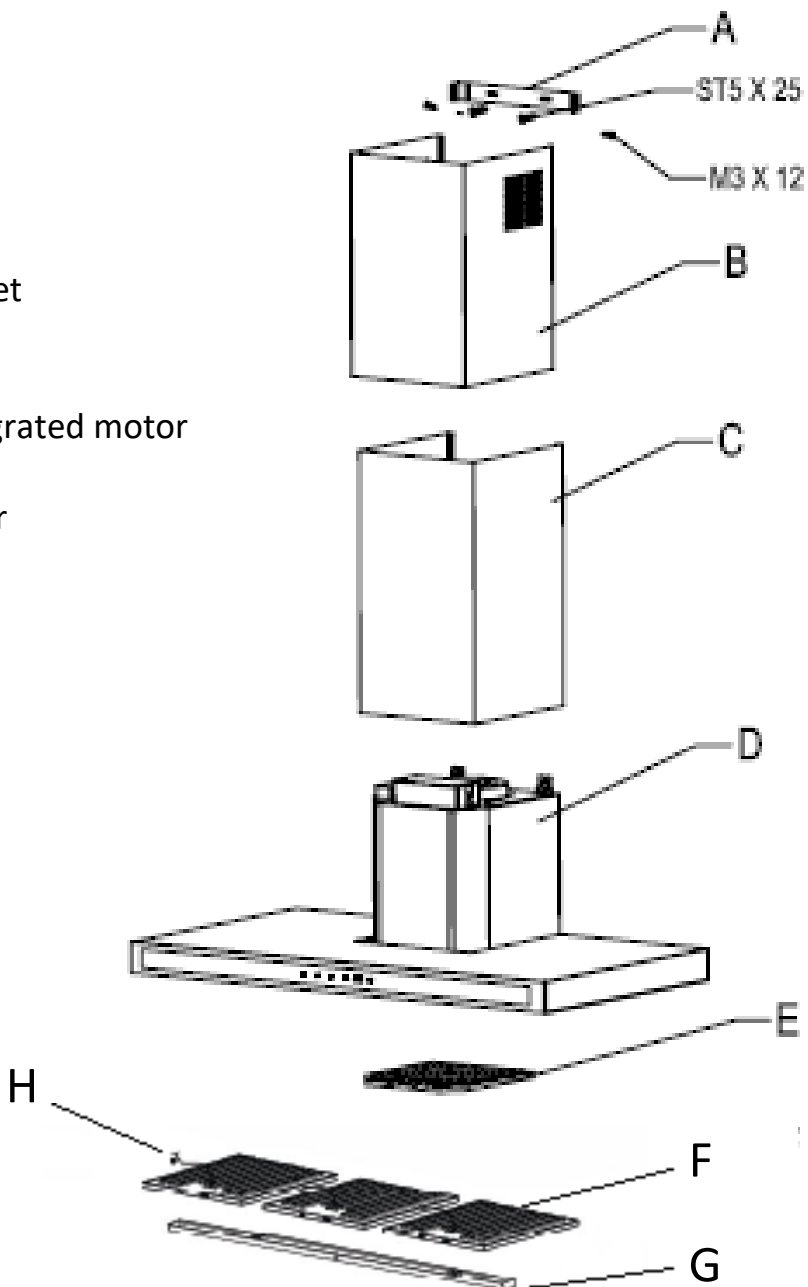
## Product Overview

Complete product comes with the following :

Model : **CH917BSL / CH917BBL**

- 1 x chimney rangehood body with integrated motor
- 1 x user manual & warranty card
- Fixing brackets & screws

- A. Chimney Mounting Bracket
- B. Upper Chimney Cover
- C. Lower Chimney Cover
- D. Canopy Section with integrated motor
- E. Charcoal Filter (Optional)
- F. Stainless Steel Baffle Filter
- G. Grease Trap
- H. Safety Clip

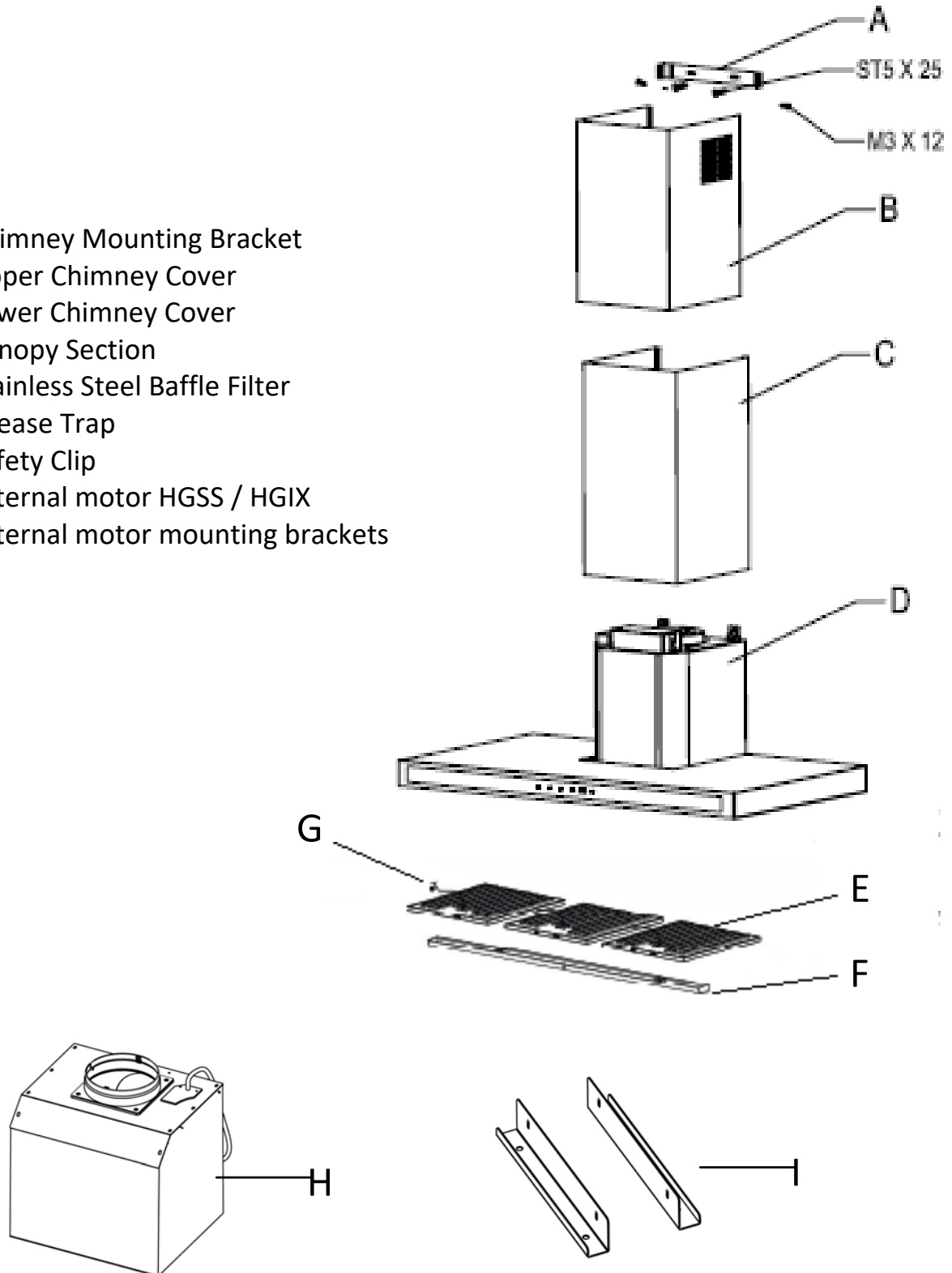


**\* DiLusso Q series rangehoods gives you the option to replace integrated motor with an external motor and locate it away from your kitchen. Please see your DiLusso supplier for more information.**

Model : **CH917BSL-EXT / CH917BBL-EXT**

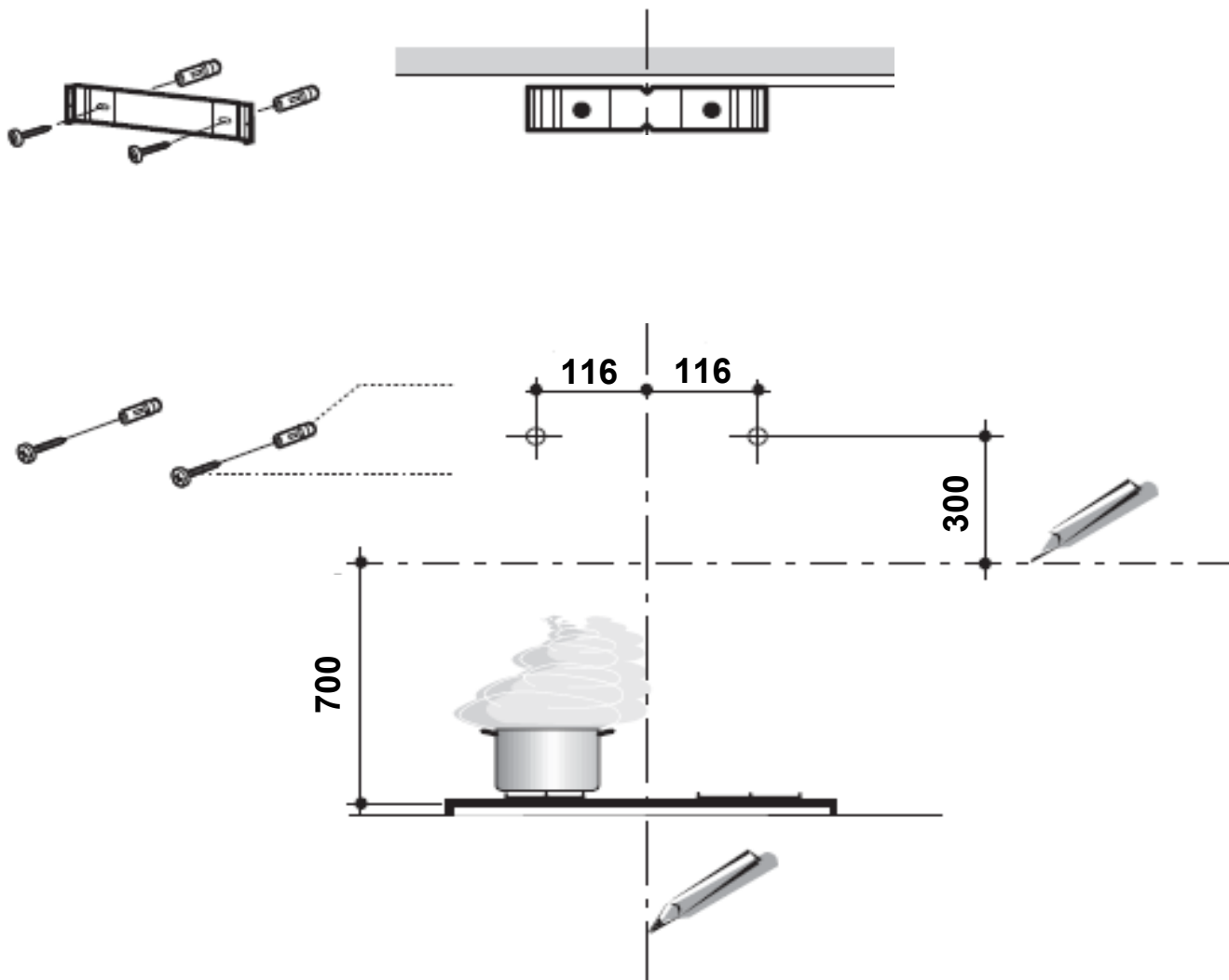
- 1 x chimney rangehood body
- 1 x external motor
- 1 x user manual & warranty card
- Fixing brackets & screws

- A. Chimney Mounting Bracket
- B. Upper Chimney Cover
- C. Lower Chimney Cover
- D. Canopy Section
- E. Stainless Steel Baffle Filter
- F. Grease Trap
- G. Safety Clip
- H. External motor HGSS / HGIX
- I. External motor mounting brackets



## Installation Instruction

To install the chimney hood body, predetermine the location and follow the below instructions :



Wall marking:

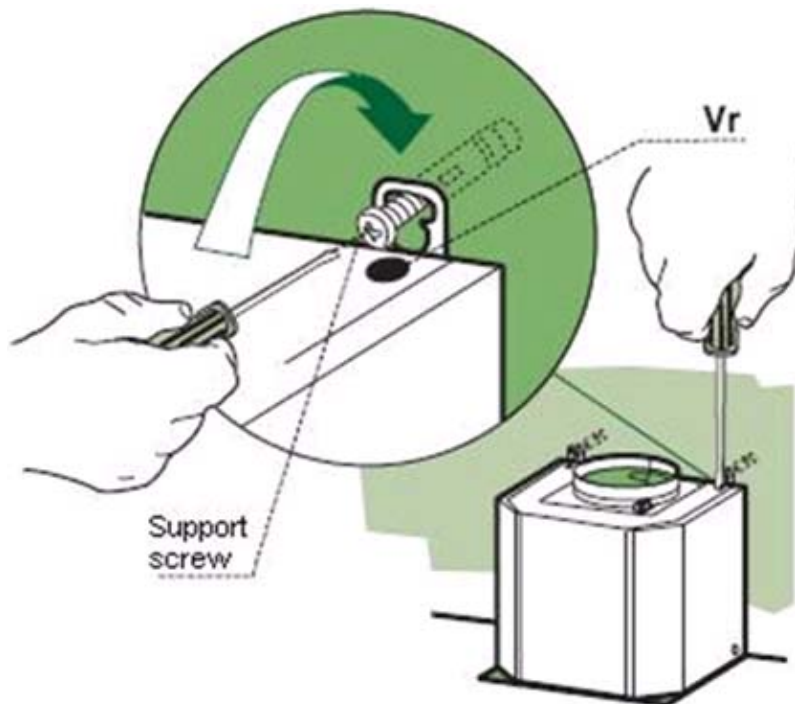
- Draw a vertical line on the wall where the chimney is to be installed.
- Draw a horizontal line 700mm above the hob.
- According to the height of canopy body, mark at 85mm above the horizontal line and offset left and right from the vertical line. These two holes are to mount the hood body.
- Next, place first the hood bracket on the wall, adjust the height according to upper chimney cover, then align the centre of the bracket with the vertical reference line. Mark the bracket screw holes position on the wall.



- Drill  $\varnothing$  8mm holes at all the marking points.
- Insert the wall plugs and fix the two brackets by using the screws (ST 5 X 25) supplied.
- Insert 2 screws (ST 5 X 25) to the hood body fixing holes, as follow :

### Mounting the hood body

- First, tighten the two mounting points screws, Vr.
- Secure the hood body to the wall. Adjust mounting points screws, Vr, to level the hood body.



## **Ducted mode (Vented mode)**

### **Suitable for CH917BSL / CH917BBL / CH917BSL-EXT / CH917BBL-EXT**

In the ducted mode, air is drawn into the hood. Oil is trapped in the baffle filter and drains to the grease trap while odours, fumes and condensation are then directed and vented to the outside. **Only the aluminium filters is to be installed in the ducted mode.**

Ductwork should be planned carefully before drilling and cutting the duct.

Installer must ensure that the product installation and connection complies with the local and general ducting regulation in force. Flexible ductwork is recommended. Extend duct to its full length, and position, cut and discard any excess. Note : Keep duct as straight as possible for maximum air flow and at least restrictions, while providing for easy maintenance

Vented system must be terminated to the outside. Ductwork can extend either through the wall or the roof. Do not terminate the vent system in an attic or other enclosed area.

The length of the ductwork and the number of elbows should be kept to minimum to provide efficient performance. The size of the ductwork should be uniform. Do not install two elbows together. Use duct tape to seal all joints in the ductwork system. Use caulking to seal exterior wall or floor opening around the cap.

When the hood is working at the same time with other non-electrical cooking equipment, the negative pressure of the room must not exceed 4Pa.

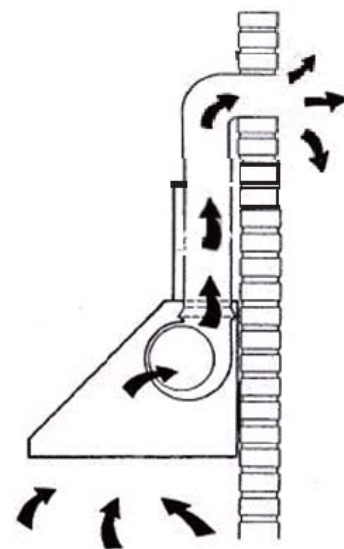
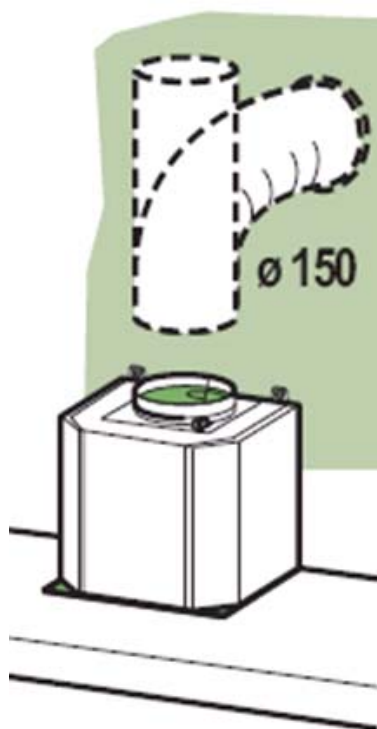
Make sure there is proper clearance within the wall or floor for exhaust duct before making cutouts. Do not cut a joist or stud unless absolutely necessary. If a joist or stud is to be cut, then a supporting frame have to be constructed.

Connect the  $\varnothing 150$ mm duct pipe from the hood body to

- Exit / vent point (CH917BSL / CH917BBL) OR
- See Page 14 for CH917BSL-EXT / CH917BBL-EXT external motor mounting options

Fix the duct pipe in position by ring clamps (not provided by manufacturer)

**Make sure the charcoal filter is removed (if any).**



Ducted Air Flow

## Recirculation Mode

Suitable for CH917BSL / CH917BBL ONLY

In the recirculation mode, air is drawn into the hood. Oil is trapped in the baffle filter and drains to the grease trap while cooking odours is removed by the charcoal filter.

Purified air then is directed back to the kitchen.

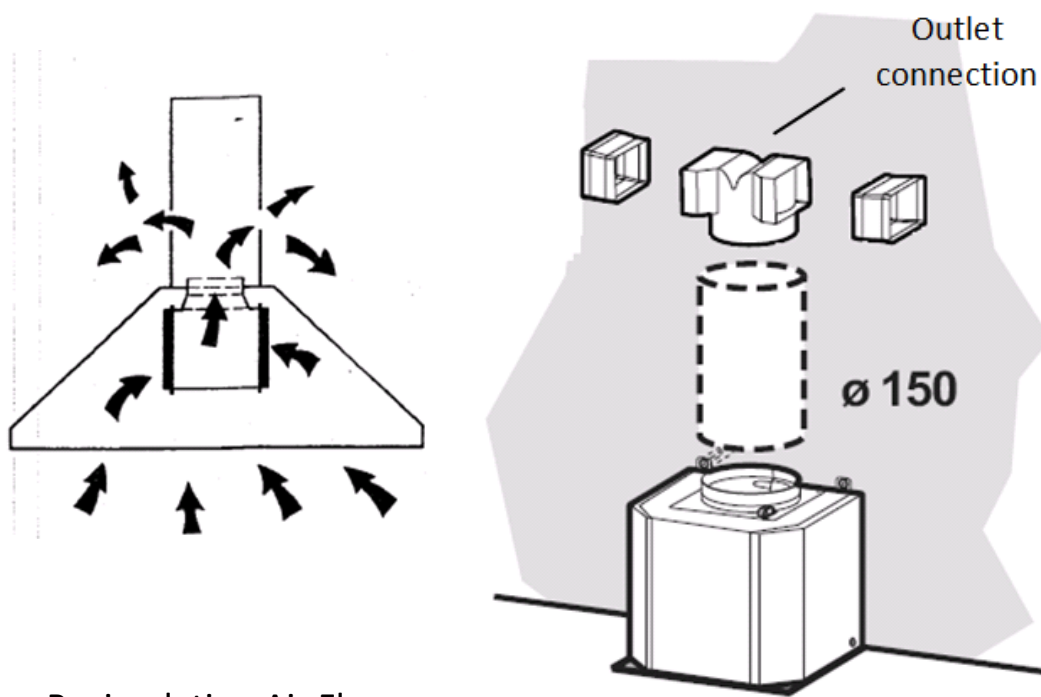
**In this mode, both the aluminium and the charcoal filters are to be installed.**

**Insert the connection extension pieces (not provided) laterally in the outlet connection.**

**Make sure that the extension pieces outlet is aligned with the chimney outlet.**

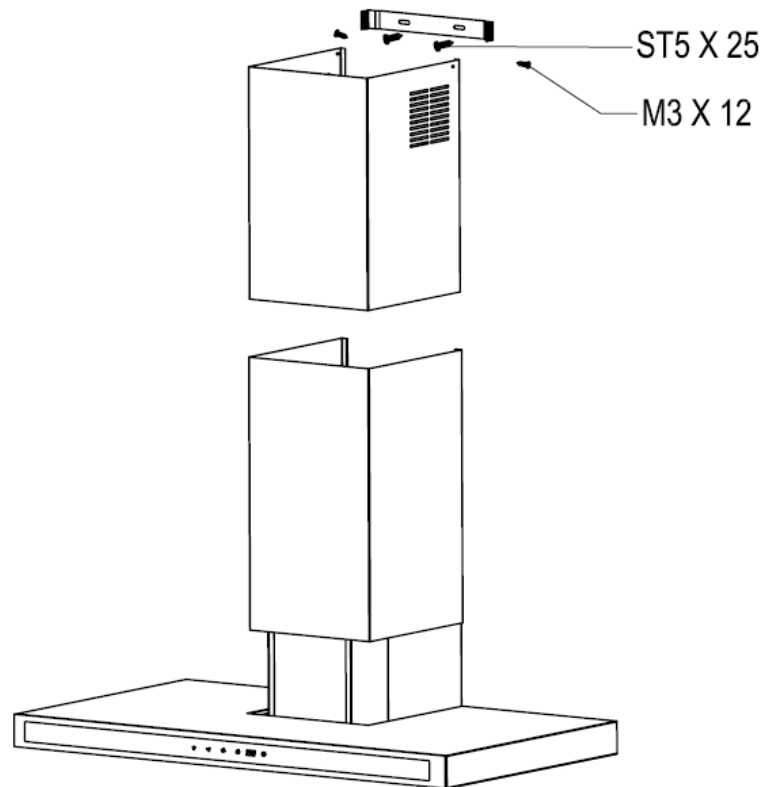
**Connect the outlet connection to the hood body using a  $\varnothing$  150mm pipe.**

**Ensure that the charcoal filters is installed in position.**



Recirculation Air Flow

## Chimney Assembly



### **Upper chimney**

- Slightly widen the two sides of the upper chimney and secure it at the mounting brackets, make sure that it is fitted firm.
- Secure the sides of the brackets by using 2 M3 X 12 screws provided.

### **Lower chimney**

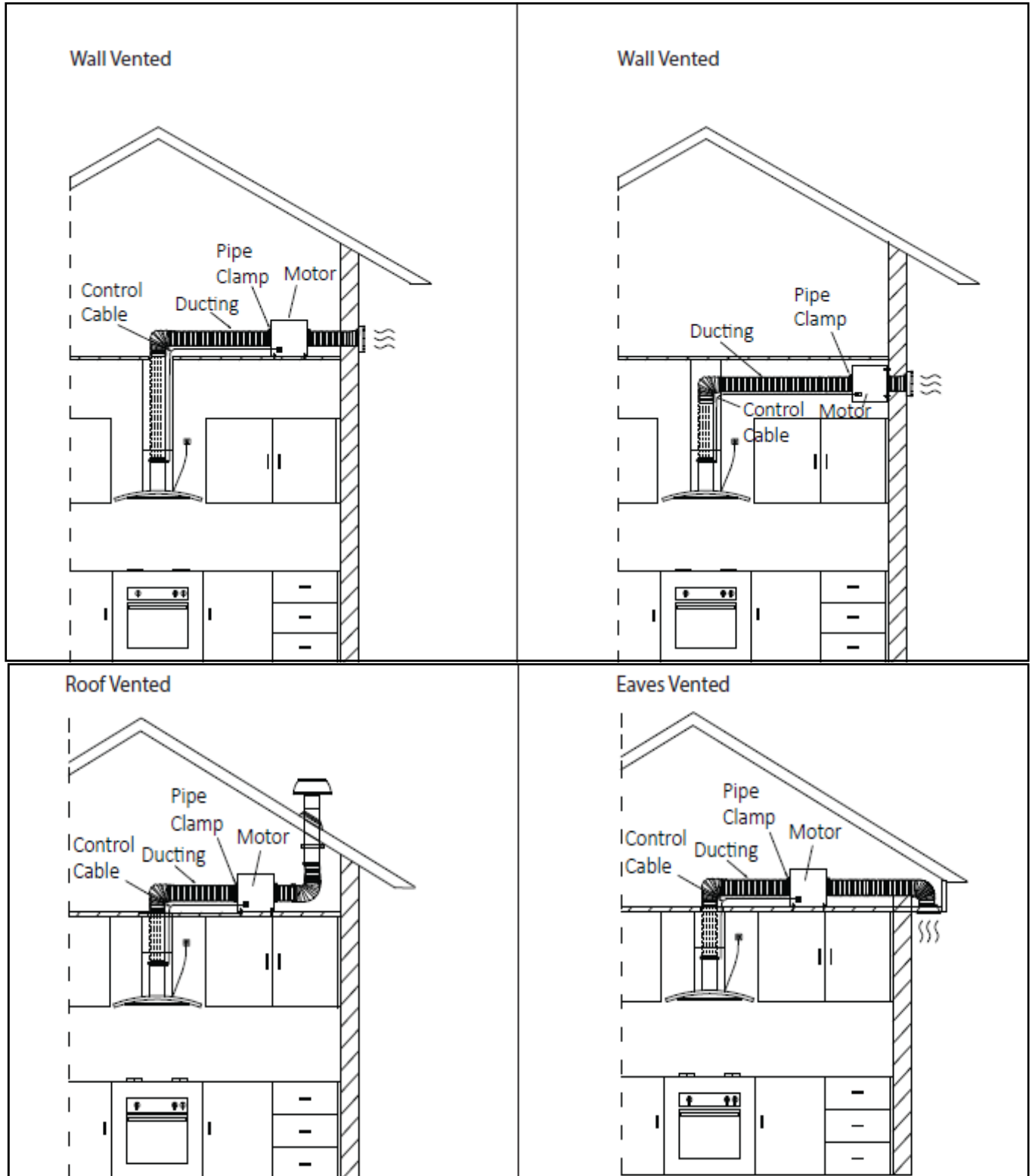
- Slightly widen the two sides of the chimney and secure it between the upper chimney and the wall, ensure that it is fitted firm.

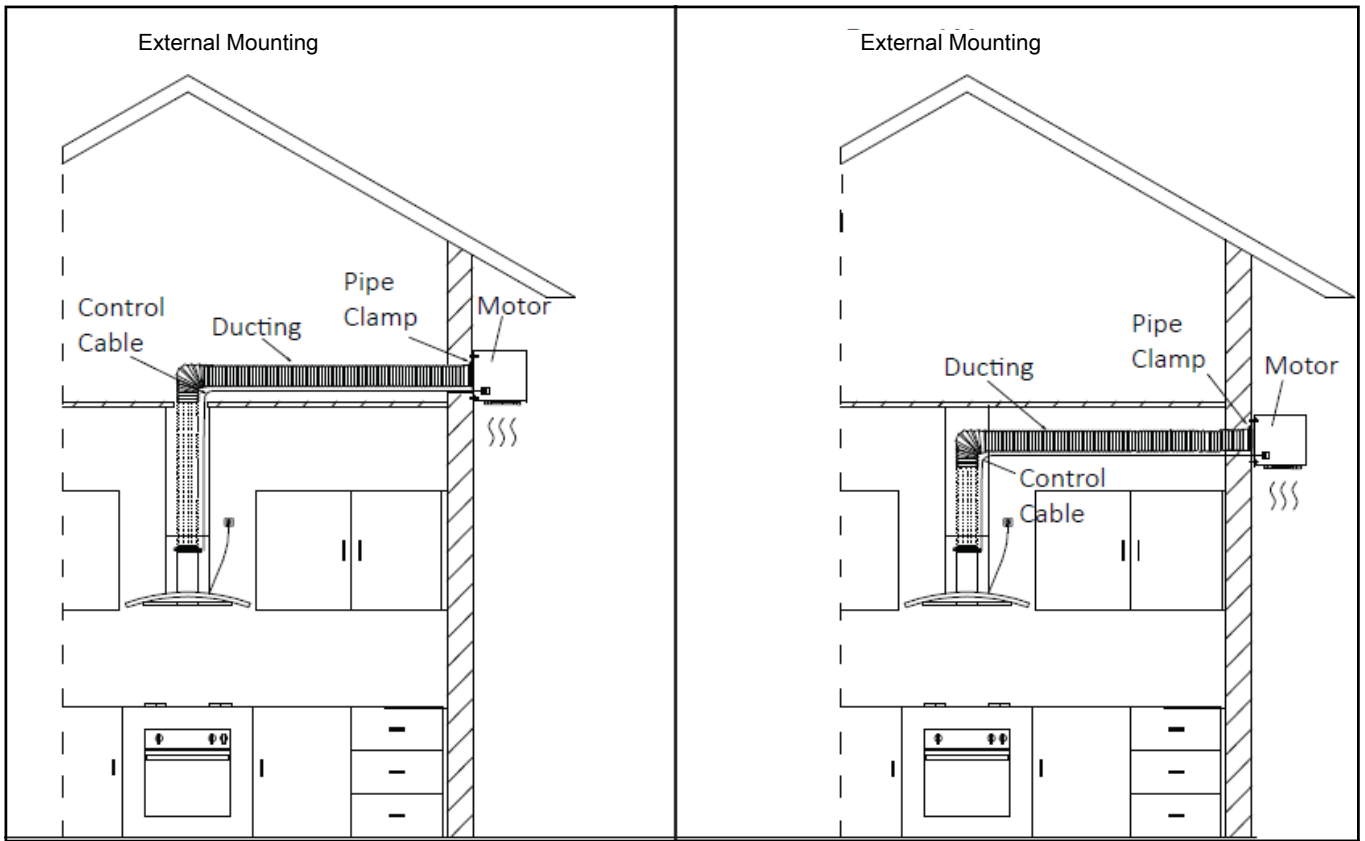
**Note :** To avoid scratching the chimney during installation, do NOT to peel the protective film off until both upper & lower chimneys are fixed in place. After both chimneys are secured and fixed, use a blade to gently cut the film where the chimney joins to cleanly remove the film.

## External Motor Installation (CH917BSL-EXT / CH917BBL-EXT)

There are a few ways to install the external motor hood :

- Wall Vented with an indoor motor (HGIX)
- Roof Vented with an indoor motor (HGIX)
- Eaves Vented with an indoor motor (HGIX)
- External Mounting with an outdoor motor (HGSS)

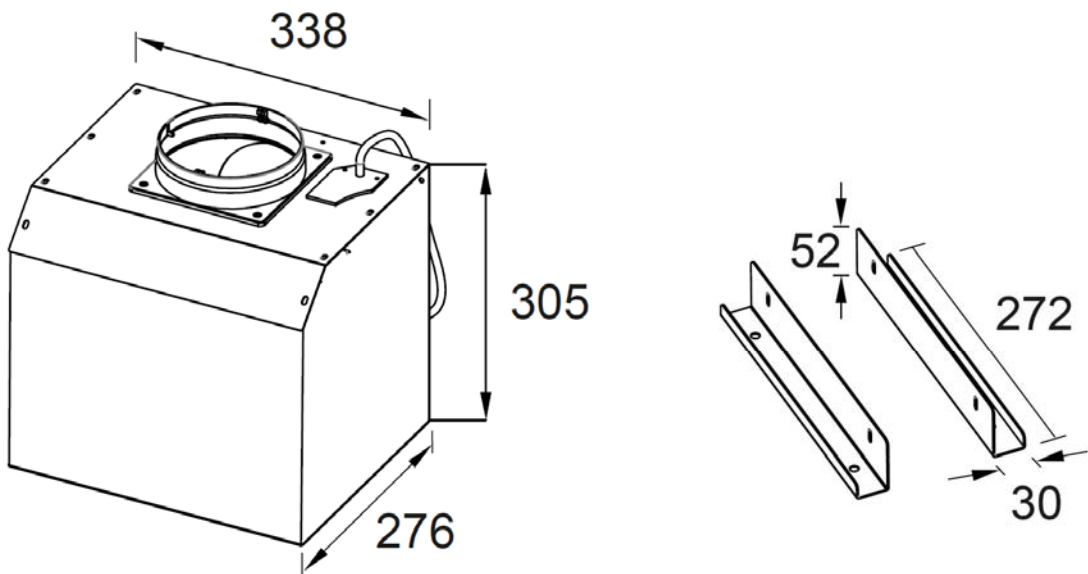




**Note : Vents, ducting, ring clamps, and elbows are not supplied and to be purchased separately according to installation needs.**

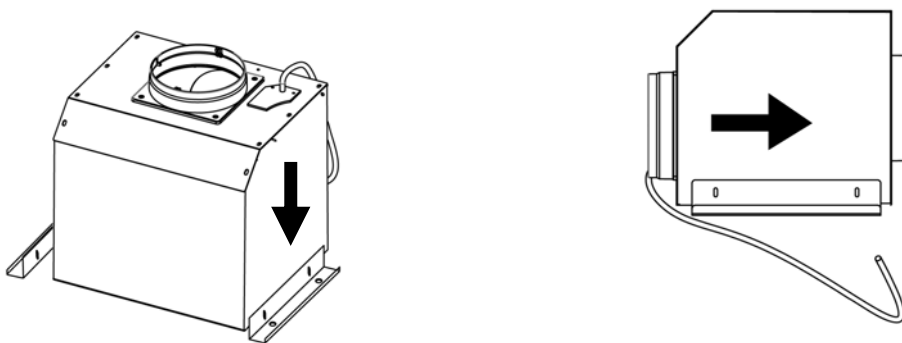
**Indoor Motor (HGIX)**

- Dimension of motor casing & mounting bracket



- By using brackets & screws provided, mount the indoor motor HGIX inside roof cavity or cabinet or bulkhead, providing the HGIX motor is protected from the elements. It is recommended to place a vibration dampening layer on the side of the bracket that fixes to the structure to reduce vibration & noise.
- The location that motor is installed must be accessible.
- HGIX can be installed up to a maximum 4 metres away from the rangehood outlet collar. For maximum air movement, the motor should ideally be located closer to the exit point / vent.
- HGIX can be installed in either vertical or horizontal position.

**Pay attention to the inwards and outwards arrows on the motor casing and make sure the motor is positioned accordingly.**

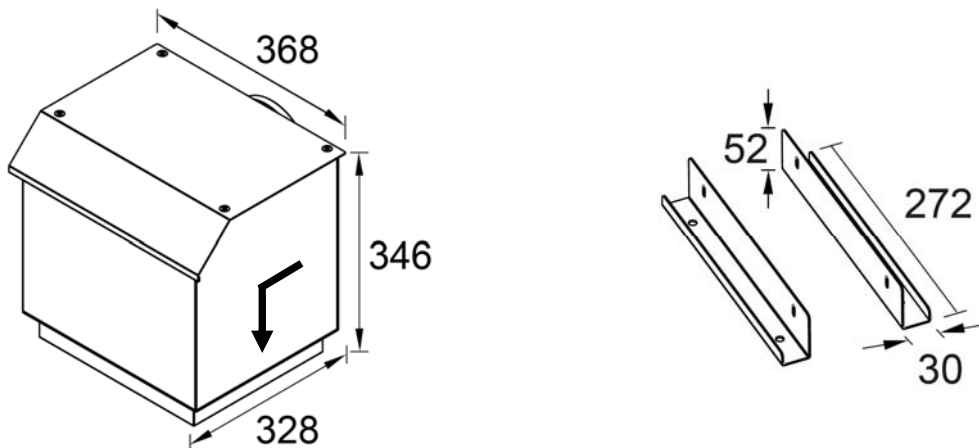


- After the motor has been secured to predetermined location, install the range hood vent on the eaves, roof or wall according to the page 10 manufacturer's instructions.
- Using ring clamps to secure and run a  $\varnothing 150\text{mm}$  ducting from the rangehood collar to the inlet collar of HGIX. Run another length of  $\varnothing 150\text{mm}$  ducting from the motor outlet collar to the exit point / vent. Ensure the ducting is pulled tight and gently bent.
- There are two junction boxes on the hood body. Open the smaller one and connect the motor cable to the plug inside the small junction box. Secure the cable correctly by using appropriate cable fixer. Close the junction box.
- Connect the Earth cable. The motor will draw power itself from the rangehood which is plugged into a 10Amp power point.

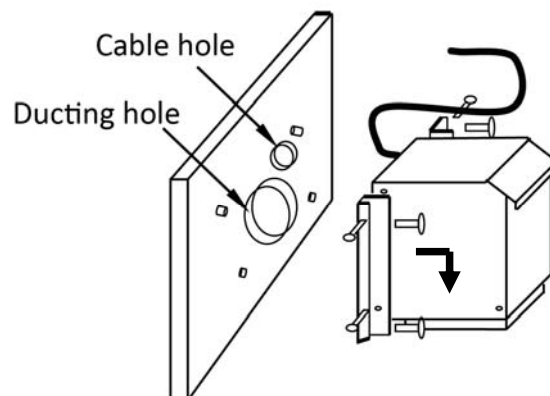


## Outdoor Motor (HGSS)

- Dimension of motor casing & mounting bracket



- By using brackets & screws provided, HGSS can be installed in vertical position against the outer wall a minimum of 500mm from the ground and connected to the rangehood. The location that motor is installed must be accessible.
- HGSS can be installed up to a maximum 4 metres away from the rangehood outlet collar.



- When drilling holes on the wall, pay attention to make sure the area behind is clear of electrical wirings and plumbing pipes. A  $\text{Ø}160\text{mm}$  hole to be cut into house for  $\text{Ø}150\text{mm}$  ducting. Another hole for motor cable is required. Four other fixing holes for mounting motor & brackets.
- Run a  $\text{Ø}150\text{mm}$  ducting through the pre-cut hole and secure it to the HGSS inlet collar by using ring clamps, make sure it is fastened tightly and will not come off. Feed the motor cable through the cable hole. Secure the mounting brackets to the motor casing, then to the wall.

- Run the Ø150mm ducting back to the location of the rangehood and secure it to the rangehood collar by using another ring clamp.
- Ensure the ducting is pulled tight and gently bent.
- Run the cable from the motor to the rangehood, there are two junction boxes on the hood body. Open the smaller one and connect the motor cable to the plug inside the small junction box. Secure the cable correctly by using appropriate cable fixer. Close the junction box.
- Connect the Earth cable.
- The motor will draw power itself from the rangehood which is plugged into a 10Amp power point.

### **Electrical Connection**

Before connecting to the mains, make sure that :

- The electric meter, fuse, feeding line and socket are adequate to withstand the maximum load required (refer to product data label for rated power)
- The supply system is regularly earthed, according to the regulations in force.
- The isolation switch can easily be reached after the rangehood is installed.

## Rangehood Operation & Control

The hood is equipped with a 4-speed control motor. Touch controls are located at the front edge of the hood canopy.

To achieve better results, it is recommended to switch the hood on 3 to 5 mins before cooking starts. Likewise, let the hood run for a few minutes after cooking.

Control panel in OFF mode :



No icon other than a grey circle on the left.

Press and hold the grey circle for 2 seconds to turn on the hood & light up the icons.



### On / Off

To turn the hood on and off.



### Speed level display

Shows the extractor speed level



### +/-

To adjust the extractor motor speed.

0 Off

2 Medium Speed

4 High Speed

1 Low Speed

3 Medium High Speed



### Light On/Off

To turn the LED light bar on/off.



### Power Off with Delay Timer

To programme the extractor motor off at a preset delay. Select the desired speed and press this timer button once. The rangehood will automatically turn off 20minutes from activation. To deactivate timer, press the timer icon again.

## Cleaning & Maintenance

**Caution:** Prior to cleaning or maintenance, always disconnect the power supply.

**Do not use a steam cleaner.**

**To ensure the range hood is functioning effectively, regular maintenance is a must.**

**Surfaces :** Clean with warm soapy water and a soft sponge. Never use abrasive detergent, scouring pads, steel wool or solvents on any part of this appliance as this will cause irreparable damage. Dry the rangehood by using a cloth that does not produce fluff.

**Baffle Filter :** This could be washed in a dishwasher. It is advisable to stack them vertically to avoid food residue sticking to them. Or soak the baffle filter in a degreasing agent until all grease is dissolved. Then clean it under a flowing water tap, and rinse it off.

Note: Frame discolouration may occur if the filter is washed in a dishwasher.

**Charcoal Filter (Recirculation installation) :** The charcoal filter should be replaced when it is noticeably dirty or discoloured (usually after 6 to 12 months, depending on the usage). It is **not** washable and cannot be regenerated. The charcoal filter must be replaced with a similar and appropriate type. Clogged filters restrict airflow and may cause of overheating the extractor motor.

**Warning: a build-up of oil may occur if the range hood is not cleaned regularly**

## Troubleshooting

Scenario	Possible Causes	Solution
Motor does not work	No power supply	Ensure the appliance is connected to mains properly
		Reset the circuit breaker
Poor Airflow	Aluminium filter is clogged	Clean the filter and refit it after it is dry
	Charcoal filter is clogged	Replace with new charcoal filters
Motor is running but there is no airflow	Butterfly valve is jammed	Contact the service agent
Poor Extraction rate	Inadequate ventilation	Ensure the kitchen ventilation is good to allow entry of fresh air
	Charcoal filters are not installed	Install the charcoal filters for setting in recirculation mode
Motor cuts out after a few minutes	High temperature safety device is activated	Check if the kitchen ventilation is good and sufficient
	The distance between the hood installed and the cooking stove is short	Make sure the hood is installed at a minimum of 70cm above the cooking stove
Oil dripping to the stove	Baffle filter or grease is saturated	Clean the filter and grease trap
Whirring sound during hood operation	Foreign object in contact with the fan blade	Contact the service agent
Lamps do not light up	Light bulb is burnt out	Change the light bulb
	Light bulb is loose	Make sure the light bulb is fixed firm.

Schematic Diagram

