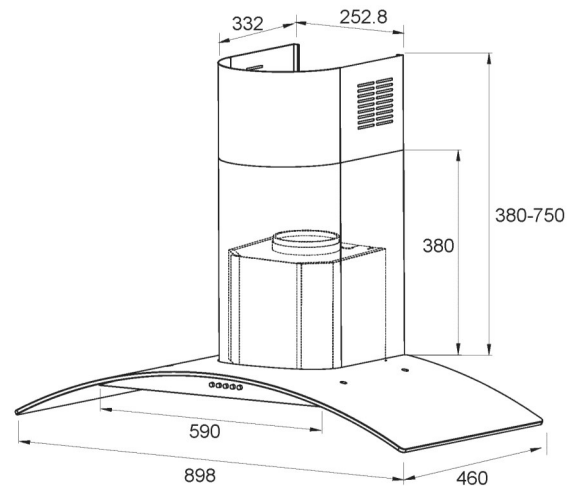


## Curved Glass Canopy Rangehood 900mm – CH903GSTL



### Product Specifications \*

Finish	Stainless steel with tempered glass
Dimensions	898 x 460mm
Power Source	10amp
Installation	Wall mounted
Ducting	Ducted or recirculating
Flue Dimension	150mm
Max Height	981mm including body
Capacity	1000m <sup>3</sup> /hr
Motor	400W motor with stainless steel chassis
Noise Rating	<59dB
Speeds	4 speed concealed LED touch control
Filter	2 x Aluminium filters, removable and washable
Illumination	LED light bar
Options	Charcoal Filters Remote control Interchangeable motor options
Warranty	3 years

\*Specifications and product size may change without notice. Shinda International is not responsible for any errors or omissions.

All dimensions and images are for illustrative purposes and cut-outs should be based on physical product measurements.