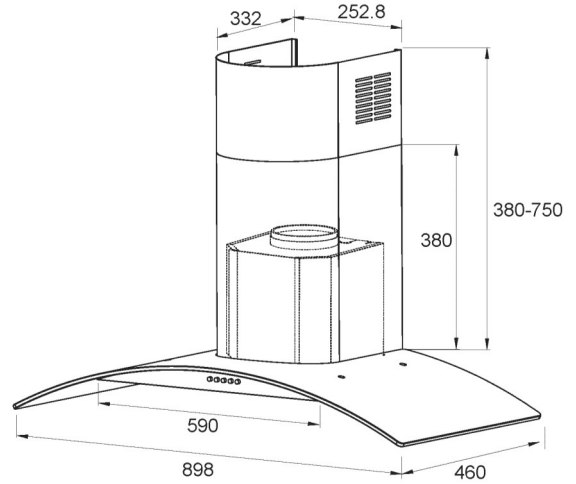
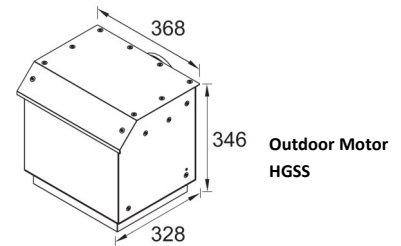
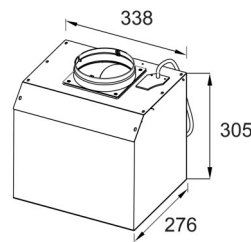


Q Series Curved Glass Rangehood 900mm – CH903GSTL-EXT



Indoor Motor
HGIX



Product Specifications*

Finish	Stainless Steel
Dimensions	898 X 460mm
Power Source	10 amp, 4m cable
Installation	Wall mounted
Flue Diameter	150mm
Max height	750mm including body
Capacity	1000m3/hr
Motor	380W motor
Noise rating	<59db (at location of motor)
Speeds	4 speed concealed LED touch controls
Filter	2 x Aluminium filters, removable and washable
Illumination	LED light bar
Options	Indoor motor (code: HGIX) Outdoor motor (code: HGSS) Remote control
Warranty	3 years on body 7 years on motor

*Specifications and product size may change without notice. Shinda International is not responsible for any errors or omissions.

All dimensions and images are for illustrative purposes and cut-outs should be based on physical product measurements.

Di Lusso recommends flexible ducting (not included) to be fully extended and excess discarded for optimal results. Always consult a professional installer for the best installation method to suit your home. Motor must be accessible for any future servicing requirements.

Q series installation options

