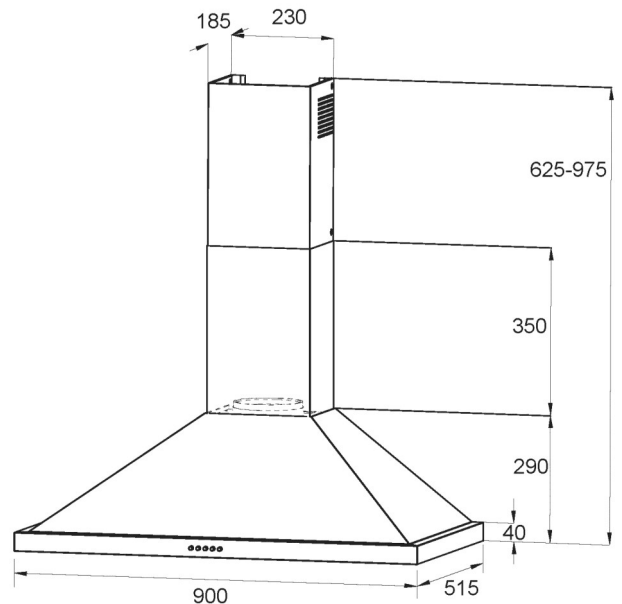


SS Canopy Rangehood 900mm – CH901SS



Product Specifications *

Finish	Stainless Steel
Dimensions	900 X 515mm
Power Source	10amp
Installation	Wall mounted
Ducting	Ducted or recirculating
Flue Diameter	150mm
Max Height	975mm including body
Capacity	750m ³ /hr
Motor	260W motor with stainless steel chassis
Noise Rating	<59dB
Speeds	3 speed soft touch controls
Filter	3 x Aluminium filters, removable and washable
Illumination	2 x LED lights
Options	Charcoal Filters Interchangeable motor options
Warranty	3 years

*Specifications and product size may change without notice. Shinda International is not responsible for any errors or omissions.

All dimensions and images are for illustrative purposes and cut-outs should be based on physical product measurements.