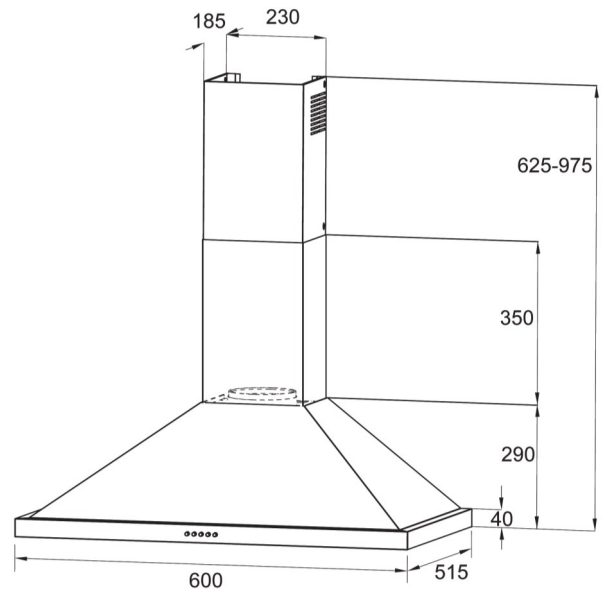


Stainless Steel Canopy Rangehood 600mm – CH601SS



Product Specifications *

Finish	Stainless Steel
Dimensions	600 X 515mm
Power Source	10amp
Installation	Wall Mounted
Ducting	Ducted or recirculating
Flue Diameter	150mm
Max Height	975mm including body
Capacity	750m ³ /hr
Motor	260W motor with stainless steel chasis
Noise Rating	<59dB
Speeds	3 speed soft touch controls
Filter	2 x Aluminium filters, removable and washable
Illumination	2 LED lights
Options	Charcoal Filters
Warranty	3 years

*Specifications and product size may change without notice. Shinda International is not responsible for any errors or omissions.
All dimensions and images are for illustrative purposes and cut-outs should be based on physical product measurements.