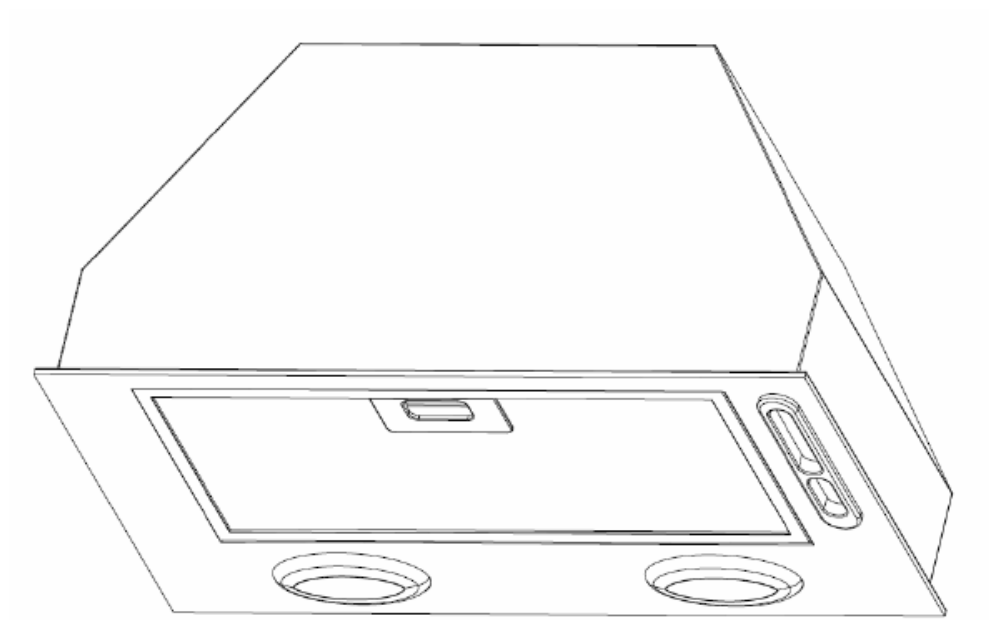


DiLUSO



Concealed Range Hood

CE620HSS/CE920HSS

Installation and Operating Manual

CONTENTS

Important Notes -----page 3

- Safety

Product Specification -----page 4

Installation Instruction -----page 5

- Equipment needed for Installation
- Prior to Product Installation
- Product Installation Location
- Ducted Mode : Ductwork Installation
- Recirculation Mode
- Mounting the Range Hood

Operating Instruction -----page 8

Cleaning and Maintenance -----page 8

- General Maintenance
- Filter Maintenance
- Replacement of LED

Marking -----page 9

Important Notes

Dear Customer

Thank you for choosing our product. To avoid the risk of accident or damage to the appliance, it is essential to read the following instructions prior to product installation and / or first time usage.

Safety!

- Do not connect the appliance if there is any obvious sign of transportation damage.
- Installation and repair should ONLY be done by qualified technical personnel.
- This product must be installed and electrically connected in accordance with current regulations. A fixed wiring installation is to be done only by an authorised electrician.
- Before maintenance or cleaning of the product, disconnect the appliance from the mains.
- For any repairs, always contact the authorised Customer Service Centre and ask for original spare parts. Repairs by untrained people may lead to damage and void the warranty.
- This appliance is not intended for use by persons (including children) with reduced physical, sensory or mental capabilities, or lack of experience and knowledge, unless they are supervised by a person responsible for their safety.
- Young children should be supervised to ensure that they do not play with the appliance.
- There is be adequate room ventilation while the range hood is in use together with other appliances.
- User is recommended to read and follow the method and frequency of cleaning and maintenance.
- There is a risk of catching fire if cleaning is not carried out in accordance with the instructions.
- Exhaust air must not be discharged to an existing flue which is used for exhausting fumes from gas burning appliances or other fuels.

Power Connection:

THE APPLIANCE MUST BE CONNECTED IN ACCORDANCE WITH CURRENT ELECTRICAL RULES AND REGULATIONS. INSTALLATION IS TO BE DONE ONLY BY AN AUTHORISED ELECTRICIAN.

WARNING: THIS APPLIANCE MUST BE EARTHED

Means for disconnection must be incorporated in the fixed wiring in accordance with the wiring rules.

The manufacturer shall not liable for any direct or indirect damage caused by faulty installation. The installer must ensure that the product installation and connection complies with the local and general regulations in force.

Product Specification:

Voltage / Frequency : 220 – 240Vac / 50Hz

Rated Motor Power : 250W

Filter : Aluminium and/or Charcoal (optional)

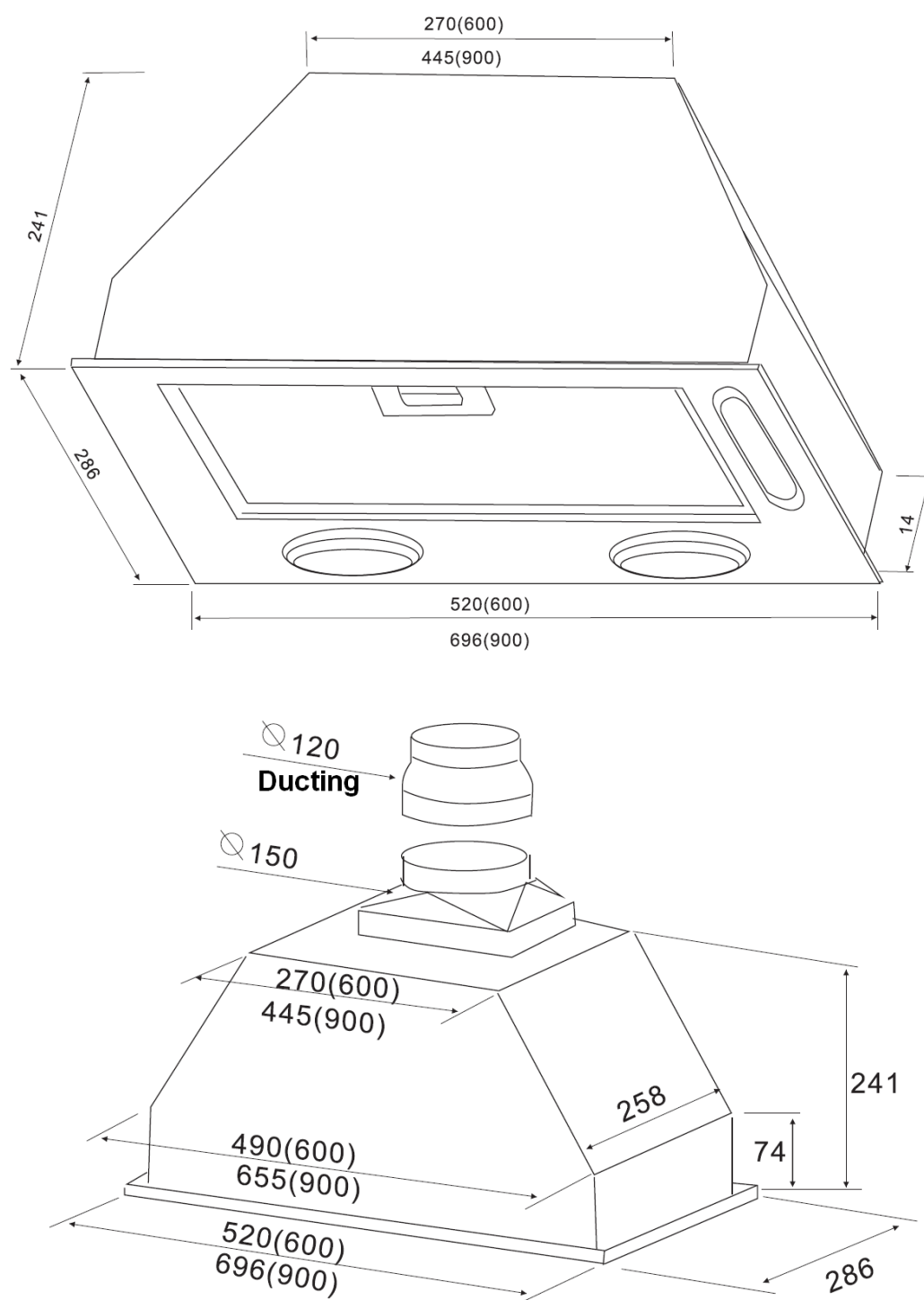
Lighting : GU10 LED 220-240V 2W

External Dimension :

Note: All dimensions are in mm

(600) relates to range hood model CE620HSS

(900) relates to range hood model CE920HSS



Complete product comes with the following

- 1 x range hood body
- 1 x front panel
- 1 x \varnothing 150mm ducting adaptor
- 1 packet of fasteners and wall plugs

Installation Instruction

Equipment needed for installation:

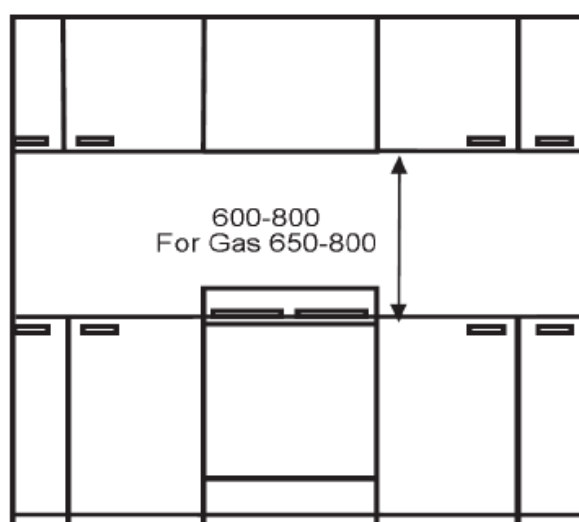
- Electric drill
- Screwdriver
- Measuring tape
- Spirit level
- Duct tape (for ductwork installation)
- Jigsaw (for ductwork installation)

Prior to Product Installation

- Make sure that the product power switch is OFF prior to installation.
- Stainless steel panel could be damaged during installation if being knocked by tools. Protect the range hood with the cardboard during installation.
- A power outlet should be not more than 1500mm away from the range hood installation location.
- This range hood can be installed in ducted or recirculation mode.
- Ø150mm and Ø120mm ducting adapters are supplied. Other ducting accessories are not provided by the manufacturer.
- Ductwork installation must comply with local requirements and building codes.

Installation Location

When installing range hood, the lower edge of the unit must have a minimum of 600mm (650mm for gas cooker) distance above the cooking range. The recommended position for the hood is 650mm above the hotplates.

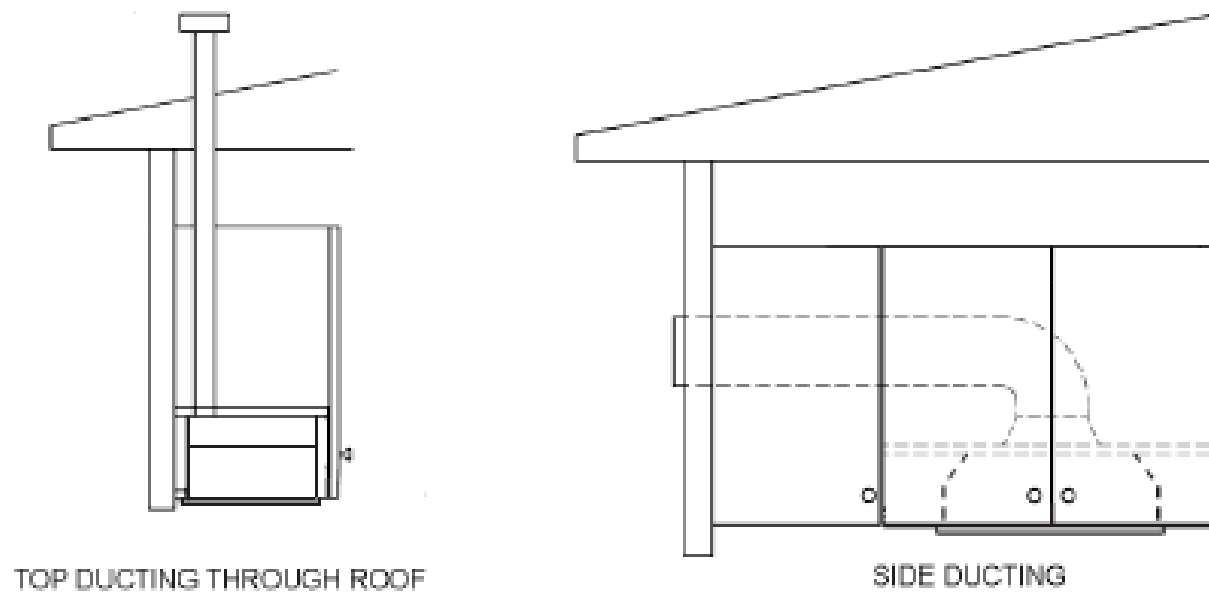


Note:

The range hood installation shall comply with the minimum distance mentioned above or the distance specified in the gas hob instruction manual, whichever is higher. Any installation above 750mm will compromise the range hood performance.

Ducted Mode: Ductwork Installation

Ductwork should be planned carefully before drilling and cutting the duct. Manufacturer suggests $\varnothing 150\text{mm}$ duct pipe for all common ducting configurations, which is, duct into a ceiling cavity or roof space. In case this is in contradiction with any local requirements and building codes, the installer must ensure that the product installation and connection complies with the local and general regulation in force.

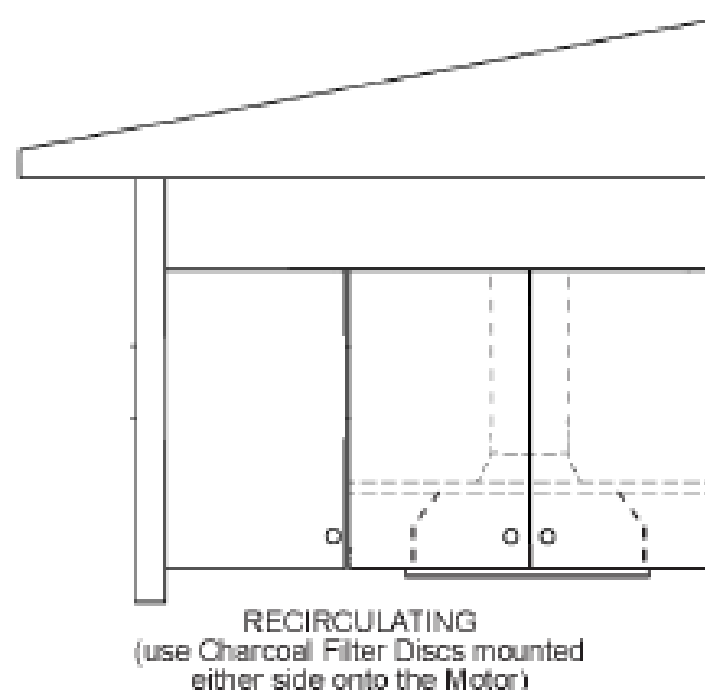


$\varnothing 150\text{mm}$ duct pipe is recommended, however, a reducer from $\varnothing 150\text{mm}$ to $\varnothing 120\text{mm}$ is provided should $\varnothing 120\text{mm}$ be required.

Extra pipe and/or bends may be needed, depending on the length required and if there is any structure in the run e.g. rafters.

Recirculation Mode

This unit can be installed to operate in recirculation mode when ducting is not chosen. Ensure that the top ducting outlet is not obstructed. Even a partial obstruction will restrict the range hood efficiency. When installed as recirculation mode, recommend adding charcoal filters to range hood to operate in recirculation mode.



Mounting the Range hood

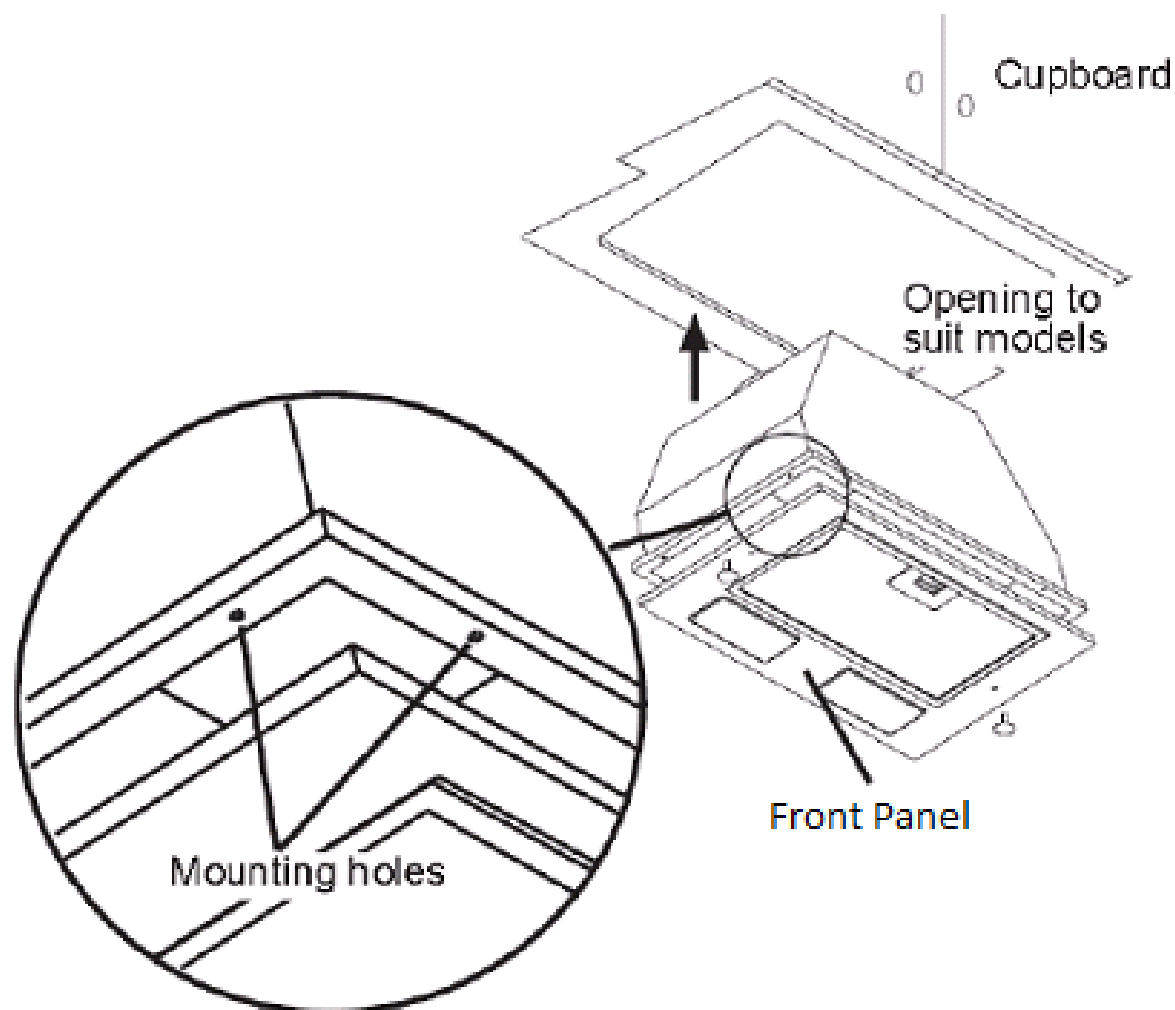
Fit the ducting adaptor to the range hood by using the short screws supplied.

Provide an appropriate opening at the cupboard underside.

<u>Model</u>	<u>Opening Dimension</u>
CE620HSS	490mm x 260mm
CE920HSS	668mm x 260mm

Remove the front panel of the range hood by undoing the two visible screws located on both side-ends. Eight mounting holes around the unit then are accessible.

Lift the range hood and fit it to the cupboard opening made. Secure the unit by using long screws supplied. After that, refit the front panel, then fit the two lights.



Operating Instruction

Control Panel

Light

The lighting can be turned ON/OFF independently by pressing the switch button without relying on the range hood fan status.

Fan

The fan is turned ON/OFF by pressing the fan switch button. The fan can run at three different speeds (Speed 1 / Speed 2 /Speed 3).

Cleaning and Maintenance

Caution: Prior to cleaning or maintenance, always disconnect the power supply.

Do not use a steam cleaner.

General Maintenance

In order to have your range hood retain its new appearance; regular cleaning and care should be performed to protect the stainless steel finishes.

Never use gritty or abrasive sponges. Stainless steel cleaners and protectors are recommended. Stubborn stains can be removed by soaking in hot water, standard stains can be removed by applying a clean cloth soaked in soapy water before spillage becomes cold or dries up. Acid materials like milks, vinegar, citrus etc can damage the stain resistant surfaces.

Note : Use only damp cloth to clean the stainless steel panel with printed words and labels. Stainless steel cleaners and similar products may remove the print.

Warning: a build-up of oil may occur if the range hood is not cleaned regularly

Filter Maintenance

To maintain the range hood efficiency, filters should be cleaned regularly (approximately monthly), and washed using warm soapy water or in the dishwasher.

Note: Frame discolouration may occur if the filter is washed in a dishwasher.

Range hoods fitted with charcoal filters are designed to remove grease and odours from cooking vapours before the cleansed air re-entering the kitchen (range hood in recirculation mode). Charcoal filters should be replaced every two to four months depending on range hood usage.

Note: Fully saturated charcoal filters can become a barrier to air movement therefore limiting range hood performance

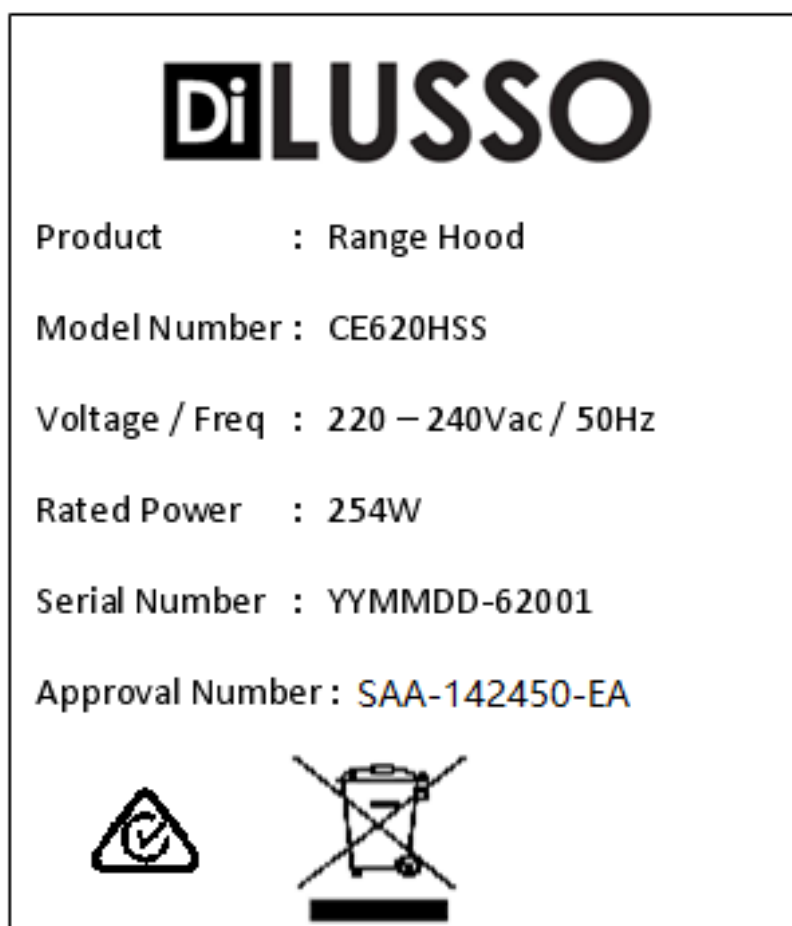
efficiency. In any event, grease laden filters could be flammable and catch fire easily. Therefore regular replacement is recommended. In ducted installation, conventional Aluminium filter is recommended.

Replacement of GU10 LED light

To replace the LED bulb, first disconnect the range hood from the power supply. Remove the GU10 lamp from socket in anti-clockwise rotation. Replace the 2W LED bulb with new one.

Marking

CE620HSS



CE920HSS

