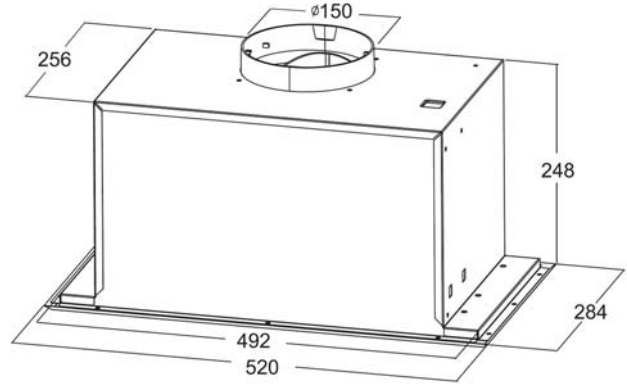


Concealed rangehood—520mm

Model: CE528BP



* Specifications and product size may change without notice. Shinda Australia is not responsible for any errors or omissions. All dimensions and images are for illustrative purposes and cut-outs should be based on physical product measurements.

Product Specifications*

Finish	Black
Dimensions	520(W) x 284mm(D) (product)
Power Source	10 amp
Installation	Undermount
Ducting	Ducted or recirculating
Flue diameter	150mm
Capacity	800m ³ /hr
Motor	290 watt motor
Noise rating	< 69db
Speeds	3 speed mechanical controls
Filter	1 x black aluminium filter, removable and washable
Illumination	2 x 1.5W LED bulbs
Options	Charoccal filters
Warranty	3 years

10/2023