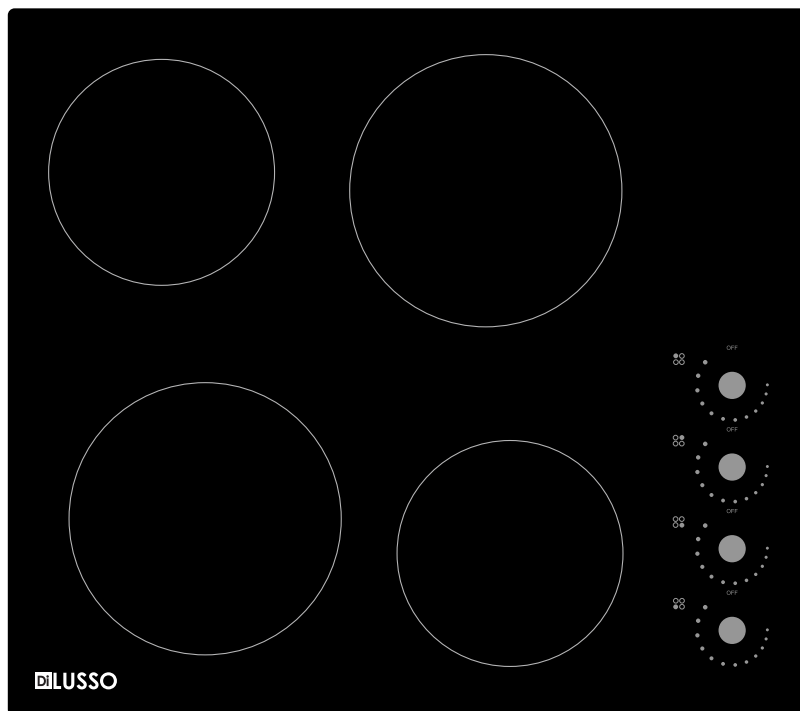


DiLUSO

Ceramic Hob CC604MK



Installation and Operating Manual

Contents

1. Important Notes

Safety Warnings.....	3
----------------------	---

2. About the Ceramic Hob

Product Overall Look.....	6
---------------------------	---

Control Panel.....	6
--------------------	---

Technical Specification.....	7
------------------------------	---

3. Operating Instructions..... 8

4. Cooking Tips..... 8

5. Cleaning & Maintenance..... 9

6. Troubleshooting..... 9

7. Installation Instructions.....10

Dear User : This booklet contains advices for user, description, and commands as well as the correct procedures for cleaning and maintaining the appliance.

Dear Installer : This booklet is for qualified technicians who must install the appliance and set it functioning. Please keep this booklet for the user.

1. Important Notes

Dear Customer

Thank you for choosing our product. This appliance is easy to use; however please read this handbook carefully before installing and operating it. Herein, you will find the correct method of installation and tips for best use and maintenance of the product.

Do save this Installation and Operating Manual for future reference.

Safety Warnings

Your safety is important to us. Please read this information before installing and using your cooktop.

Installation

Electrical Shock Hazard

- Before carrying out repairs or maintenance on it, disconnect the appliance from the mains electricity supply.
- This appliance wiring system must be earthed – it is essential and mandatory.
- All electrical wiring system must be carried out by a qualified electrician.
- Failure in carrying this out is dangerous and may result in electrical shock and lead to serious consequences.

Cut Hazard

- Panel edges are sharp, be careful
- Failure to use caution could result in injury or cuts.

Important safety instructions

- Read these instructions carefully before installing or using this appliance.
- Do not place combustible material or products on this appliance at any time.
- In order to avoid a hazard, this appliance must be installed according to these instructions for installation.
- This appliance is to be properly installed and earthed only by a suitably qualified person.
- Please ensure this manual is available for the person carrying out the installation, to avoid any potential hazards to the installer, the user and also damage to the appliance or the home electrical system.
- This appliance should be connected to a circuit which incorporates an isolating switch providing full disconnection from the power supply.
- Failure to install the appliance correctly could invalidate any warranty or liability claims.

Operation and Maintenance

Electrical Shock Hazard

- Do not use if the ceramic glass cooktop is broken or cracked. If the cooktop breaks or forms a crack, immediately switch off the electrical power supply (isolation switch) and contact the service centre.
- Switch off the electrical power supply (isolation switch) before cleaning or maintenance.
- Failure in carrying this out is dangerous and may result in electrical shock and lead to serious consequences.

Hot Surface Hazard

- During use, accessible parts of this appliance will become hot enough to cause burns be careful not to touch them until the surface cools down.
- Do not place any items other than suitable cookware contact the ceramic glass until the surface is cool.
- Careful not to place metallic objects such as knives, forks, spoons and lids on the hob surface as they can get hot.
- Keep children away.
- Handles of saucepans may be hot to touch. Check saucepan handles do not overhang over other cooking zones.
- Failure to follow this advice may result in burns and scalds.

Important safety instructions

- Never leave the appliance unattended when in use. Boil over causes smoking and greasy spillovers that may ignite.
- Never use your appliance as a work or storage surface.
- Never leave any objects or utensils on the appliance.
- Never use your appliance for warming or heating the room.
- After use, always turn off the cooking zones and the cooktop as described in this manual Do not allow children to play with the appliance or sit, stand, or climb on it.
- Do not store items of interest to children in cabinets above the appliance. Children climbing on the cooktop could be seriously injured.
- Do not leave children alone or unattended in the area where the appliance is in use.
- Children or persons with a disability which limits their ability to use the appliance should have a responsible and competent person to instruct them in its use. The instructor should be satisfied that they can use the appliance without danger to themselves or their surroundings.
- Do not modify or replace any part of the appliance.
- All servicing should be done by a qualified technician.
- Do not use a steam cleaner to clean your cooktop.

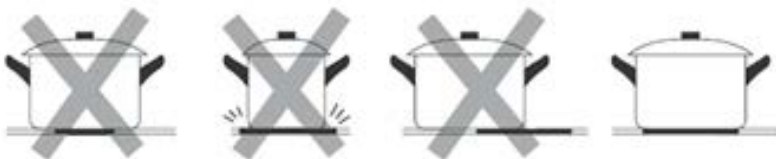
- Do not place or drop heavy objects on your cooktop.
- Do not stand on your cooktop.
- Do not use pans with jagged edges or drag pans across the ceramic glass surface as this can scratch the glass.
- Do not use scourers or any other harsh abrasive cleaning agents to clean your cooktop, as these can scratch the ceramic glass.
- If the supply cord is damaged, it must be replaced by the manufacturer, its service agent or similarly qualified persons in order to avoid a hazard.
- This appliance is intended to be used for domestic or similar applications such as: -staff kitchen areas in shops, offices and other working environments; -farm houses; -by clients in hotels, motels and other residential type environments; -bed and breakfast type environments.
- **WARNING:** The appliance and its accessible parts become hot during use.
- Children less than 8 years of age shall be kept away unless continuously supervised.
- This appliance can be used by children aged from 8 years and above and persons with reduced physical, sensory or mental capabilities or lack of experience and knowledge if they have been given supervision or instruction concerning use of the appliance in a safe way and understand the hazards involved.
- Children shall not play with the appliance. Cleaning and user maintenance shall not be made by children without supervision.
- **WARNING:** Unattended cooking on a hob with fat or oil can be dangerous and may result in fire. **NEVER** try to extinguish a fire with water, but switch off the appliance and then cover flame e.g. with a lid or a wet towel or wet blanket.
- **WARNING:** Danger of fire: do not store items on the cooking surfaces.
- **WARNING:** If the ceramic glass surface is cracked or any part of the electrical insulation is torn or damaged, immediately switch off the appliance to avoid the possibility of electric shock.
- The appliance is not intended to be operated by means of an external timer or separate remote-control system.

Choosing the correct Cookware

Do not use cookware with a jagged or curved base.



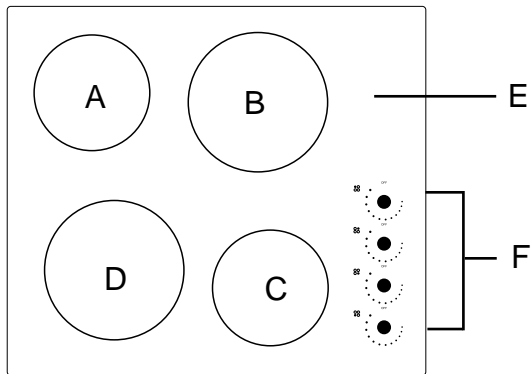
Make sure that the base of your pan is smooth, sits flat on the glass and is the same size as the cooking zone. Always centre your pan on the cooking zone.



Always lift pans off the ceramic hob – do not slide, or they may scratch the glass.

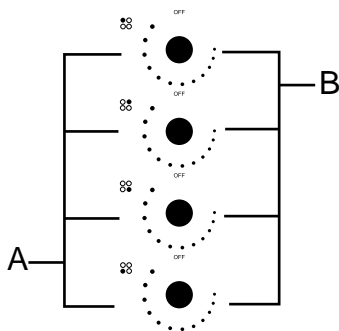


2. About the Ceramic Hob



- A – Single cooking zone 1200W
- B – Single cooking zone 1800W
- C – Single cooking zone 1200W
- D – Single cooking zone 1800W
- E – Ceramic glass cooktop
- F – Knob control

Control Panel



- A – Residual heat warning
- B – Power regulating knob

Product Information

The ceramic cooker hob centers on meeting customers different cooking demands. The hob has safe and reliable performances, making your life comfortable and enabling to fully enjoy the pleasure from life.

Working Principle

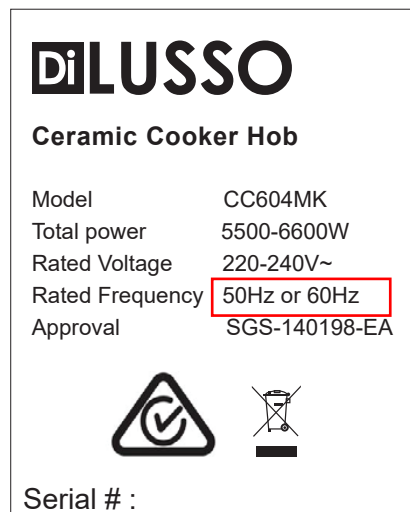
This ceramic cooker hob employs the use of resistance wire heating elements and adjusts the output power by the power regulation with knob controls.

Before using your New Ceramic Hob

- Read this guide, taking special note of the 'Safety Warnings' section.
- Remove any protective film that may still be on your ceramic hob.

Technical Specification

Product	CC604MK
Cooking Zones	4 Single Zones
Supply Voltage	220-240V~ 50Hz or 60Hz
Installed Electric Power	5500W-6600W
Product Size W×D×H (mm)	590 X 520 X 55 mm
Cutout Dimensions W×D (mm)	560 X 490 mm



3. Operating Instructions

Start cooking

- A suitable pan is placed on the desired cooking zone. Make sure that the bottom of the pan and the surface of the cooking zone are clean and dry.
- Turn the knob of the zone that the pan is put on in clockwise direction to adjust the power level.
- Heat setting can be adjusted any time during cooking.

Finish cooking

- After cooking is done, turn the cooking zone knob anti-clockwise to “OFF” position.



Beware of hot surfaces

When the ceramic cooktop is hot, the residual heat warning LED will light up next to the respective zone section control. Don't touch the glass plate until the indicator goes out. It can also be used as an energy saving function if you want to heat further pans, use the hotplate that is still hot.

4. Cooking Tips

Take care when frying as the oil and fat heat up very quickly. At extremely high temperatures oil and fat will ignite spontaneously and this presents a serious fire risk.

- The bottom of the pan must be thick and perfectly flat
- To avoid scratching of the cooking hob, never use cast-iron pans or pans with a rough bottom
- When food comes to the boil, reduce the power level setting.
- Using a lid will reduce cooking times and save energy by retaining the heat.
- Minimize the amount of liquid or fat to reduce cooking times.
- Start cooking on a high setting and reduce the setting when the food has heated through.

The table below indicates the heat level and the cooking operation. Setting may vary depending on the amount of food and personal taste.

Power Level	Operation
1	To melt butter, chocolate etc
2 - 3	To warm small amount of food, gentle simmering, slow warming, and whip up sauces with egg yolk or butter
4 - 5	To heat solid or liquid food, keep small amount of water boiling, thaw deep-frozen food, cook omelet of 2 or 3 eggs, rapid simmering, cooking rice
6 - 7	To stew meat, fish and vegetables, simmer food, make jams, etc; pancakes
8 - 10	To roast meat, fish, steaks, and liver; to sauté meat, fish, eggs, etc; cooking pasta
11-12	To deep fry potatoes, etc and to boil water quickly

5. Cleaning & Maintenance

Before any cleaning or maintenance done, switch off the power supply.

The hob should be cleaned regularly, preferably after use every time, when the residual heat indicator has gone off.

For everyday soiling on glass such as fingerprints, marks, stains left by food or non-sugary spillovers, smudges from aluminium-bottom pans, clean the hob with a cloth damped in vinegar or cooktop cleaner. Rinse and dry the glass with a clean cloth or paper towel.

For boil over's, melts, and hot sugary spills or any burnt residues on the glass, remove them with a scraper suitable for ceramic glass, rinse with water and wipe it dry with a clean cloth. Regular use of scraper could reduce the need for chemical detergents during daily hob cleaning.

Never use abrasive or corrosive detergents, e.g. cleaning powders, oven sprays, spot-removers, wire sponges.

Never leave cleaning residue on the cooktop.

NEVER USE A STEAM JET TO CLEAN THE APPLIANCE

6. Troubleshooting

Problem	Possible causes	What to do
The hob does not work	The hob is not wired in or mains is not switched on. There is a power failure.	Make sure the ceramic hob is connected to the power supply and the mains is switched on. Check on the power supply. If everything is checked and the problem persists, contact the customer service hotline.
The glass is scratched.	Used of rough-edged cookware. Unsuitable, abrasive scourer or cleaning products being used.	Use cookware with flat and smooth bases. Refer to the Choosing the correct cookware section. Never use abrasive or corrosive detergents, e.g. cleaning powders, oven sprays, spot-removers, wire sponges
Some pans make crackling or clicking noises.	This may be caused by the construction of the cookware (layers of different metals expanding differently).	This is normal for cookware and does not indicate a fault.
Smokes coming out from the hob	The hob is dirty Food has spilled over	Clean the hob after cooking is finished and hob is cool down. User a larger pan

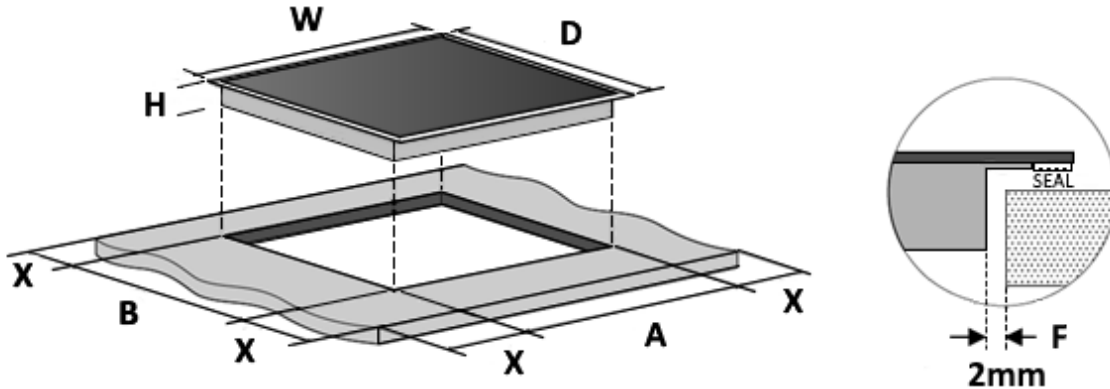
7. Installation Instructions

Worktop cutout

The worktop has to be of heat-resistant material.

Ensure there is a minimum of 50mm worktop space on all sides of the hole.

Cut out the worktop according to the sizes shown in the diagram below.

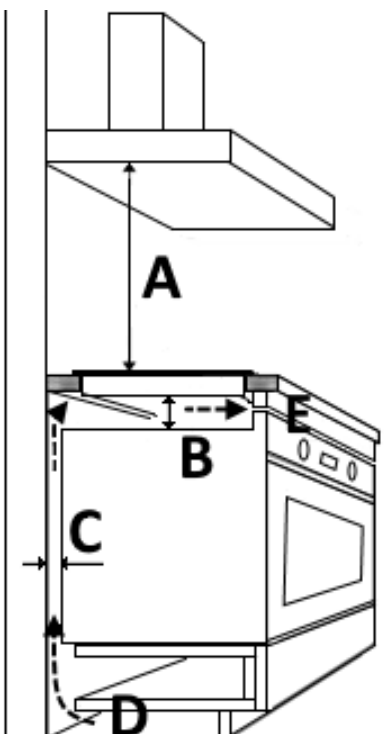


W(mm)	D(mm)	H(mm)	A(mm)	B(mm)	X(mm)	F(mm)
590	520	55	564	494	50 min.	2



Ensure a safety gap of 2mm between the sides of the hob and the cutout of the worktop.

Ventilation



To be able to function optimally and last a long time, the ceramic cooker hob is to be installed in good a working environment. Provide for adequate ventilation as shown in the diagram beside.

A(mm)	B(mm)	C(mm)	D	E
760	50 min.	20 min.	Air intake	Air outlet – 5mm



The minimum safe distance between the hotplate and the cupboard or hood above the hotplate is 700mm.



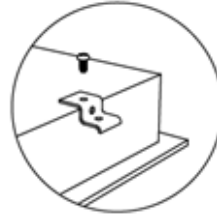
Ensure the ceramic cooker hob is well ventilated and the air inlet and outlet are not blocked.



Ensure the furniture materials, rear wall and adjacent walls are able to resist temperatures of up to 150°C.

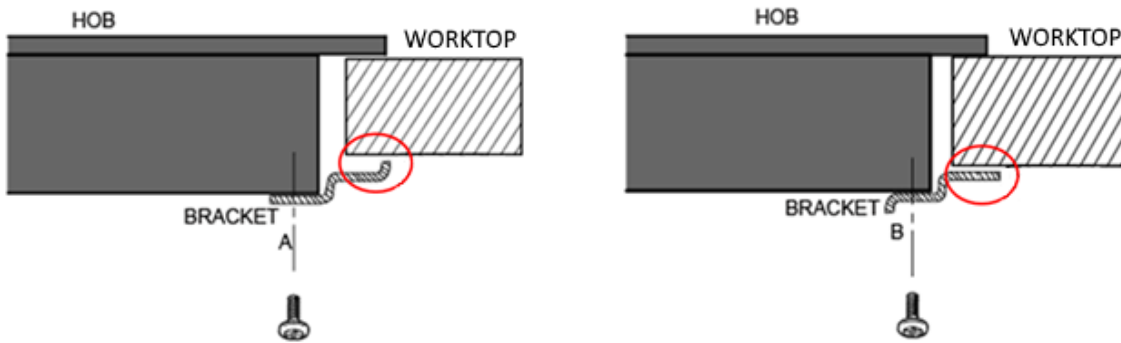
Installing the fixing brackets

The unit should be placed on a stable, smooth surface (use the packaging). Ensure the control knobs line up over the edge of the table to prevent damaging it. Place the screw into the bracket and screw in only partially into the screw holes on the hob base. Tighten fully once after the hob has been placed and aligned on the worktop properly.



A	Screw
B	Fixing Bracket
C	Screw Hole
D	Hob Base

Adjust the bracket orientation to cater for different worktop thickness.



Ensure the brackets do not touch or come to rest on the cutout face of the worktop after installation.

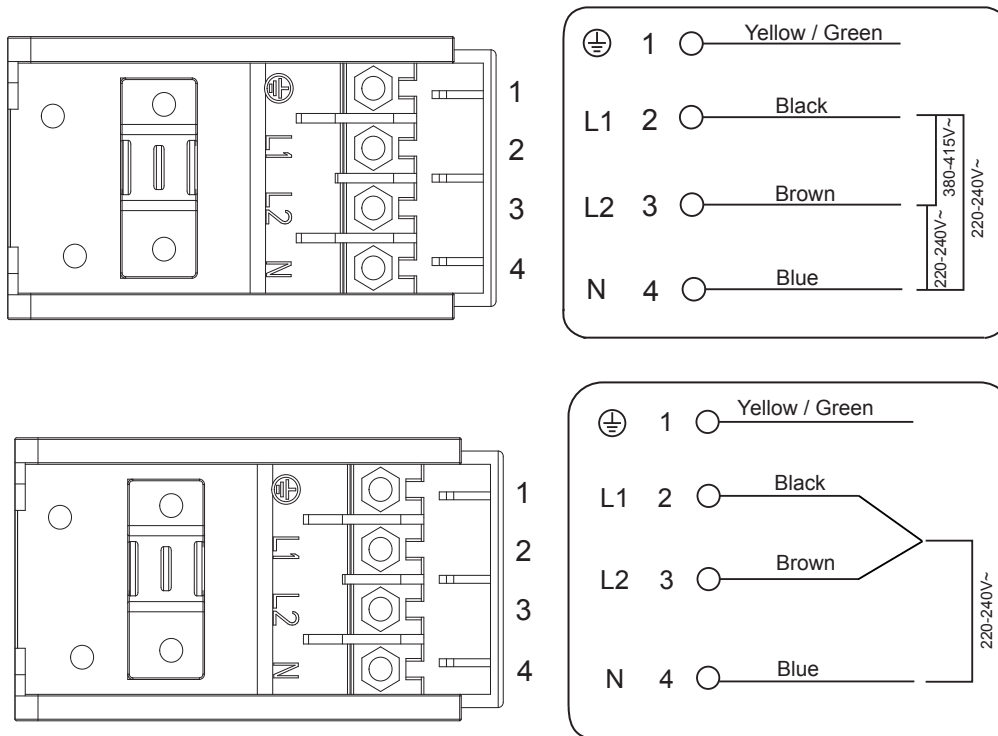
Electrical Connection

The manufacture shall not liable for any direct or indirect damage caused by faulty installation. The installer must ensure that the product installation and connection complies with the local and general regulation in force.

IMPORTANT! THE APPLIANCE MUST BE CONNECTED IN ACCORDANCE WITH CURRENT ELECTRICAL RULES AND REGULATIONS. INSTALLATION IS TO BE DONE ONLY BY AN AUTHORISED ELECTRICIAN.

WARNING! THIS APPLIANCE MUST BE EARTHED.

IMPORTANT! AN ISOLATION CIRCUIT BREAKER SWITCH WITH SUITABLE AMPERAGE MUST BE INCORPORATED IN THE FIXED WIRING.



Warnings

1. The ceramic cooker hob must be installed by qualified personnel or technicians.
2. The ceramic cooker hob cannot be installed over cooling equipments, dishwashers and dryers.
3. The ceramic cooker hob shall be installed such as to facilitate good heat dissipation to ensure optimal performance and enhance its reliability.
4. The wall and induced heating zone above the work surface shall withstand heat.
5. Adhesive joining of the cabinets such as laminates and its edgings has to be able to withstand temperatures up to 120°C to avoid deformations or peeling.
6. Do not clean using steam cleaners.
7. All fixed wirings should be correctly done, well insulated and protected or concealed.
8. The cable must be checked regularly. If the cable is damaged or needs replacing, this should be done by a qualified technician.
9. Ensure a minimum gap of 3mm between the connection contacts.
10. The cable must not be bent or compressed.
11. The installer must ensure that the correct electrical connection has been made and that it complies with safety regulations.

Environment Care

Recycle the packaging materials that have the recycling symbol. Put them in the relevant recycling containers according to the material.

This appliance is classified according to European directive 2002/96/EC on Waste Electrical and Electronic Equipment (WEEE). When disposing of old appliances, dispose them at a proper recycling facility. They will handle the disposal in a proper and safe manner in compliance with environmental and local authority regulations.

Help preserve the environment.