

- GB -



Environment and recycling

Please help us to protect the environment by disposing of the packaging in accordance with the national regulations for waste processing.

Recycling of obsolete appliances

Appliances with this label must not be disposed off with the general waste. They must be collected separately and disposed off according to local regulations.

- I -



Tutela dell'ambiente e riciclaggio

Affinché il vostro apparecchio non subisca danni durante il trasporto, esso è stato imballato con cura. Per contribuire alla tutela del nostro ambiente, vi chiediamo di smaltire in modo appropriato il materiale utilizzato per l'imballaggio dell'apparecchio.

Smaltimento degli apparecchi usati

Gli apparecchi che recano il contrassegno riportato a fianco non devono essere smaltiti insieme ai rifiuti urbani, ma vanno raccolti e smaltiti separatamente. Lo smaltimento degli apparecchi usati va eseguito a regola d'arte, in conformità con le prescrizioni e leggi vigenti localmente in materia.

- NL -



Milieu en recycling

Wij verzoeken u ons bij de bescherming van het milieu behulpzaam te zijn. Verwijder de verpakking daarom overeenkomstig de voor de afvalverwerking geldende nationale voorschriften.

Recycling van oude toestellen

Toestellen met dit kenmerk horen niet thuis in de vuilnisbak en zijn apart in te zamelen en te recyclen. De recycling van oude toestellen moet steeds vakkundig en volgens de ter plaatse geldende voorschriften en wetgeving plaats vinden.

- F -



Environnement et recyclage

Nous vous demandons de nous aider à préserver l'environnement. Pour ce faire, merci de vous débarrasser de l'emballage conformément aux règles nationales relatives au traitement des déchets.

Collecte et recyclage des produits en fin de vie

Les appareils munis de ce symbole ne doivent pas être mis avec les ordures ménagères, mais doivent être collectés séparément et recyclés. La collecte et le recyclage des produits en fin de vie doivent être effectués selon les dispositions et les décrets locaux.

- D -



Entsorgung von Altgeräten in Deutschland

Geräte mit dieser Kennzeichnung gehören **nicht** in die Restmülltonne und sind getrennt zu sammeln und zu entsorgen.

Die Hersteller sorgen im Rahmen der Produktverantwortung für eine umweltgerechte Behandlung und Verwertung der Altgeräte.

Im Rahmen des Elektro- und Elektronikgerätegesetzes (ElektroG) und zum Schutz unserer Umwelt ist eine **kostenlose Rückgabe bei Ihrer kommunalen Sammelstelle** möglich.

- E -



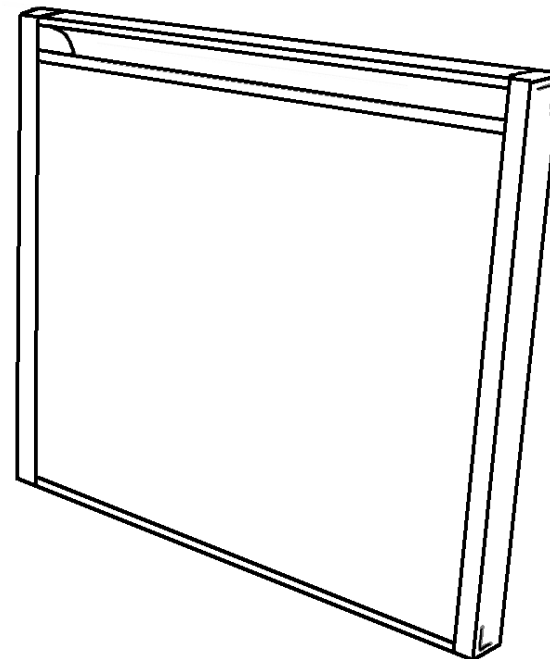
Medio ambiente y reciclaje

Ayúdenos a proteger el medio ambiente eliminando el embalaje con arreglo a la legislación nacional sobre tratamiento de residuos.

Eliminación de aparatos viejos

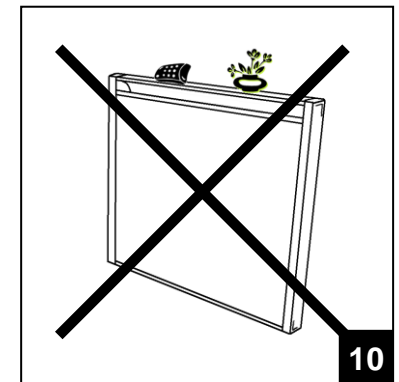
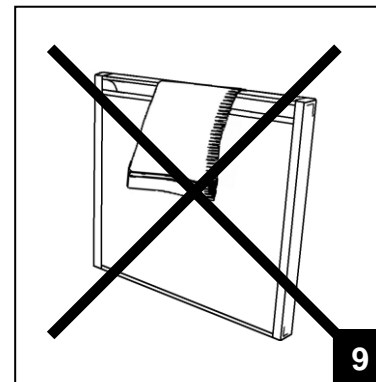
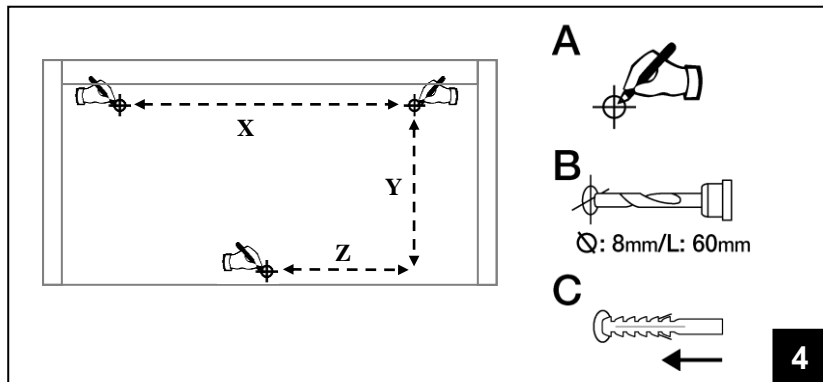
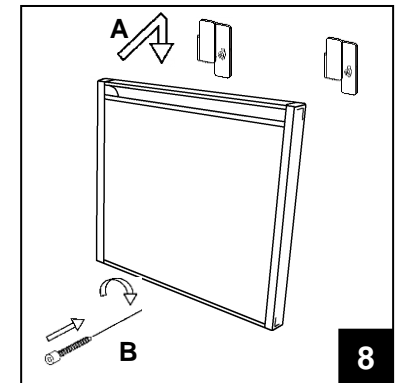
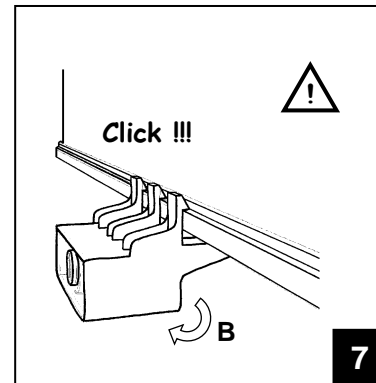
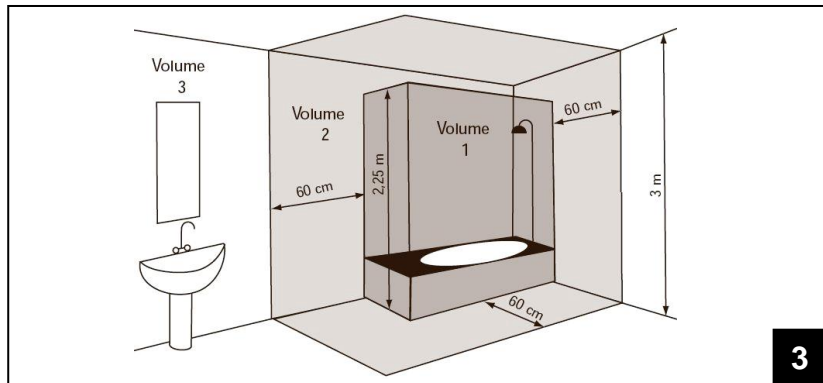
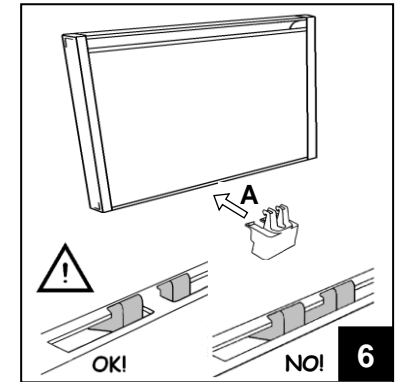
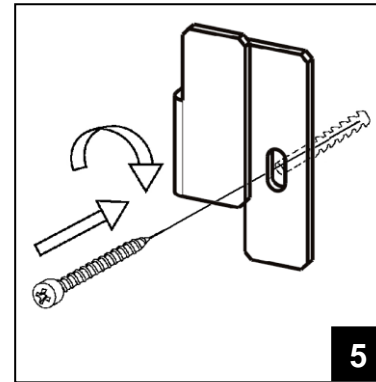
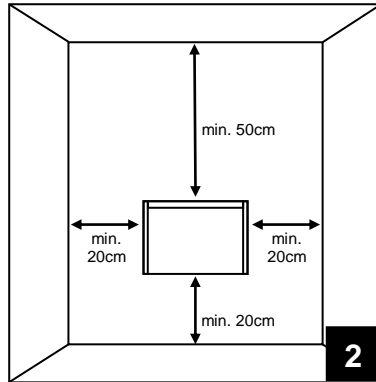
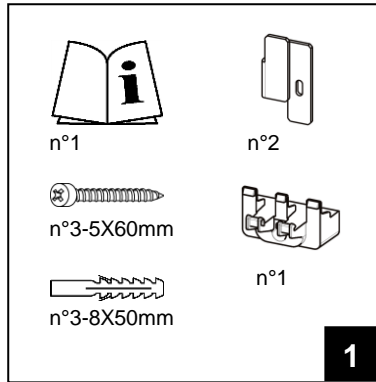
No tirar los aparatos que lleven esta identificación junto con la basura no clasificada. Se deben recoger y eliminar de forma especial. La eliminación de aparatos viejos se debe realizar de forma adecuada y competente, de acuerdo con las normas y leyes locales vigentes.

PLANO



- Please retain these instructions in a safe place for future reference.
- Si prega di conservare con cura questo libretto di istruzioni per future consultazioni.
- Bewaar deze gebruiksaanwijzing zorgvuldig voor toekomstig gebruik.
- Conserver cette notice pour toute consultation ultérieure.
- Es wird gebeten, diese Gebrauchsanleitung für ein zukünftiges Nachschlagen sorgfältig aufzubewahren.
- Conservar las instrucciones de uso.

PLANO_5/270608



ENGLISH

OPERATING INSTRUCTIONS

Before operating the heater, please read these instructions thoroughly to avoid damage and hazardous situations. Any use of this heater other than that stipulated in this instruction manual may cause fire, electric shock or injury, and voids all warranties.

Warranty does not apply to any defect, deterioration, loss, injury or damage caused by, or as a result of, the misuse or abuse of this heater. The rights dictated by State law are not prejudiced. None of the terms of this warranty are to be taken as excluding any conditions or warranties implied by State law, which cannot be excluded or modified.

Before any operation remove the packaging and check product integrity. In case of defects or damages do not try to repair it yourself but contact your dealer.

Do not let children play with the packaging and protect the environment by disposing of the packaging in accordance with the national regulations for waste processing.

1. Your product

- Other than the heater you have chosen the package includes (picture 1):
 - N° 2 metal brackets for wall mounting;
 - N° 1 plastic brackets for wall mounting;
 - N° 3 nylon plug expansion 8x50mm;
 - N° 3 5x60mm cross head screws to fix wall brackets;
- Refer to your dealer if something is broken or missing.

2. For your safety

- Make sure that the mains power supply matches the rated input: 230V AC, 50Hz.
- Never allow animals or children to play with or touch the product. Attention! The panel may become very hot while it is working (approximately 80°C = 176°F);
- WARNING: In order to avoid overheating, do not cover the heater.** Do not hang anything on the heater and do not cover it while it's working. This is clearly written on the cover of the product or shown by the symbol



- This product may not be used by people (children included) with reduced physical, sensorial or mental capacities, or with inadequate experience and knowledge, unless they are under the supervision of a person responsible for their safety or have been suitably instructed by the latter. Children must be supervised to ensure they do not play with the product.
- To prevent overheating, never cover the product inappropriately (pictures 9 and 10).
- Do not use the product in rooms saturated with explosive gas, vapours generated by solvents or paints or flammable vapours/gas.
- If the cable and/or plug are damaged, do not repair them yourself but take the product to the technical service or a qualified repair centre and have them repaired by specialised personnel in order to avoid any risk of damage.
- Always position the product so that the plug is immediately accessible.
- Never position this appliance immediately underneath a power socket.

3. Safe positioning

- Only use the product in its horizontal position;
- This product is fitted with a double electrical insulation circuit (class II) and therefore does not require an earth connection;

- Always make observe the minimum distances from walls, furniture and/or objects, as indicated in picture 2.
- Never install the product on a surface made from wood or synthetic material.
- This product is water resistant to IP24. It may therefore be used in bathrooms or other areas subject to humidity provided it is never installed within the perimeter of bathtubs or showers (Volume 1 of figure 2).
- It must never be possible for people in the bath tub or shower to reach the adjustment knobs.

4. Installation

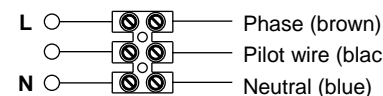
- After carefully reading section 3, proceed with installation following the sequence shown in figures 4 to 8.
- Distances indicated in picture 4 are:

Model	X (mm)	Y (mm)	Z (mm)
PLANO45	Min 270 - Max 340	535	165
PLANO65	Min 400 - Max 500	535	265
PLANO95	Min 600 - Max 800	535	463

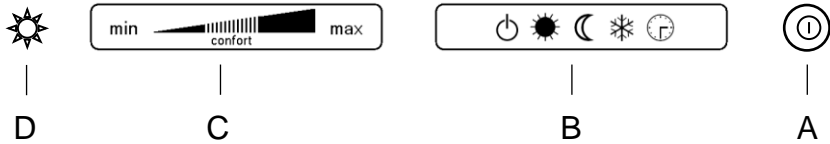
- Placing metal wall brackets keep in mind that the right bracket must be located in the lodging realised in the control box of the product. Warning: if you do not respect this instruction the product may be instable!**
 - If installation becomes complicated due to the imperfect alignment of the holes, adjust the position of the wall brackets by loosening the screw a little and moving the connector vertically.
 - Fixing the lower bracket(s) in a different position compared to above reported distances is not recommended! Placing bracket(s) in a different position may endanger product resistance to knocks. Always mind to insert the lower bracket(s) between two following openings and newer totally inside only one to prevent side movements (picture 6).

5. Electrical connections

- The product must be powered at a voltage of 230V AC 50Hz.
- The product must be supplied with a cable and plug or with a cable for installation. If a product with plug is installed in France, connect it to the mains power supply by cutting off the plug and using a suitable connection box.
- If the product is supplied with a cable for installation, connect it to the mains power supply using a 3-wire cable (Brown=Live, Blue=Neutral, Black=Pilot wire) and a connection box. **If you do not wish to use the pilot wire functions, just connect the phase and the neutral wires: the product will work correctly even without the external programmer.**
- In bathrooms, kitchens or other humid areas, install the connection terminal at least 25cm off the floor.
- The electrical connection to the mains power supply must also include a 2-pole switch with a minimum contact aperture of 3mm. As a priority, always abide you national wiring rules.
- It is forbidden to connect the appliance to the earth circuit. **DO NOT CONNECT THE PILOT WIRE (BLACK) TO THE EARTH CIRCUIT.**
- If the product is powered through a 30mA differential switch, make sure the pilot wire is also controlled by the differential switch.



6. Using the product



- The product is fitted with a main on/off pushbutton (A), a slider to select desired working function (B), a slider to set wished temperature (C) and a led showing the operating status (D).
- The main pushbutton (A) controls the supply of the entire product. When switched on the internal electronics is ready to be used. In case you have the optional remote control we suggest to use this button only in case you will not use the product for a long period, in all other cases is preferable to use the selector (B). Switching off the product by the pushbutton (A) causes, after about 3 hours of internal autonomy, the loss of time/day information blocking the programmed functioning until further data input.
- The main pushbutton (A) deactivates the product apart of any possible input coming from the pilot wire.
- Slider selector (B) allows to select between one of the following working set:
 - STAND-BY**
The product is supplied but heating elements are disconnected.
 - COMFORT**
The product is supplied and works depending on the temperature set with the slider (C).
 - ECO**
The product is supplied and works depending on the temperature set with the slider (C) decreased of 3,5°C.
 - FROST-FREE**
The product is supplied and thermostat set is electronically forced to $7\pm 3^{\circ}\text{C}$ (independently of temperature set with the slider (C)).
 - PROG**
Functioning depends on inputs coming from the pilot wire (black) or from the optional remote control.
- The thermostat (C) maintains the required ambient temperature by automatically turning the appliance on and off. The more the knob is moved to the right, the higher the temperature will be. The highest position of the thermostat corresponds to approximately 30°C, the bottom one to about 10°C.
To set optimum combination between room temperature and power consumption a specific range of the thermostat has been highlighted as "comfort".
In case you need a frost free selection we suggest to use the function selector (B) and set it to the "❄️" position, without moving the thermostat (C) to the minimum.
- The indicator led (D) gives different information by changing the way it lights on and exactly:
 - The light is on and red when the product is heating to reach desired temperature;
 - The light is on and yellow if the desired temperature has been reached and the product is ready to operate to comfortably maintain it to the desired value;
 - The light continuously flashes in red colour if temperature electronic sensor is broken. The product must be repaired by an authorised service only;

Using the thermostat

- In a room with a temperature in excess of 30°C, the thermostat does not turn on the appliance even if it is at maximum.
- Vice-versa, in a room with a very low temperature (below 10°C), the thermostat keeps the heater constantly on, even if it is at minimum.

- To optimise use of the thermostat, proceed as follows:
 - set the thermostat (C) to maximum and wait until a comfortable temperature is reached;
 - move the thermostat (C) to the left until functioning led (D) turns yellow;
 - move the thermostat (C) to the right for a couple of millimetres;
 - in this position, the thermostat will maintain the selected ambient temperature.

Using the pilot wire

- If the product is fitted with a power cable without plug, it can also be controlled with specific programmers. The behaviour of the product depends on the voltage applied between the pilot wire and the neutral wire, as shown in the following table:

ORDER RECEIVED	WAVE SHAPE	MODE	HEATING TEMPERATURE
NO SIGNAL		COMFORT	TEMPERATURE SET BY THERMOSTAT
COMPLETE ALTERNATING SIGNAL		ECO	3°C LOWER THAN THE TEMPERATURE SET BY THE THERMOSTAT
NEGATIVE ALTERNATING SIGNAL SEMI WAVE		ANTIFREEZE	TEMPERATURE MAINTAINED AT APPROX. 7°C
POSITIVE ALTERNATING SIGNAL SEMI WAVE		STOP	THE APPLIANCE IS SWITCHED OFF
CYCLICAL EMISSION OF A COMPLETE ALTERNATING SIGNAL $T_c=300\text{S } T_o=3\text{S}$		1°C REDUCTION	1°C LOWER THAN THE TEMPERATURE SET BY THE THERMOSTAT
CYCLICAL EMISSION OF A COMPLETE ALTERNATING SIGNAL $T_c=300\text{S } T_o=7\text{S}$		2°C REDUCTION	2°C LOWER THAN THE TEMPERATURE SET BY THE THERMOSTAT

- Note: the STOP input signal on the pilot wire will switch off the product even if the mode selector is NOT in the "PROG" mode.**

Using the remote (optional)

- The optional remote control allows to set a "comfort" or "eco" temperature for each hour of the day, all days independently.
- Operating mode could be easily switched from the remote to the pilot wire and vice-versa.
- With just one remote it is possible to transmit the same program to all the products of this series you have installed. All details about programming are included in the instruction manual of the remote control.

7. What to do in case of malfunctions

- In the event of overheating, the safety device on the appliance automatically disables the heating elements.
- The product will resume automatic operation as soon as the temperature returns below the safety limit.
- Attention: the functioning led will not be switched off by the operation of the safety device.

i If you notice irregular operation, damage to the heating panel or to the structure of the appliance, disconnect the product from the mains power supply and contact your technical assistance centre or dealer.

8. Maintenance

- This product does not require any special maintenance.
- Clean the product, especially the heating panel, with a dry cloth once every 6 months.
- If the product requires repairing, contact an authorised technical service centre.
- When replacing the power cable, use a 2x1.00mm² or 3x1.00mm² H05VV-F HAR type, depending on the version. This operation, for cables both with and without plugs, must be performed by qualified personnel and never by the end user in order to avoid damaging the appliance and jeopardising personal safety.

ITALIANO

ISTRUZIONI PER L'USO

Si prega di leggere attentamente queste istruzioni, prima di utilizzare il prodotto, in modo da evitare danneggiamenti o comunque il verificarsi di situazioni di pericolo. Qualsiasi utilizzo del prodotto diverso da quanto indicato nel presente manuale può causare incendi, pericoli elettrici o ferite e rende nulla qualsiasi garanzia.

La garanzia non si applica ad alcun difetto, deterioramento, perdita, ferimento o danneggiamento riconducibili ad un uso non corretto del prodotto. Rimangono garantiti tutti i diritti di legge in materia. Nessuna condizione di garanzia può escludere o modificare le condizioni di garanzia regolamentate da leggi dello Stato che non possono essere a nessun titolo escluse o modificate.

Prima di ogni operazione, rimuovere con cura l'imballo e controllare la perfetta integrità del prodotto. Nel caso si evidenziasse dei difetti o danni, non installare né cercare di riparare l'apparecchiatura, ma rivolgersi al rivenditore.

Non lasciare l'imballo alla portata dei bambini e smaltirne le parti in conformità con le disposizioni vigenti.

1. Il vostro prodotto

- Il prodotto viene fornito dotato di (figura 1):
 - N°2 staffe metalliche per l'installazione a muro;
 - N°1 distanziali in plastica;
 - N°3 tasselli in nylon da 8x50mm;
 - N°3 viti per tasselli da 5x60mm;
- Qualora il prodotto sia danneggiato o qualche accessorio mancante contattate immediatamente il vostro rivenditore.

2. Per la Vostra sicurezza

- Assicuratevi che l'alimentazione di rete corrisponda ai dati di targa: 230V AC, 50Hz.
- Non lasciate mai che animali o bambini giochino o tocchino il prodotto. Attenzione! Durante il funzionamento il pannello può diventare molto caldo (circa 80°C = 176°F);
- IMPORTANTE: per evitare surriscaldamenti non ricoprite mai il prodotto.** Non appoggiate mai alcun oggetto o coperta sull'apparecchio mentre è in funzione. Questo è chiaramente scritto sull'apparecchio o illustrato dal simbolo



- Questo prodotto non deve essere utilizzato da persone (bambini inclusi) con capacità fisiche, sensoriali o mentali ridotte, o con inadeguata esperienza e conoscenze, che non siano sotto la supervisione di una persona responsabile per la loro sicurezza o che non siano da essa stati adeguatamente istruiti. I bambini devono essere sorvegliati per assicurarsi che non giochino con il prodotto.
- Per evitare surriscaldamenti non ricoprite mai il prodotto in modo improprio (fig. 9 e10).
- Non utilizzate il prodotto in stanze sature di gas esplosivi, di vapori generati da solventi e vernici o comunque di vapori/gas infiammabili.
- Se il cavo e/o la spina sono danneggiati e devono essere riparati, non eseguite questa operazione da soli, riportate il prodotto presso il centro di assistenza tecnica, o comunque in un centro di riparazioni qualificato, perché è richiesto l'intervento di personale specializzato al fine di evitare qualunque rischio di danneggiamento.
- Il prodotto deve essere posizionato in modo tale che la presa di alimentazione sia sempre raggiungibile.
- Non collocate mai questo apparecchio immediatamente al di sotto di una presa di corrente elettrica.

3. Posizionamento sicuro

- Utilizzate il prodotto solo in posizione orizzontale;
- Il prodotto è costruito in doppio isolamento elettrico (classe II) e, pertanto, non richiede il collegamento di terra;
- Fate sempre attenzione affinché siano rispettate le distanze minime da pareti, mobili e/o oggetti riportati in figura 2.
- Non installate mai il prodotto su superfici di legno o di materiale sintetico.
- Il prodotto ha un grado IP24 di protezione all'acqua. Può pertanto essere utilizzato nei bagni o nei luoghi umidi ma mai installato all'interno del perimetro di vasche o docce (Volume 1 di figura 3).
- Le manopole di regolazione non devono in nessun caso essere accessibili da parte di persone che siano all'interno della vasca da bagno o della doccia.

4. Installazione

- Dopo aver letto attentamente le avvertenze di cui al precedente paragrafo 3 procedete al fissaggio rispettando la sequenza illustrata nelle figure da 4 a 8.
- Le misure di cui alla figura n° 4 sono:

Modello	X (mm)	Y (mm)	Z (mm)
PLANO45	Min 270 - Max 340	535	165
PLANO65	Min 400 - Max 500	535	265
PLANO95	Min 600 - Max 800	535	463

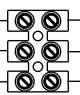


- i** - Nel posizionamento degli attacchi tenete sempre in considerazione che la staffa di destra deve obbligatoriamente essere inserita nella sede ricavata all'interno della scatola comandi del prodotto. **Attenzione: un posizionamento differente potrebbe rendere il prodotto instabile!**

- Qualora il montaggio sia reso complicato dal non perfetto allineamento dei fori, regolate la posizione degli attacchi a muro svitando leggermente la vite e spostando l'attacco in direzione verticale.

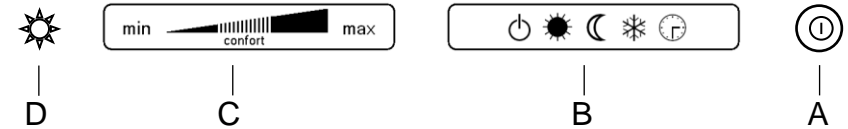
- Si sconsiglia di posizionare il supporto inferiore in posizione diversa da quella sopra indicata. Posizionamenti differenti possono compromettere la resistenza del prodotto agli urti. In ogni caso inserire sempre il supporto fra 2 feritoie consecutive e mai all'interno di una sola fessura in modo da impedire movimenti laterali del prodotto (fig. 6).

5. Collegamenti elettrici

- Il prodotto deve essere alimentato con la tensione di 230V AC 50Hz.
- Il prodotto può essere fornito dotato di cavo con spina oppure di cavo per l'installazione. Nel caso un prodotto con spina debba essere installato in Francia, il collegamento elettrico con la rete di alimentazione deve essere eseguito tagliando la spina in dotazione e utilizzando una apposita scatola di connessione.
- Quando il prodotto viene fornito con il cavo per l'installazione, il collegamento deve essere effettuato usando un cavo a 3 fili (Marrone=Fase, Blu=Neutro, Nero=Filò pilota) e una scatola di connessione. **Se non si desidera utilizzare le funzionalità del filo pilota limitarsi al collegamento della fase e del neutro: il prodotto funzionerà correttamente anche senza la presenza del programmatore esterno.**
- In locali umidi, nei bagni o nelle cucine, il morsetto di collegamento deve essere installato ad almeno 25cm dal pavimento.
- Il collegamento elettrico con la rete deve inoltre prevedere l'utilizzo di un interruttore bipolare con una distanza minima di apertura fra i contatti di almeno 3mm. Rispettate sempre in modo prioritario le regole di installazione vigenti nel vostro paese.
- La connessione di terra è vietata. **NON COLLEGATE A TERRA IL FILO PILOTA (NERO).**
- Se il prodotto deve essere alimentato attraverso un interruttore differenziale da 30mA di sicurezza, accertarsi che anche il filo pilota sia sotto il controllo dell'interruttore differenziale.

- L  Fase (marrone)
-  Filo Pilota (nero) – **NON CONNETTERE LA TERRA**
- N  Neutro (blu)

6. Uso del prodotto



- Il prodotto è dotato di un interruttore generale (A), di un selettore per l'impostazione della funzione desiderata (B), di un comando per la regolazione della temperatura ambiente (C) e di una spia luminosa di funzionamento (D).
- L'interruttore generale (A) controlla l'alimentazione dell'intero prodotto; Quando il pulsante viene premuto l'elettronica di controllo è pronta per essere utilizzata. Nel caso si utilizzi il telecomando opzionale, si consiglia di spegnere questo interruttore solo qualora si preveda di non utilizzare il prodotto per lunghi periodi. E' preferibile ricorrere invece al selettore (B) in tutti gli altri casi poiché l'azionamento dell'interruttore (A) provoca, superata una autonomia di circa 3 ore, la perdita delle informazioni relative al giorno e all'ora compromettendo il funzionamento programmato.
- L'interruttore generale (A) disattiva il prodotto indipendentemente da qualsiasi comando possa essere inviato tramite il filo pilota.
- Il selettore di funzionamento (B) permette di scegliere fra una delle seguenti modalità:



STAND-BY

Il prodotto è alimentato ma gli elementi riscaldanti sono disattivati.



COMFORT

Il prodotto è alimentato e funziona in dipendenza della temperatura impostata con il selettore (C).



ECO

Il prodotto è alimentato e funziona in dipendenza della temperatura impostata con il selettore (C) diminuita di 3,5°C.



ANTI-GELO

Il prodotto è alimentato e la temperatura del termostato è forzata a 7±3°C indipendentemente dalla posizione del selettore (C).



PROG

Il funzionamento è regolato dagli impulsi applicati al filo pilota (nero) oppure dalla programmazione trasmessa tramite il telecomando opzionale.


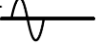
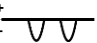

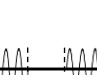
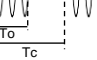
- Il termostato (C) mantiene la temperatura ambiente desiderata accendendo e spegnendo automaticamente l'apparecchio. Più il selettore viene spostato verso destra, più la temperatura assicurata sarà elevata. La posizione massima del termostato corrisponde a circa 30°C, quella minima a circa 10°C. Per impostare una ottimale combinazione fra temperatura ambiente e consumi energetici è stata evidenziata una specifica zona di regolazione contraddistinta con la dicitura "comfort". Qualora si desideri regolare il prodotto per la protezione antigelo si consiglia di non portare il selettore (C) al minimo ma di agire direttamente sul comando (B) impostandolo sulla funzione ❄️.
- La spia luminosa (D) fornisce differenti informazioni di funzionamento in base alla modalità di accensione e precisamente:
 - Il led è acceso e di colore rosso quando il prodotto riscalda per raggiungere la temperatura ambiente desiderata;
 - Il led è acceso e di colore giallo quando la temperatura ambiente desiderata è stata raggiunta e il prodotto è pronto a riscaldare per un suo confortevole mantenimento;
 - Il led lampeggia di colore rosso quando il sensore elettronico della temperatura è danneggiato. Il prodotto deve essere riparato da un centro di assistenza qualificato.

Uso del termostato

- In una stanza ove la temperatura supera i 30°C è normale che il termostato, anche se posizionato al massimo, non accenda il prodotto.
- Viceversa, in una stanza con una temperatura troppo bassa (sotto i 10°C) è normale che il termostato mantenga l'apparecchio continuamente acceso, anche se posizionato al minimo.
- Per regolare al meglio il termostato consigliamo questa procedura:
 - posizionate il termostato (C) al massimo e fate funzionare l'apparecchio sino al raggiungimento di una temperatura confortevole;
 - spostate il selettore verso sinistra fino a quando il led di funzionamento (D) non diventa giallo;
 - traslate di qualche millimetro il selettore (C) verso destra;
 - in questa posizione il termostato manterrà la temperatura ambiente che avete prescelto.

Uso del filo pilota

- Se dotato di cavo di connessione senza spina il prodotto può essere anche comandato attraverso specifici programmatori. Il comportamento del prodotto dipende dalla tensione applicata fra il filo pilota e il neutro secondo la seguente tabella:

ORDINE RICEVUTO	FORMA D'ONDA	MODALITÀ OTTENUTA	TEMPERATURA DI RISCALDAMENTO
ASSENZA DI SEGNALE		COMFORT	TEMPERATURA IMPOSTATA DAL TERMOSTATO
ALTERNATA COMPLETA		ECO	ABBASSAMENTO DI 3°C RISPETTO ALLA TEMPERATURA IMPOSTATA DAL TERMOSTATO
SEMIONDA NEGATIVA DEL SEGNALE ALTERNATO		ANTI GELO	MANTENIMENTO DELLA TEMPERATURA A CIRCA 7°C
SEMIONDA POSITIVA DEL SEGNALE ALTERNATO		ARRESTO	L'APPARECCHIO VIENE SPENTO
EMISSIONE CICLICA DI UN SEGNALE ALTERNATO COMPLETO Tc=300S To=3S		RIDUZIONE DI 1°C	ABBASSAMENTO DI 1°C RISPETTO ALLA TEMPERATURA IMPOSTATA DAL TERMOSTATO
EMISSIONE CICLICA DI UN SEGNALE ALTERNATO COMPLETO Tc=300S To=7S		RIDUZIONE DI 2°C	ABBASSAMENTO DI 2°C RISPETTO ALLA TEMPERATURA IMPOSTATA DAL TERMOSTATO

- Nota: Il segnale di arresto applicato al filo pilota provoca lo spegnimento del prodotto anche se il selettore di modo non è in posizione "PROG".**

Uso del Telecomando (opzionale)

- Il telecomando opzionale consente di definire una temperatura "comfort" o "eco" di funzionamento per ogni ora del giorno, per ogni giorno della settimana.
- La modalità di funzionamento può essere facilmente cambiata da telecomando a filo pilota e viceversa.
- Con un solo telecomando è possibile trasmettere la medesima programmazione a tutti i prodotti della serie acquistati; Tutte le informazioni di dettaglio per la programmazione vengono fornite insieme al telecomando.

7. Sicurezza in caso di funzionamento anormale

- In caso di surriscaldamento il sistema di protezione dell'apparecchio disattiva automaticamente gli elementi riscaldanti.
- Il funzionamento del prodotto riprenderà automaticamente non appena la temperatura sarà scesa al di sotto dei limiti di sicurezza.
- Attenzione: l'intervento del protettore termico non causa lo spegnimento del led di funzionamento.

i Se notate un funzionamento anormale, il danneggiamento del pannello riscaldante o della struttura dell'apparecchio, scollegate il prodotto dalla presa di corrente e contattate il servizio di assistenza od il vostro rivenditore.

8. Manutenzione

- Questo prodotto non richiede particolare manutenzione.
- Vi raccomandiamo di pulire il prodotto ogni 6 mesi ed in particolare modo il pannello riscaldante utilizzando un panno asciutto.
- Qualora sia necessario riparare il prodotto contattate un centro di assistenza autorizzato.
- Se deve essere sostituito il cavo di alimentazione ricordatevi che deve obbligatoriamente essere utilizzato un cavo tipo 2x1.00 mm² 3x1.00mm² H05VV-F HAR in funzione della versione acquistata. Questa operazione, sia per i cavi dotati di spina che non, deve essere eseguita da personale qualificato e mai dall'utente finale in modo da prevenire ogni rischio di danneggiamento e possibile pericolo.

FRANÇAIS

MODE D'EMPLOI

Avant d'utiliser le radiateur, lisez attentivement les instructions afin d'éviter tout danger ou d'utilisation inappropriée de l'appareil. Toutes utilisations autres que celles décrites dans cette notice seront considérées comme dangereuses et risquent de causer des incendies, des chocs électriques ou des blessures et ne seront pas couverts par la garantie.

La garantie ne s'applique pas en cas de défaut, détérioration, dommages causés en raison d'un usage impropre ou d'un abus dans l'utilisation du radiateur. Vous pouvez disposer de droits reconnus par la loi de votre pays. Aucune disposition de la présente garantie ne peut avoir pour effet d'exclure quelque garantie ou droit reconnu d'ordre public par la législation de votre pays.

Avant toute opération, otez l'emballage du produit et vérifiez si l'appareil n'est pas endommagé. En cas de défaut, de choc ou de dommage, n'essayez pas de réparer l'appareil vous-même et contactez votre revendeur.

Ne laissez pas les enfants jouer avec les emballages et protégez l'environnement en jetant les cartons et les calages dans les endroits appropriés pour le recyclage.

1. Votre appareil

- Dans le carton de l'appareil, vous devez trouver :
 - 2 fixation métalliques pour la fixation au mur;
 - 1 fixation plastiques pour la fixation au mur;
 - 3 cheville à expansion en nylon 8x50mm
 - 3 vis 5x60mm
- Contactez votre revendeur s'il vous manque des pièces.

2. Pour votre sécurité

- Cet appareil est un radiateur, qui ne doit servir qu'à cette fonction.
- Vérifiez si la tension du secteur est la même que celle de l'appareil. 230V AC, 50Hz.
- Ne laissez jamais les enfants ou les animaux domestiques toucher ou jouer avec l'appareil. Attention ! Lorsque l'appareil est en fonction, le panneau est parfois très chaud (80°C = 176°F env.)
- ATTENTION : afin d'éviter toute surchauffe, ne couvrez pas l'appareil.** Il est clairement inscrit sur l'appareil NE PAS COUVRIR ou le symbole ci dessous



- Cet appareil n'est pas prévu pour être utilisé par des personnes (y compris enfants) dont les capacités physiques, sensorielles ou mentales sont réduites, ou des personnes dénuées d'expérience ou de connaissance, sauf si elles ont pu bénéficier, par l'intermédiaire d'une personne responsable de leur sécurité, d'une surveillance ou d'instruction préalable concernant l'utilisation de l'appareil
- Pour éviter le risque de surchauffe, ne recouvrez jamais l'appareil de façon impropre (image 9 et 10).
- N'utilisez pas cet appareil dans des atmosphères saturées en gaz explosifs, en vapeurs produits par des solvants ou des peintures, ni en vapeurs/gaz inflammables.
- Si le câble d'alimentation est endommagé, il doit être changé par le fabricant, son service de maintenance ou une personne de qualification similaire afin d'éviter un danger.
- Placez l'appareil de façon à ce que la prise de courant soit toujours accessible.
- Ne placez jamais cet appareil juste en-dessous d'une prise de courant.

3. Emplacement sûr

- N'utilisez l'appareil qu'en position verticale.
- L'appareil dispose d'une double isolation électrique (classe II) et ne nécessite donc d'aucune mise à la terre.
- Respectez toujours scrupuleusement les distances minimales du mur, des meubles et/ou objets illustrés par la figure 2.
- Ne montez jamais l'appareil sur des surfaces en bois ou en matériaux synthétiques.
- L'appareil a un degré d'imperméabilité IP24. Vous pouvez donc l'utiliser dans les salles de bains et les pièces humides mais vous ne devez jamais l'installer dans le périmètre des baignoires ou douches (Volume 1 de la figure 2).
- Les appareils de chauffage susceptibles d'être utilisés dans les salles de bains doivent être installés de façon telle que les interrupteurs et autres dispositifs de commandes ne puissent pas être touchés par une personne qui se trouve dans la baignoire ou la douche.

4. Installation

- Lisez avec attention les avertissements du paragraphe 3 ci-dessus avant de procéder à la fixation en suivant les instructions illustrées par les figures 4 à 8.
- Les distances indiquées dans la figure 4 sont :

Modèle	X (mm)	Y (mm)	Z (mm)
PLANO45	Min 270 - Max 340	535	165
PLANO65	Min 400 - Max 500	535	265
PLANO95	Min 600 - Max 800	535	463



- placez les fixations murales en gardant à l'esprit qu'elles doivent se loger dans la rainure située sur l'arrière de l'appareil (dont une fixation dans le boîtier de commande) ATTENTION : si vous ne placez pas correctement les fixations, l'appareil peut être instable.
- Si le montage s'avère difficile à cause du mauvais alignement des trous, ajustez la position des fixations murales en dévissant légèrement la vis et en déplaçant la fixation verticalement.
- Installez la fixation plastique inférieure de façon cohérente avec les fixations supérieures (à mi-distance environ par rapport aux deux autres fixations supérieures) Une mauvaise installation de la fixation plastique peut altérer la résistance au choc de votre radiateur. Insérer la fixation dans l'emplacement prévu à cet effet (voir figure 6).

5. Branchements électriques

- L'appareil doit être alimenté en 230V AC 50 Hz.
- L'appareil peut être fourni avec un câble muni de fiche ou d'un câble pour installation. Si l'appareil muni de fiche doit être installé en France, pour effectuer le branchement électrique sur le secteur il vous faut couper la fiche et utiliser une boîte de connexion adéquate.
- Si l'appareil est fourni avec un câble pour installation, effectuez le branchement avec un câble à 3 fils (Marron = Phase, Bleu = Neutre, Noir = Conducteur pilote) et une boîte de connexion. **Si vous ne voulez pas utiliser les fonctionnalités du fil pilote, il vous suffit de brancher la phase et le neutre. L'appareil fonctionnera correctement même sans programmeur extérieur. IL EST RECOMMANDÉ DE FAIRE INTERVENIR UN ELECTRICIEN PROFESSIONNEL OU TOUT AUTRE PERSONNE AYANT LES QUALIFICATIONS NECESSAIRES POUR L'INSTALLATION**
- Dans les pièces humides, les salles de bains ou les cuisines, installez la borne de branchement à 25 cm minimum du sol.
- Le branchement électrique sur le secteur doit aussi prévoir un interrupteur bipolaire, avec une distance minimum d'ouverture entre les contacts de 3 mm.
- Le branchement à la terre est interdit. **NE PAS BRANCHER LE FIL PILOTE (NOIR) À LA TERRE.**
- Si l'appareil piloté est protégé par un différentiel 30mA (ex : salle de bain), il est nécessaire de connecter l'alimentation du fil pilote sur ce différentiel.

L ○ ———— Phase (marron)

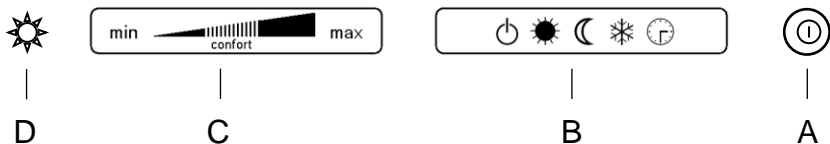
○ ———— Fil pilote (noir) —

N ○ ———— Neutre (bleu)






NE PAS BRANCHER LE FIL PILOTE (NOIR) A LA TERRE



6. Usage de l'appareil



- L'appareil est muni d'un bouton interrupteur (A); d'un sélecteur pour choisir le mode de fonctionnement (B), d'un curseur pour la température d'ambiance souhaitée (C) et d'un témoin lumineux indiquant le type de fonctionnement de l'appareil (D).
- le bouton principal (A) contrôle l'alimentation électrique de l'appareil. En position appuyée, l'appareil est prêt à fonctionner. Dans le cas d'une utilisation de l'appareil avec la télécommande (en option), nous vous conseillons d'utiliser ce bouton qu'en cas de période de non-utilisation prolongée, sinon il est préférable d'utiliser seulement le sélecteur (B). Si le bouton interrupteur (A) est éteint, après 3 heures, la programmation est perdue.
- Dans le cas où le bouton (A) est désactivé, l'appareil ne peut pas être contrôlé par le fil pilote.
- Le sélecteur (B) permet de choisir les modes suivants :

-  **Mode VEILLE**
L'appareil est sous tension mais ne chauffe pas.
-  **CONFORT**
L'appareil est sous tension et fonctionne selon la position du curseur (C) de contrôle de température.
-  **ECO**
L'appareil est sous tension et fonctionne selon la position du curseur (C) en diminuant la température de 3.5°C
-  **HORS GEL**
L'appareil est sous tension, le thermostat est programmé électroniquement sur 7±3°C (indépendamment du curseur (C)).
-  **PROG**
Le fonctionnement dépend de la programmation établie soit par le fil pilote (noir) soit par la télécommande (en option)..


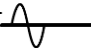
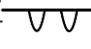
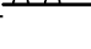

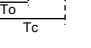
- Le thermostat (C) maintient la température ambiante souhaitée en contrôlant les périodes de chauffe de l'appareil. Plus le curseur est placé vers la droite, plus la température sera élevée. La position la plus forte du thermostat (à droite) correspond à peu près à 30°C, et la plus basse (à gauche) à 10°C.
Afin de choisir la position optimale entre la température de la pièce souhaitée et la consommation électrique de l'appareil, une plage de réglage « confort » a été inscrite sur le curseur (C). Dans le cas où vous avez besoin d'une position hors gel, nous vous conseillons d'utiliser le sélecteur de fonction (B) et choisir le mode ❄ sans changer le thermostat (C), ni le mettre au minimum.
- Le témoin lumineux (D) s'illumine de différentes façons afin de donner des informations sur le fonctionnement de l'appareil :
 - La lumière est allumée en rouge quand l'appareil chauffe pour atteindre la température souhaitée.
 - La lumière est allumée en jaune quand la température souhaitée est atteinte et que l'appareil est prêt à réguler sa puissance pour maintenir la température.
 - Le témoin clignote en rouge pour indiquer que la sonde de température est défectueuse. L'appareil doit être réparé par le service technique de votre revendeur ou par celui du fabricant seulement.

Usage du thermostat

- Dans une pièce où la température dépasse 30°C il est normal que le thermostat, même réglé sur le maximum, ne mette pas l'appareil en fonction.
- Vice et versa, dans une pièce où la température est trop basse (au-dessous de 5°C) il est normal que le thermostat maintienne sans arrêt l'appareil allumé, même s'il est réglé au minimum.
- Pour régler correctement le thermostat nous vous conseillons de procéder de la sorte :
 - réglez le thermostat (C) sur le maximum et faites fonctionner l'appareil jusqu'à ce que la température ambiante soit confortable ;
 - faites glisser le curseur du thermostat vers la gauche jusqu'à ce que le témoin lumineux (D) devienne jaune.
 - faites encore glisser légèrement (2mm) le curseur du thermostat (C) vers la droite ;
 - dans cette position le thermostat maintiendra la température ambiante que vous avez choisie.

Usage du fil pilote

- Si l'appareil est muni d'un câble de connexion dépourvu de fiche, il peut être aussi commandé par des programmeurs spéciaux. Le comportement de l'appareil dépend de la tension appliquée entre le conducteur pilote et le conducteur neutre, conformément au tableau suivant :

ORDRES REÇUS	OSCILLOSCOPE Réf/Neutre	MODE OBTENU	TEMPÉRATURE DE CHAUFFAGE
ABSENCE DE SIGNAL		CONFORT	TEMPÉRATURE CONFIGURÉE PAR LE THERMOSTAT
SIGNAL ALTERNATIF COMPLET 230V		ECO	ABAISSEMENT DE 3°C PAR RAPPORT À LA TEMPÉRATURE CONFIGURÉE PAR LE THERMOSTAT
SEMI-ONDE NÉGATIVE DU SIGNAL ALTERNATIF		HORS GEL	MAINTIEN DE LA TEMPÉRATURE À ENVIRON 7°C
SEMI-ONDE POSITIVE DU SIGNAL ALTERNATIF		STOP	L'APPAREIL EST ÉTEINT
EMISSION CYCLIQUE D'UN SIGNAL ALTERNATIF COMPLET Tc=300S To=3S		CONFORT - 1°C	ABAISSEMENT DE 1°C PAR RAPPORT À LA TEMPÉRATURE CONFIGURÉE PAR LE THERMOSTAT
EMISSION CYCLIQUE D'UN SIGNAL ALTERNATIF COMPLET Tc=300S To=7S		CONFORT - 2°C	ABAISSEMENT DE 2°C PAR RAPPORT À LA TEMPÉRATURE CONFIGURÉE PAR LE THERMOSTAT

- NOTE : le signal STOP du fil pilote éteindra l'appareil quelque soit son mode sélectionné avec le sélecteur (B)

Utilisation de la télécommande (en option) :

- La télécommande optionnelle permet de sélectionner des modes « confort » et « éco » pour chaque heure de la journée et chaque différent jour de la semaine.
- Le mode de programmation peut facilement se commuter entre le fil pilote et la télécommande.
- Avec une seule télécommande, il est possible de contrôler tous les appareils installés dans la maison avec le même programme ou avec un programme adapté à chaque pièce. Tous les détails d'utilisation de la télécommande sont décrits avec précision dans le manuel de la télécommande.

7. Sécurité en cas de fonctionnement anormal

- En cas de surchauffe le système de protection de l'appareil désactive automatiquement l'élément chauffant et interrompt ainsi le fonctionnement de l'appareil.
- L'appareil recommence à fonctionner automatiquement dès que la température superficielle descend au-dessous de la limite de sécurité.
- Attention : le témoin lumineux ne sera pas éteint par le système de protection de l'appareil.



Si vous remarquez que le fonctionnement est anormal, que le panneau chauffant ou le châssis de l'appareil sont endommagés, débranchez l'appareil de la prise de courant et adressez-vous au service après-vente ou à votre revendeur.

8. Entretien

- Cet appareil n'a besoin d'aucun entretien particulier.
- Nous vous recommandons de nettoyer l'appareil tous les 6 mois, en particulier le panneau chauffant, à l'aide d'un chiffon sec.
- Si l'appareil doit être réparé, adressez-vous à un service après-vente.
Si vous devez remplacer le câble d'alimentation n'oubliez que vous devez obligatoirement utiliser un câble de, 2 x 1.00 mm² H05VV-F HAR ou 3 x 1.00 mm² H05VV-F HAR selon la version que vous avez achetée. Qu'il s'agisse des câbles munis ou dépourvus de fiche. Si le câble d'alimentation est endommagé, il doit être changé par le fabricant, son service de maintenance ou une personne de qualification similaire afin d'éviter un danger.