

## Touchscreen thermostat installation guide (8259)

Operating ambient temperature	Voltage	Protective housing	Dimensions	Minimum wall box depth	Total Load
-5 to +50°C	230V	IP20	90mm (H) x 86mm (W) x 43mm (D)	30mm	16A

### Introduction

A conduit should be in place prior to installation. This conduit receives the sensor probe allowing it to be removed easily if necessary.


### Fixing plate

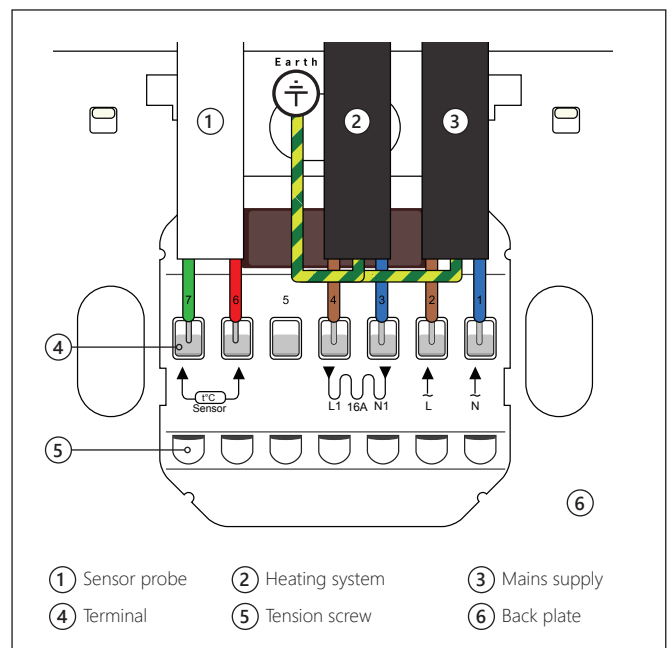
Carefully remove the white face plate and release the black steel wall plate. Simply push the steel wire clip up and the black steel wall plate will be released. Fix the black plate onto the back box with the screws supplied. Take care to ensure the plate is level.

### Wire your 8250

To install the 8259 thermostat you will need a single gang back box, at least 30mm deep. Insert the sensor probe into the back box and down through the conduit. Then connect the sensor probe, heating system and mains cable to the terminals on the 8259 (see diagram).

If installed into a metal back box, earthing of the back box is required.

 **Turn off the power before attempting any electrical work. Electrical connection should be carried out by a qualified electrical professional. Total load not to exceed 16A.**



### Assemble the thermostat

Align the thermostat with the fixing plate and push into position within the back box. Gently push the steel clip down until the thermostat locks into place. Clip the face plate into position on the front of the unit. The notch should be on the bottom of the thermostat.

### Power up

Tap "power" to turn the unit on and off. The screen will light up when on and the flame icon will appear when the unit is calling for heat. Do not turn on the underfloor heating system until all adhesives and levelling compounds have fully cured. Consult manufacturer guidelines for curing times.

### Heating modes

You can switch between Manual and Schedule mode by tapping "Menu". In Manual you can set a desired target temperature using the up and down arrows. In Schedule mode the 8259 will follow your preset heating schedule.

See the easy setup guide or user guide for more information on how to program your heating schedule and advanced settings.

