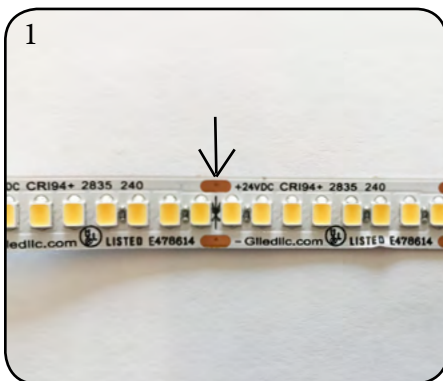
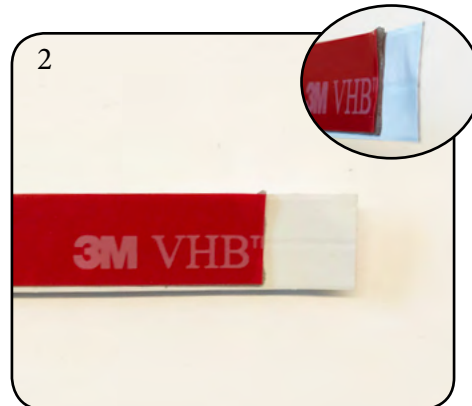


High Density LED Strip Light Connection Guide

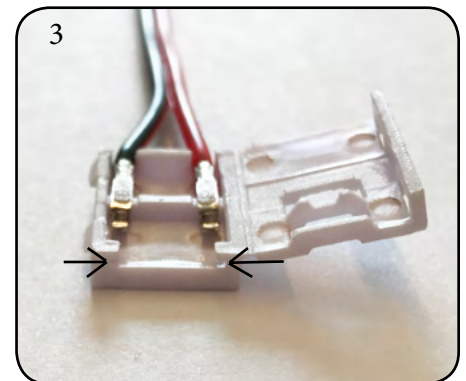
This connector can be apply to PRO-W (Model: 3528-240-xxxxK)
LEGEND-W (Model: 2835- 240-xxxxK)



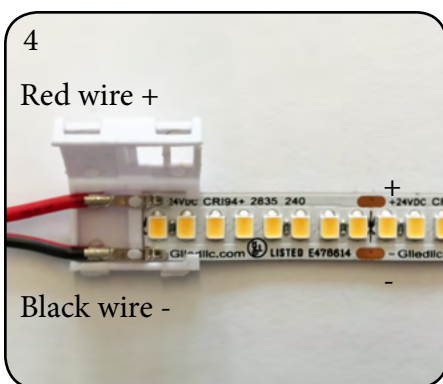
1
Cut exactly at the copper point guide line.



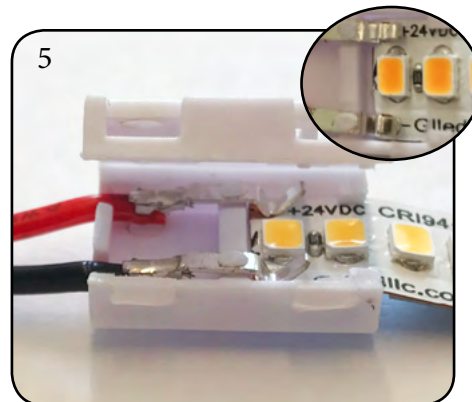
2
Remove part of the sticky tape at the back of the strip light.



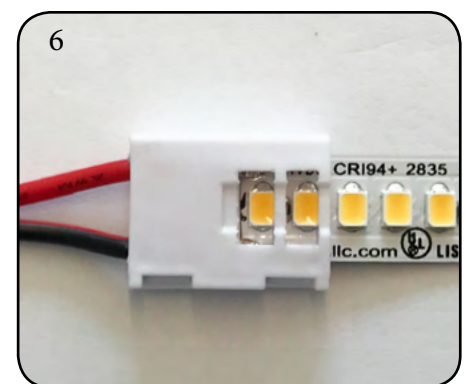
3
Slide the strip to the track of the connector.



4
Red wire +
Black wire -
Make sure Red wire is matching the + of the strip light and Black is to the -.



5
Slide the strip light all the way in to the connector's end, so that the electric point is touching with the strip light + and - on the strip light.



6
Close the cover of the connector until you hear the "click" sound to secure the connection.