

# Swimming Pool Strip Light - SWP-2216-100-Single Color



This LED strip light designed for swimming pools is durable and flexible, featuring a minimum bending diameter of 120mm. It uses 24VDC power input and can be easily connected to drivers with effortless installation. It is a perfect option for both swimming pool and outdoor applications.

## Features

- Top bending; bright light emission along the bent surface.
- IP68 waterproof rating; can be submerged at a maximum depth of 2 meters (6.5 feet) in water.
- Made with soft and flexible PVC extrusion, resistant to chloride ingress.
- Chlorine resistant.
- Maximum run length of 32.8'.
- Dimmable with PWM, forward phase, triac, 0-10V, MLV, and ELV.
- 50,000h long lifespan with 3 years limited warranty.
- UL listed.



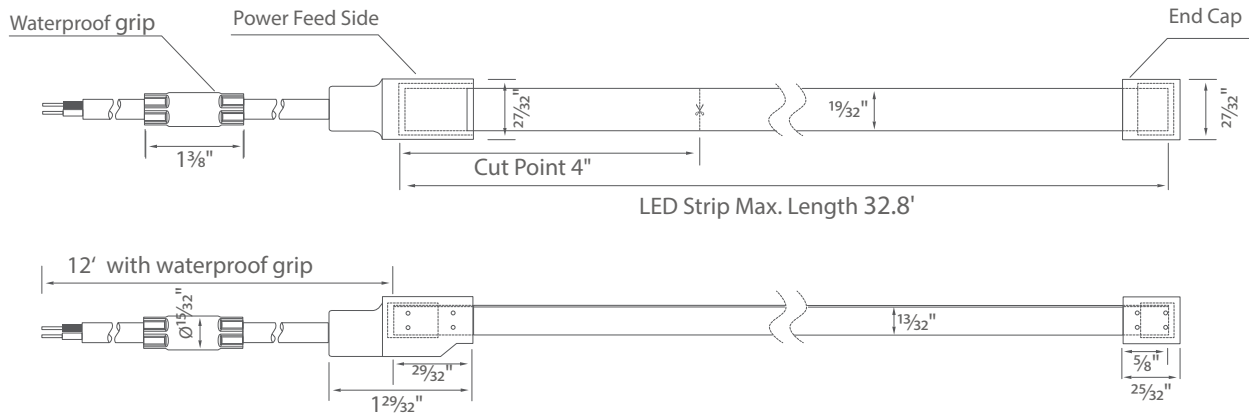
## Specification

<b>Input Voltage</b>	24VDC			
<b>Dimmable</b>	PWM, Forward phase, Triac, 0-10V, MLV, ELV			
<b>Lead Wire</b>	12'			
<b>Color Temp. (CCT)</b>	2700K	3000K	3500K	4000K
<b>Brightness</b>	235lm/ft	244lm/ft	259lm/ft	268lm/ft
<b>Light Efficacy</b>	78lm/W	81lm/W	86lm/W	89lm/W
<b>Power Consumption</b>	3W/ft			

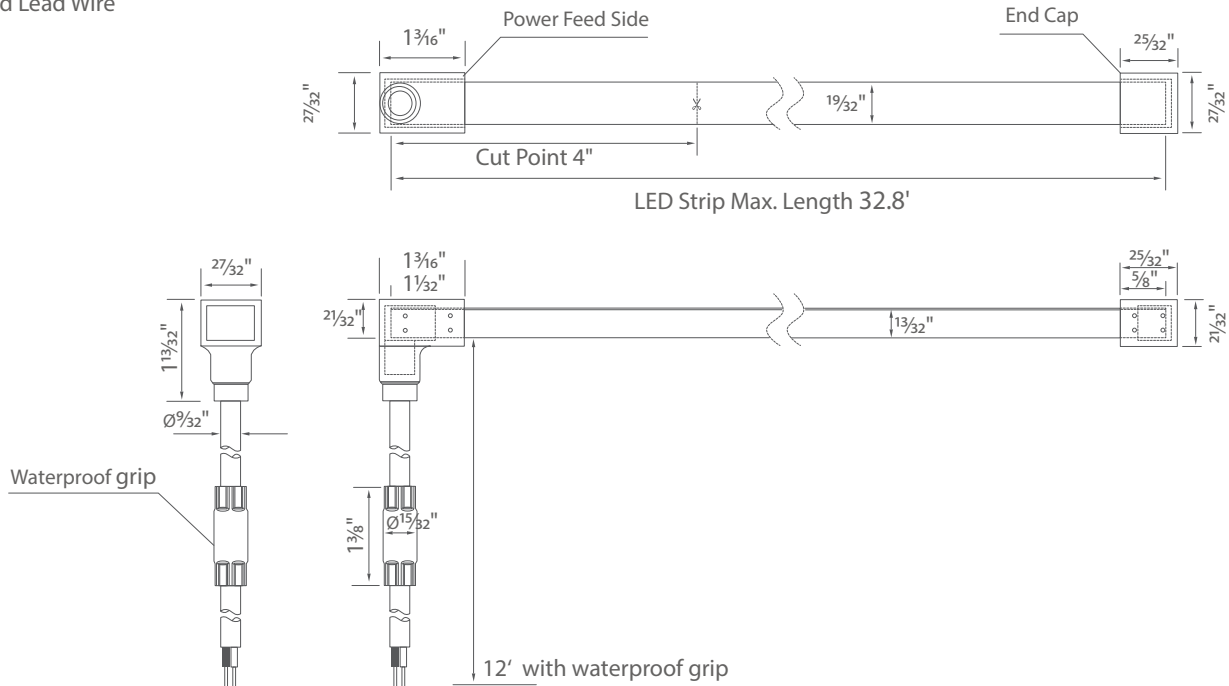
<b>LED Quantity</b>	72LEDs/ft
<b>No Voltage Drop</b>	32.8'
<b>LED Chip</b>	2216
<b>Operating Temperature</b>	14°F~113°F
<b>Lumen Maintenance</b>	50,000 hrs
<b>CRI</b>	90+
<b>IP Rating</b>	IP68 (Wet location)

### Dimension

#### Rear Feed Lead Wire

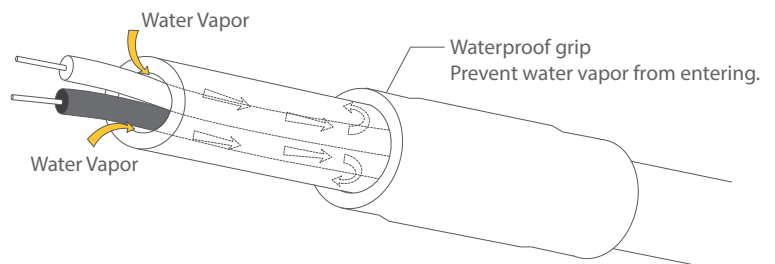


#### Back Feed Lead Wire



#### Note:

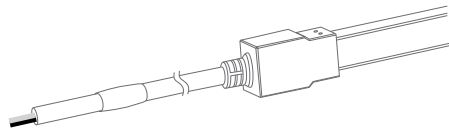
1. According to the UL certification standards, the lead wire is designed to be 12ft long, with a metal waterproof grip located near its end to ensure waterproofing of the strip light. This waterproof grip is designed to prevent the penetration of moisture into the lead wire and must not be removed.
2. The waterproof grip should not be submerged in water.
3. The exposed end of the lead wire must maintain a minimum distance of 6ft from water.



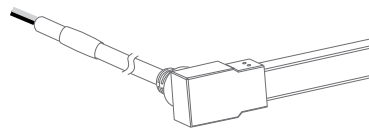
### Order Information

Series	Color Temperature	Voltage	IP Rating	Lead Wire Type	Length(ft)	Length(inch)	Power Supplies
GL - SWP-2216-100	<p>27K-2700K</p> <p>30K-3000K</p> <p>35K-3500K</p> <p>40K-4000K</p>	24V	IP68	<p>RF-Rear Feed Lead Wire</p> <p>BF-Back Feed Lead Wire</p>	<p>1-1' 12-12' 23-23'</p> <p>2-2' 13-13' 24-24'</p> <p>3-3' 14-14' 25-25'</p> <p>4-4' 15-15' 26-26'</p> <p>5-5' 16-16' 27-27'</p> <p>6-6' 17-17' 28-28'</p> <p>7-7' 18-18' 29-29'</p> <p>8-8' 19-19' 30-30'</p> <p>9-9' 20-20' 31-31'</p> <p>10-10' 21-21' 32-32'</p> <p>11-11' 22-22'</p>	<p>0-0"</p> <p>4-4"</p> <p>8-8"</p>	<p>ND-Non-Dimmable</p> <p>TD-Triac Dimming</p> <p>ED-ELV Dimming</p> <p>OD-0-10V Dimming</p>

### Lead Wire Type

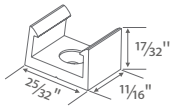


Rear Feed Lead Wire

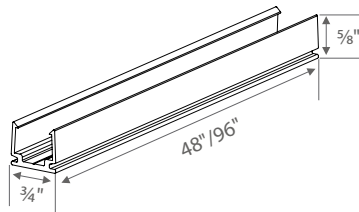


Back Feed Lead Wire

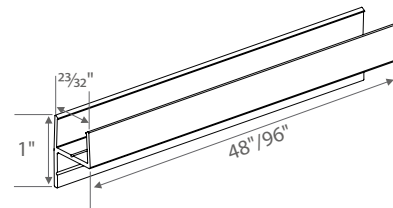
### Accessories



Mounting Clip  
GL-SWP-MCL

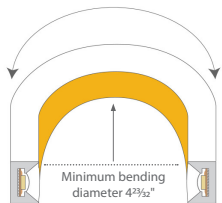


Clear Mounting Channel 1815  
GL-SWP-MCH-1815-C-4/8

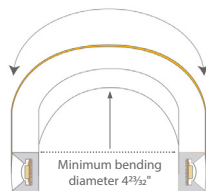


Clear Mounting Channel 1825  
GL-SWP-MCH-1825-C-4/8

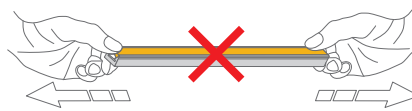
### Bending Options & Precautions



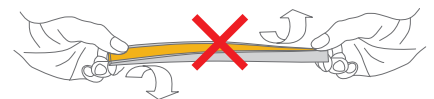
Bottom Bend



Top Bend



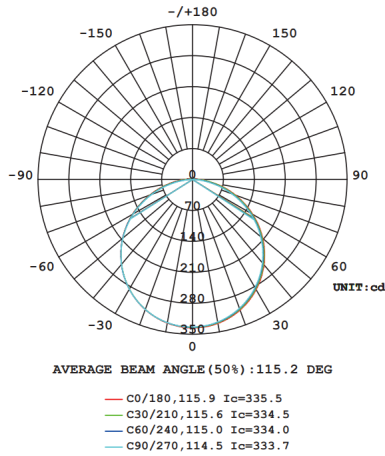
No Stretching



No distortion

### Light Distribution

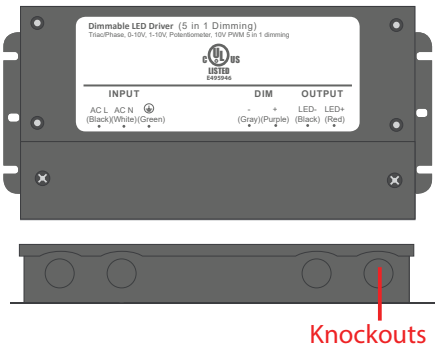
3500K



### Recommended Transformer (Sold Separately)

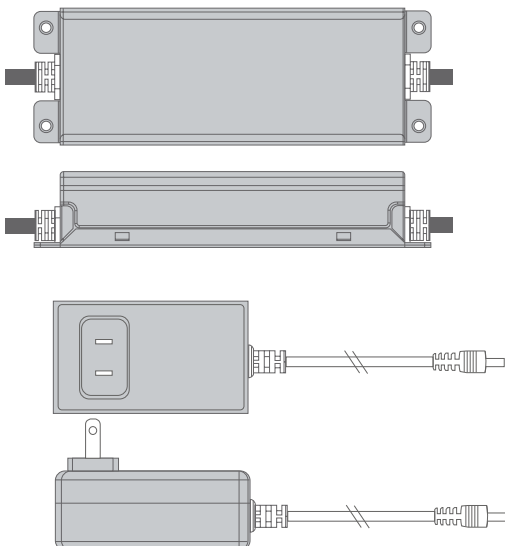
#### LED Dimmable Transformer - 5 in 1 dimming

G Series



Model No.	Output Voltage	Wattage	Dimensions (L x W x H)	Certificates
G-60W-24V	24V	60W	7 <sup>13</sup> / <sub>32</sub> "x3 <sup>3</sup> / <sub>4</sub> "x1 <sup>1</sup> / <sub>4</sub> "	FCC, UL, Class 2
G-96W-24V	24V	96W	8 <sup>21</sup> / <sub>32</sub> "x3 <sup>3</sup> / <sub>4</sub> "x1 <sup>23</sup> / <sub>32</sub> "	FCC, UL, Class 2
G-150W-24V	24V	150W	10 <sup>9</sup> / <sub>32</sub> "x4 <sup>5</sup> / <sub>32</sub> "x1 <sup>15</sup> / <sub>16</sub> "	FCC, UL, Class 2
G-200W-24V	24V	200W	10 <sup>9</sup> / <sub>32</sub> "x4 <sup>5</sup> / <sub>32</sub> "x1 <sup>15</sup> / <sub>16</sub> "	FCC, UL, Class 2
G-300W-24V	24V	300W	10 <sup>9</sup> / <sub>32</sub> "x4 <sup>5</sup> / <sub>32</sub> "x1 <sup>15</sup> / <sub>16</sub> "	FCC, UL, Class 2

#### LED Non-Dimmable Transformer



Model No.	Output Voltage	Wattage	Dimensions (L x W x H)	Certificates
APV-8W-24V	24V	8W	2.30x1.20x0.90in	CE, RU, Class 2
APV-35W-24V	24V	35W	3.30x2.20x1.20in	CE, RU, Class 2
LPV-60W-24V	24V	60W	6.40x1.70x1.30in	CE, RU, Class 2
XLG-100W-24V	24V	100W	5.50x2.50x1.25in	CE, RU
XLG-150W-24V	24V	150W	5.51x2.48x1.26in	CE, RU
XLG-200W-24V	24V	200W	7.09x2.48x1.40in	CE, RU
HLG-320W-24V	24V	320W	9.90x3.50x1.70in	CE, RU
HLG-600W-24V	24V	600W	11.00x5.70x1.90in	CE, RU

Model No.	Output Voltage	Wattage	Dimensions (L x W x H)	Certificates
YHY-36W-24V	24V	36W	3.40x1.90x1.25in	UL, FCC, CE
YHY-60W-24V	24V	60W	4.50x1.90x1.20in	UL, FCC, CE
TPZ-96W-24V	24V	96W	7.00x3.10x1.80in	UL, FCC, CE