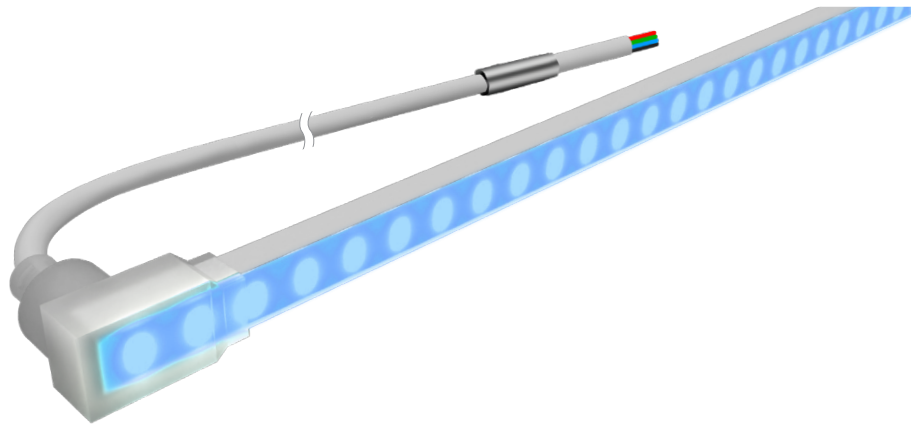


Swimming Pool Strip Light - SWP-5050-100-RGB Color



This RGB LED strip light is expertly crafted for swimming pools, offering both durability and flexibility with a minimum bending diameter of 120mm. It operates on a 24VDC power input with a user-friendly installation process, connecting seamlessly to drivers. The multicolor capabilities of this strip light make it an ideal choice for swimming pool illumination as well as various outdoor applications, adding vibrant, adjustable colors to enhance any setting.

Features

- Top bending; bright light emission along the bent surface.
- IP68 waterproof rating; can be submerged at a maximum depth of 2 meters (6.5 feet) in water.
- Made with soft and flexible PVC extrusion, resistant to chloride ingress.
- Chlorine resistant.
- Maximum run length of 16.4'.
- 50,000h long lifespan with 3 years limited warranty.
- UL listed.

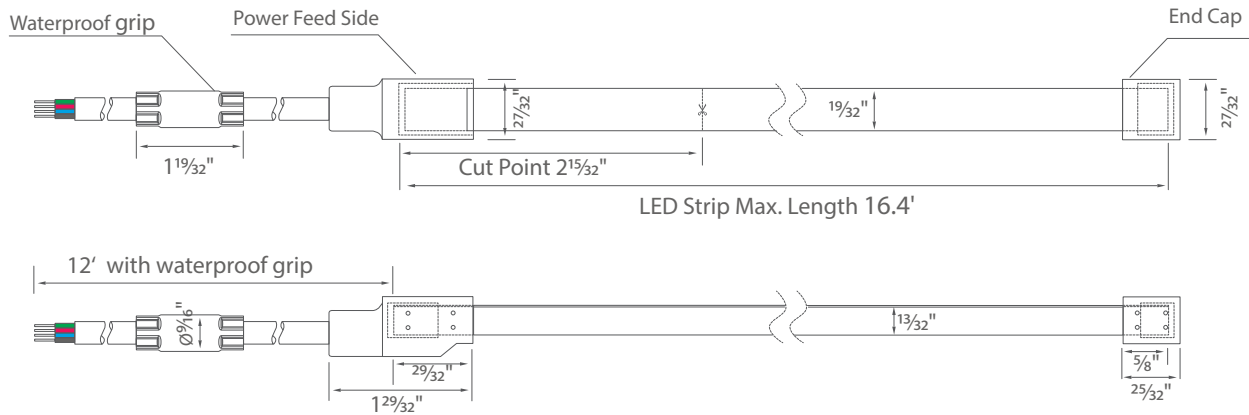


Specification

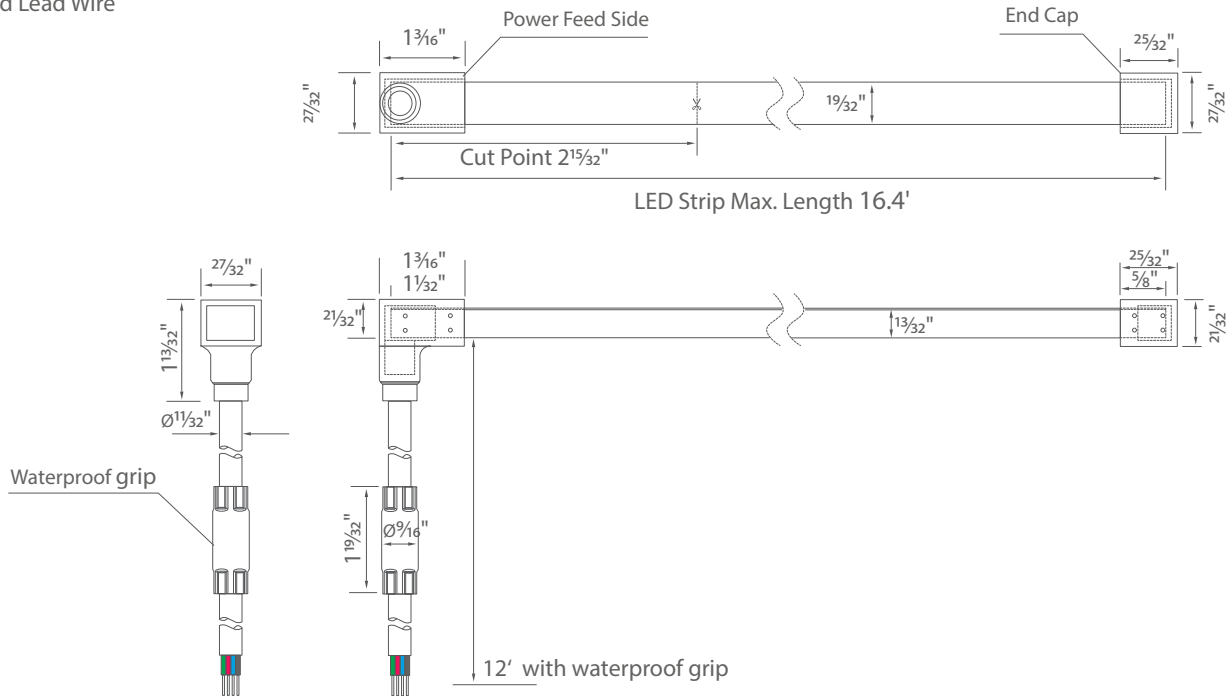
Input Voltage	24VDC	LED Quantity	29LEDs/ft
Lead Wire	12'	No Voltage Drop	16.4'
Color	RGB	LED Chip	5050
Brightness	160lm/ft	Operating Temperature	14°F~113°F
Light Efficacy	35.5lm/W	Lumen Maintenance	50,000 hrs
Power Consumption	4.5W/ft	IP Rating	IP68 (Wet location)

Dimension

Rear Feed Lead Wire

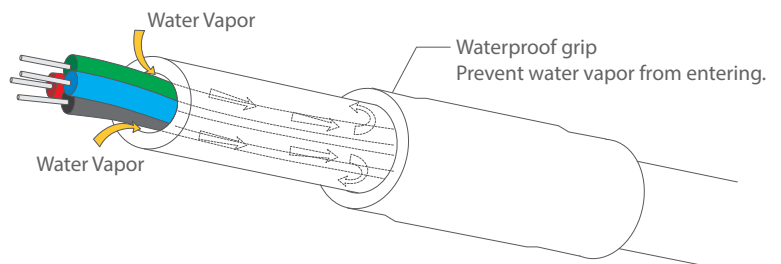


Back Feed Lead Wire



Note:

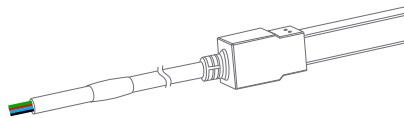
1. According to the UL certification standards, the lead wire is designed to be 12ft long, with a metal waterproof grip located near its end to ensure waterproofing of the strip light. This waterproof grip is designed to prevent the penetration of moisture into the lead wire and must not be removed.
2. The waterproof grip should not be submerged in water.
3. The exposed end of the lead wire must maintain a minimum distance of 6ft from water.



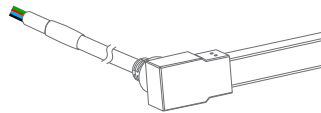
Order Information

Series	Color Temperature	Voltage	IP Rating	Lead Wire Type	Length(ft)	Length(inch)
GL - SWP-5050-100	RGB	24V	IP68			
				RF -Rear Feed Lead Wire BF -Back Feed Lead Wire	1-1' 9-9' 2-2' 10-10' 3-3' 11-11' 4-4' 12-12' 5-5' 13-13' 6-6' 14-14' 7-7' 15-15' 8-8' 16-16'	0-0" 7-7" 1-1" 8-8" 2-2" 9-9" 3-3" 10-10" 4-4" 11-11" 5-5" 12-12" 6-6"

Lead Wire Type

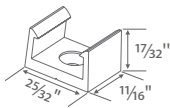


Rear Feed Lead Wire

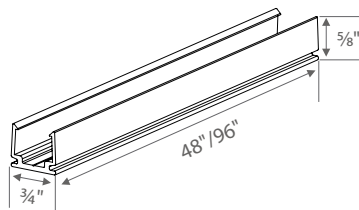


Back Feed Lead Wire

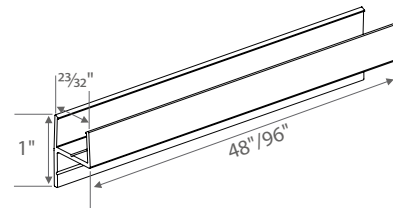
Accessories



Mounting Clip
GL-SWP-MCL

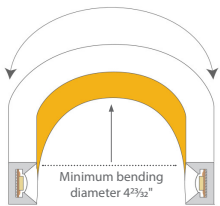


Clear Mounting Channel 1815
GL-SWP-MCH-1815-C-4/8

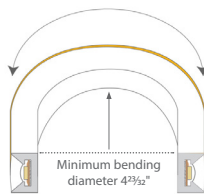


Clear Mounting Channel 1825
GL-SWP-MCH-1825-C-4/8

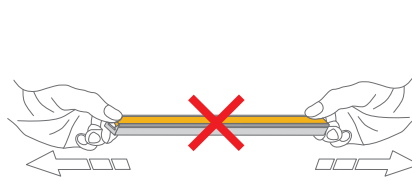
Bending Options & Precautions



Bottom Bend



Top Bend



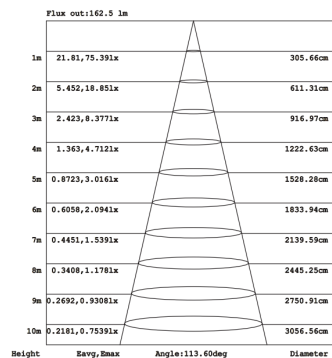
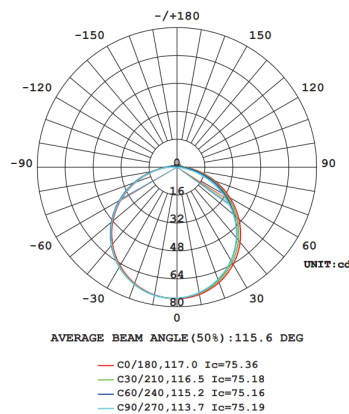
No Stretching



No distortion

Light Distribution

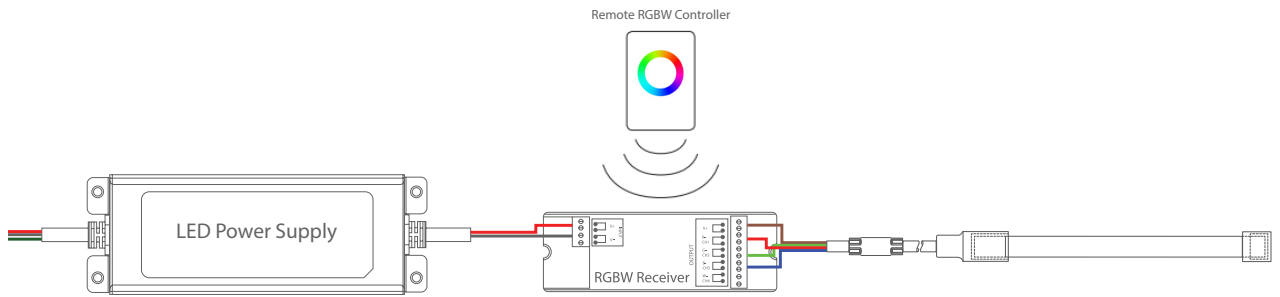
RGB



Recommended LED Power Supply (Sold Separately)



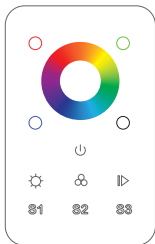
Model No.	Output Voltage	Wattage	Dimensions (L x W x H)	Certificates
XLG-100W-24V	24V	100W	5.51x2.48x1.26in	CE, RU
XLG-150W-24V	24V	150W	7.09x2.45x1.4in	CE, RU
XLG-200W-24V	24V	200W	7.83x2.48x1.4in	CE, RU
HLG-320W-24V	24V	320W	9.9x3.5x1.7in	CE, RU
HLG-600W-24V	24V	600W	11x5.7x1.9in	CE, RU



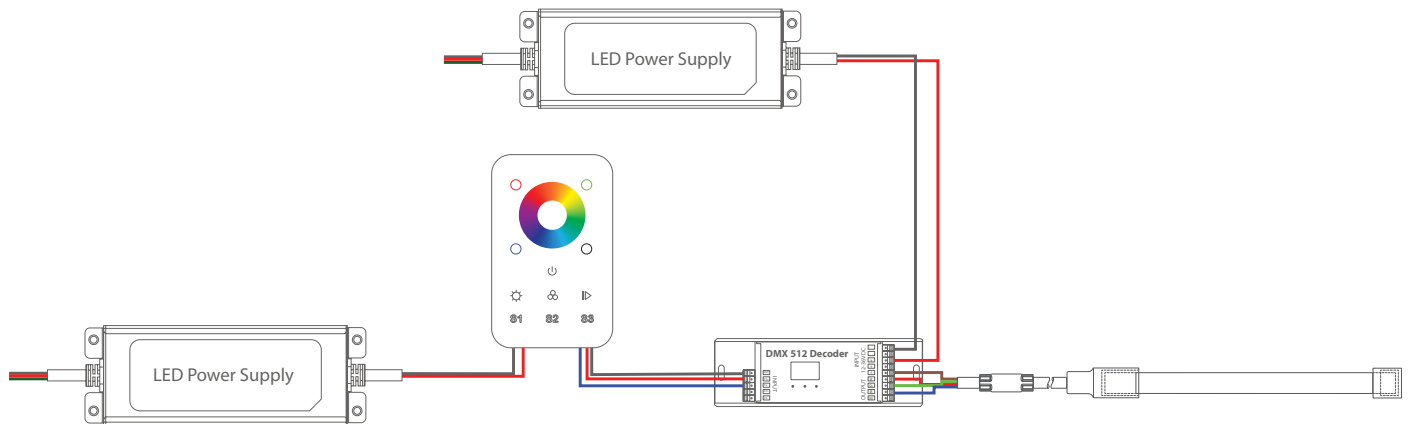
LED Power Supply Wiring Diagram (with RGBW Receiver)

Recommended Controller (Sold Separately)

DMX RGBW Wall Mount Controller



Product	Model No.	Dimensions (L x W x H)	Certificates
DMX 1Zone Controller	DMX-RGB-WM-T-1Z-W	4.7x2.9x1.1in	RU, TUV, CE, FC, ROHS
DMX 3Zone Controller	DMX-RGB-WM-T-3Z-W	4.7x2.9x1.1in	RU, TUV, CE, FC, ROHS
DMX Decoder	DMX-DEC-5A4CH	6.5x2.1x0.9in	RU, UL, TUV, CE, FC, ROHS



LED Power Supply Wiring Diagram (with DMX RGBW Wall Mount Controller)

*This diagram is for references only. Please see the DMX RGB Wall Mount Controller Specification for a more accurate diagram.