

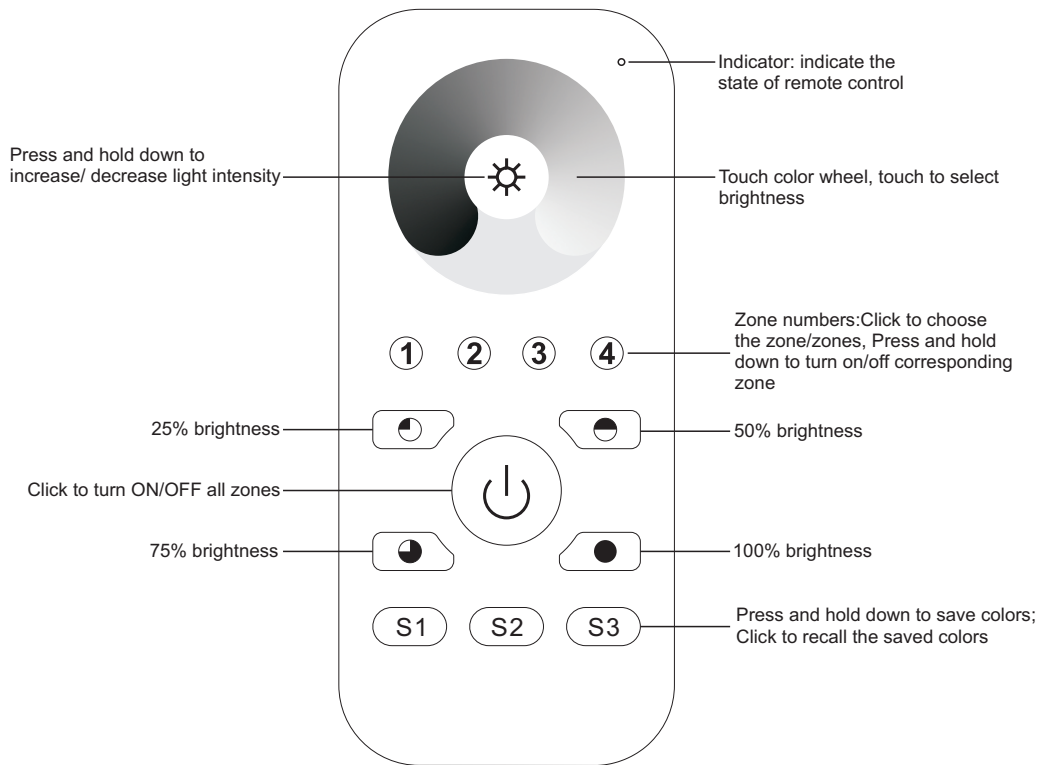
# RF Single Color Remote Controller

09.289SD.04166

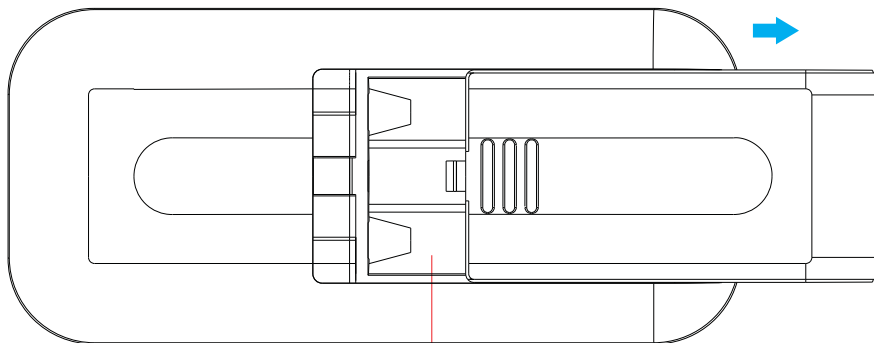


**Important:** Read All Instructions Prior to Installation

## Function introduction



Front side



4.5V(3xAAA battery)

Bottom side

## Product Data

Output	RF signal
Operation Frequency	869.5/916.5/434MHz
Power Supply	4.5V(3xAAA battery)
Operating temperature	0-40°C
Relative humidity	8% to 80%
Dimensions	120x55x17mm

- Control 4 zones of RF receivers separately.
- Single color controller
- High sensitive & high stable touch color wheel, fast & precise color control.
- Compatible with all universal series RF receivers
- 1 receiver can be paired by max 8 different remote controls.
- Waterproof grade: IP20

## Safety & Warnings

- This device contains AAA batteries that shall be stored and disposed properly.
- DO NOT expose the device to moisture.

## Operation

### Pair to RF receivers with learning key:

Turn on the RF remote → Click "Learning Key" on RF receiver, or re-power on the receiver three times → Click a zone number :1-4 → touch color wheel on RF remote

→ LED lights connected with the RF receiver will flicker once → The receiver is paired to the selected zone of the remote successfully.

### Pairing to RF receiver without learning key:

Power off and power on the receiver → turn on the remote, then click a zone number twice and press and hold it continuously and quickly within 10 seconds → LED light connected with the receiver will flash to indicate successful pairing to the selected zone.

### Play the remote after pairing:

Turn on RF remote → Click the paired zone number/numbers → Touch color wheel or other buttons to do the controlling

### Save a scene:

Turn on RF remote → Click one of the paired zone numbers (1-4) → Operation the buttons to select a brightness you like → Press and hold down button S1/S2/S3 to save the brightness

→ The connected LED light with RF receiver will flash → The scene is saved successfully.

### Recall the saved scenes:

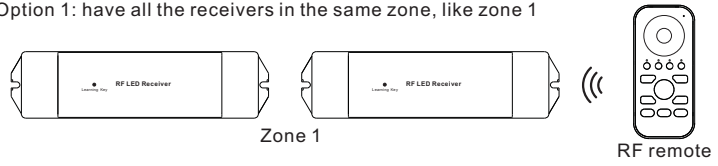
Turn on RF remote → Click any of the zone numbers you would like to recall the scene → Click any button of S1/S2/S3 to recall a saved scene

### Delete pairing with learning key:

Press and hold down "Learning Key" on the receiver for over 3 seconds until connected LED lights flicker twice, which means the pairing is deleted successfully.

**If you use multiple receivers, you have two choices:**

Option 1: have all the receivers in the same zone, like zone 1



Option 2: have each receiver in a different zone, like zone 1, 2, 3 or 4

