

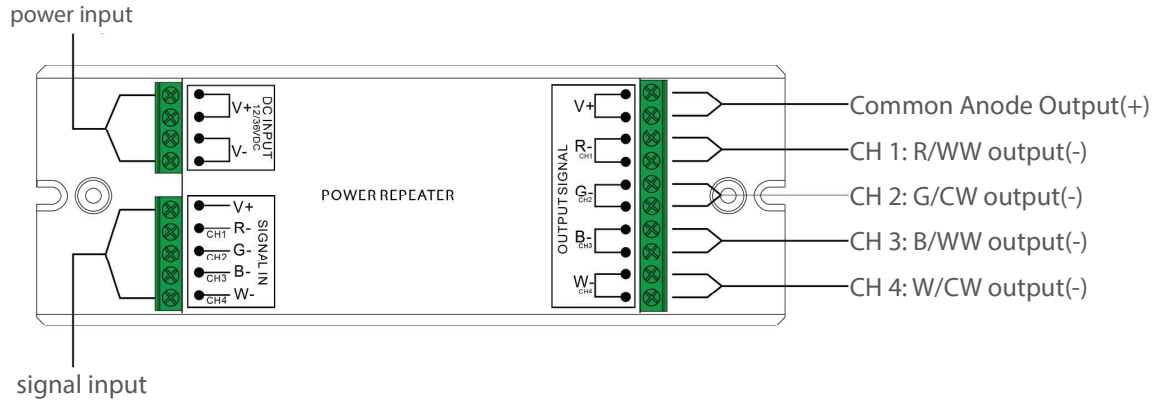
ZIP RGBW Amplifier



Important: Read All Instructions Prior to Installation

Function Introduction

This product is a 12-36VDC constant voltage LED power repeater with 4 channels, maximum 8A per channel output, which is designed to expand power output and receive PWM signal control. By adding one more power repeater, the controller can control double LEDs, and unlimited power repeaters can be connected together to expand power output unlimitedly theoretically.



Product Data

Single Color - One Channel

Input Voltage	Output Current	Output Power	Remarks	Size (LxWxH)
12VDC	8A	96W	Constant voltage	6.7"x2.3"x1.1"
24VDC	8A	192W		
36VDC	8A	288W		

Changing Color (CCT) - Two Channel

Input Voltage	Output Current	Output Power	Remarks	Size (LxWxH)
12VDC	2x8A	192W	Constant voltage	6.7"x2.3"x1.1"
24VDC	2x8A	384W		
36VDC	2x8A	576W		

Changing Color (RGB) - Three Channel

Input Voltage	Output Current	Output Power	Remarks	Size (LxWxH)
12VDC	3x8A	288W	Constant voltage	6.7"x2.3"x1.1"
24VDC	3x8A	576W		
36VDC	3x8A	864W		

Changing Color (RGBW) - Four Channel

Input Voltage	Output Current	Output Power	Remarks	Size (LxWxH)
12VDC	4x8A	384W	Constant voltage	6.7"x2.3"x1.1"
24VDC	4x8A	768W		
36VDC	4x8A	1152W		

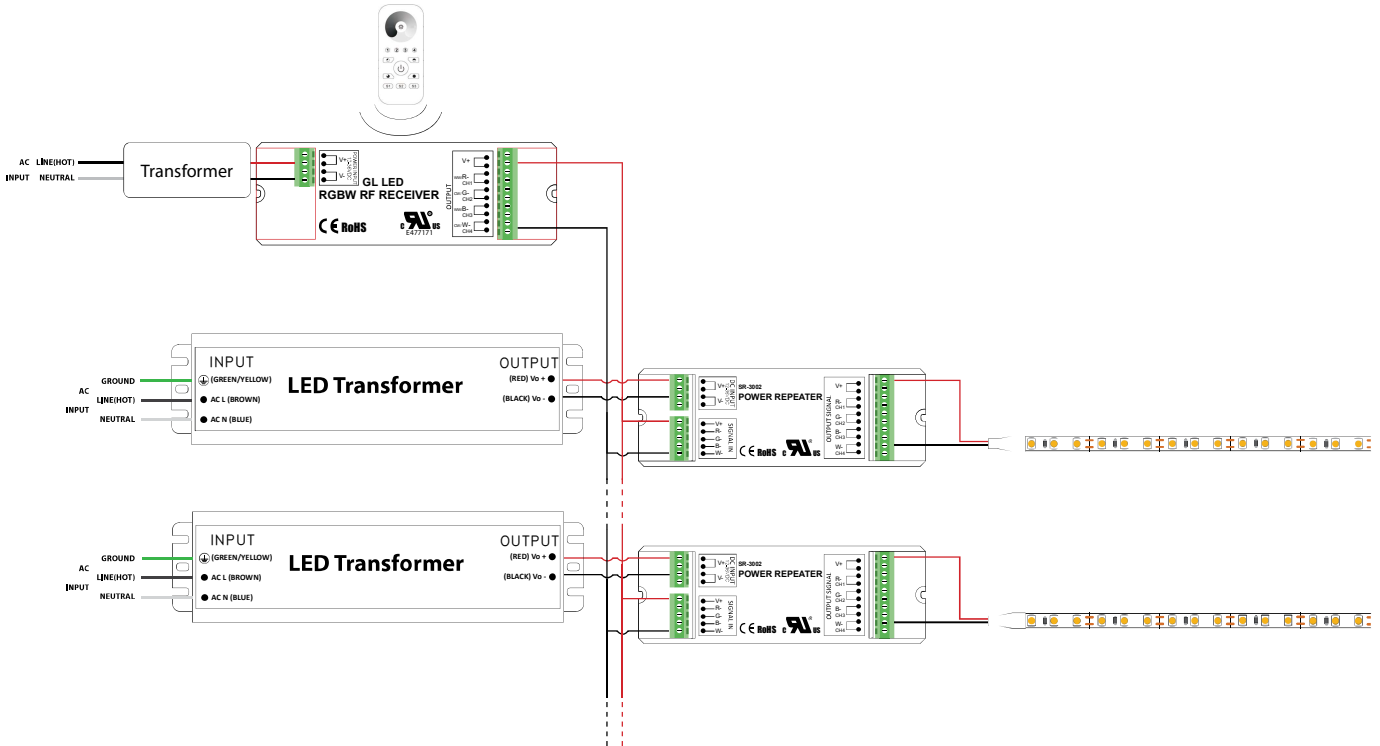
GL LED US LIGHTING reserves the right to modify this specification without prior notices.

Safety & Warnings

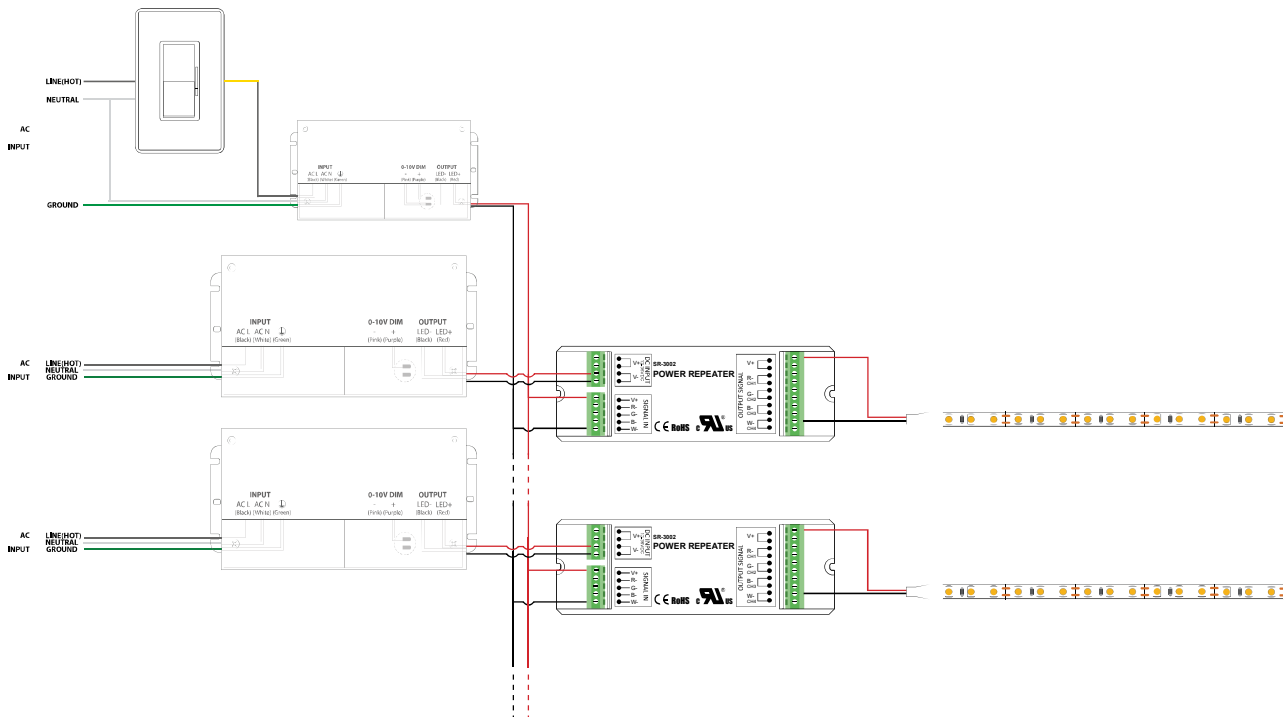
- DO NOT install with power applied to device.
- DO NOT expose the device to moisture.

Connection wiring diagram

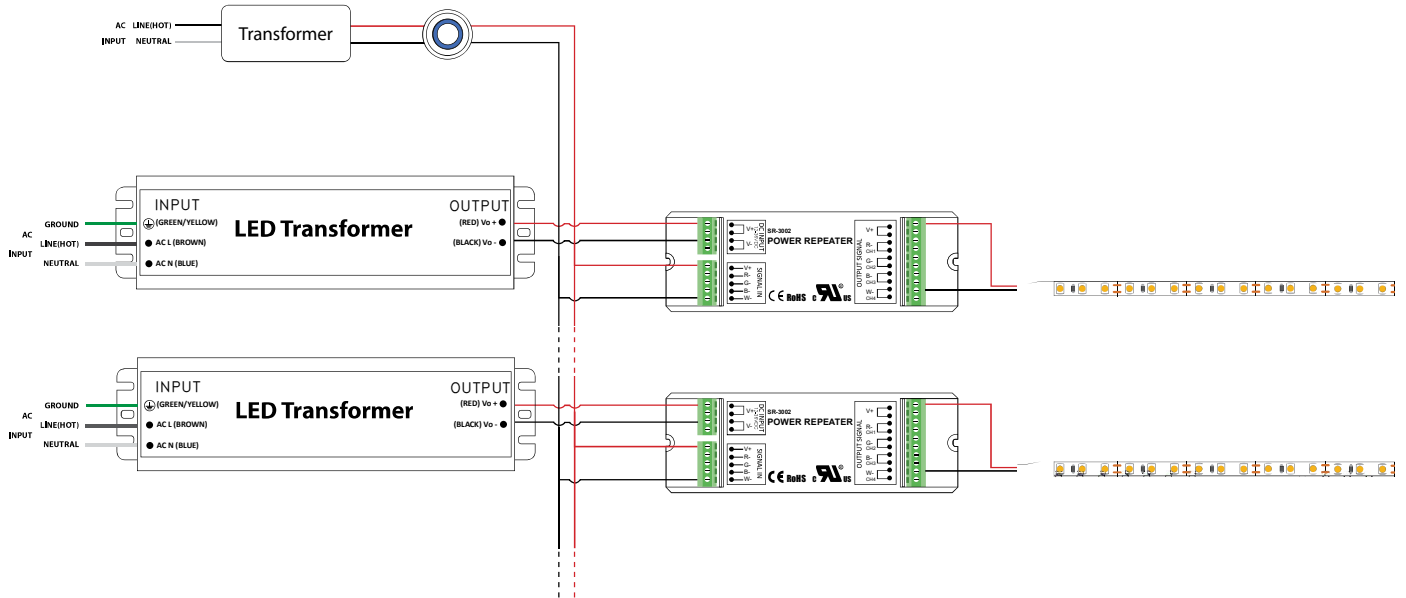
Single Color Wireless Dimmer with ZIP RGBW Amplifier



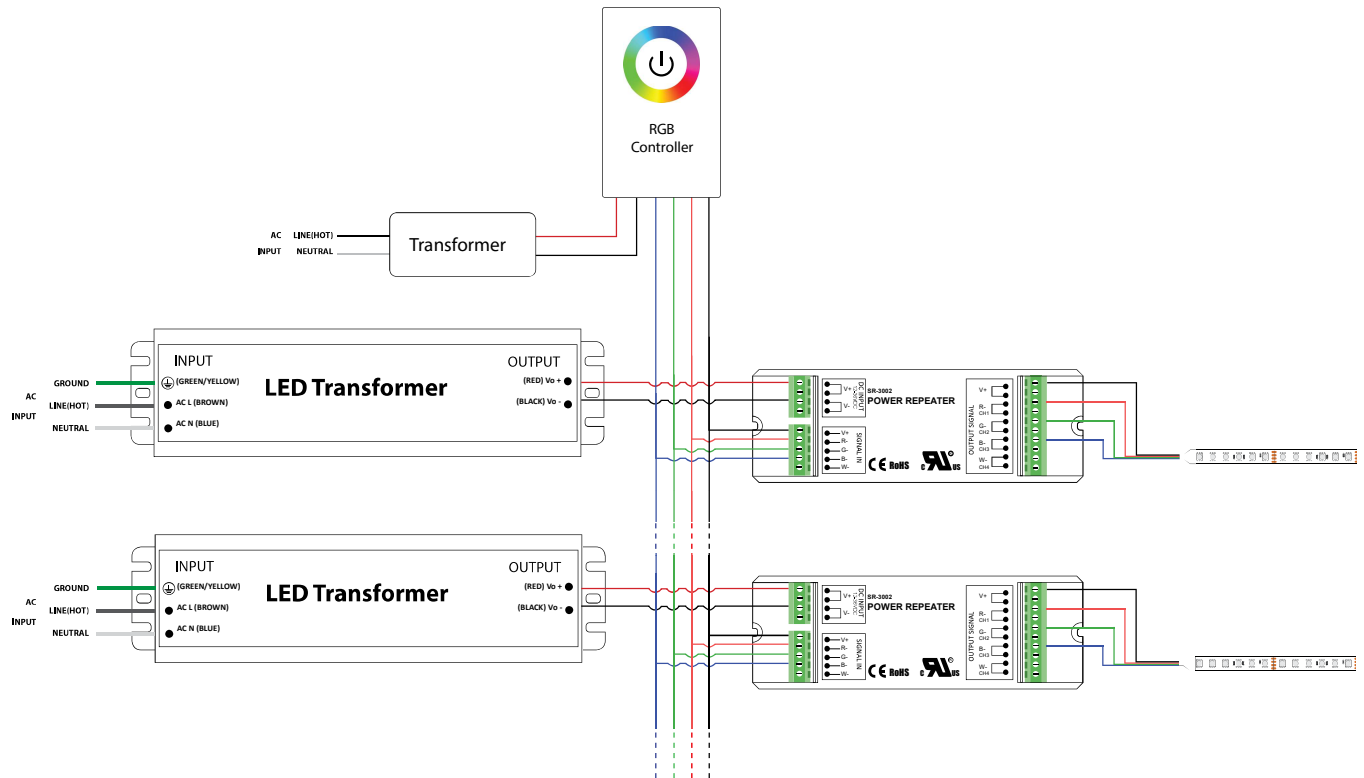
Single Color Line Voltage Wired Dimmer with ZIP RGBW Amplifier



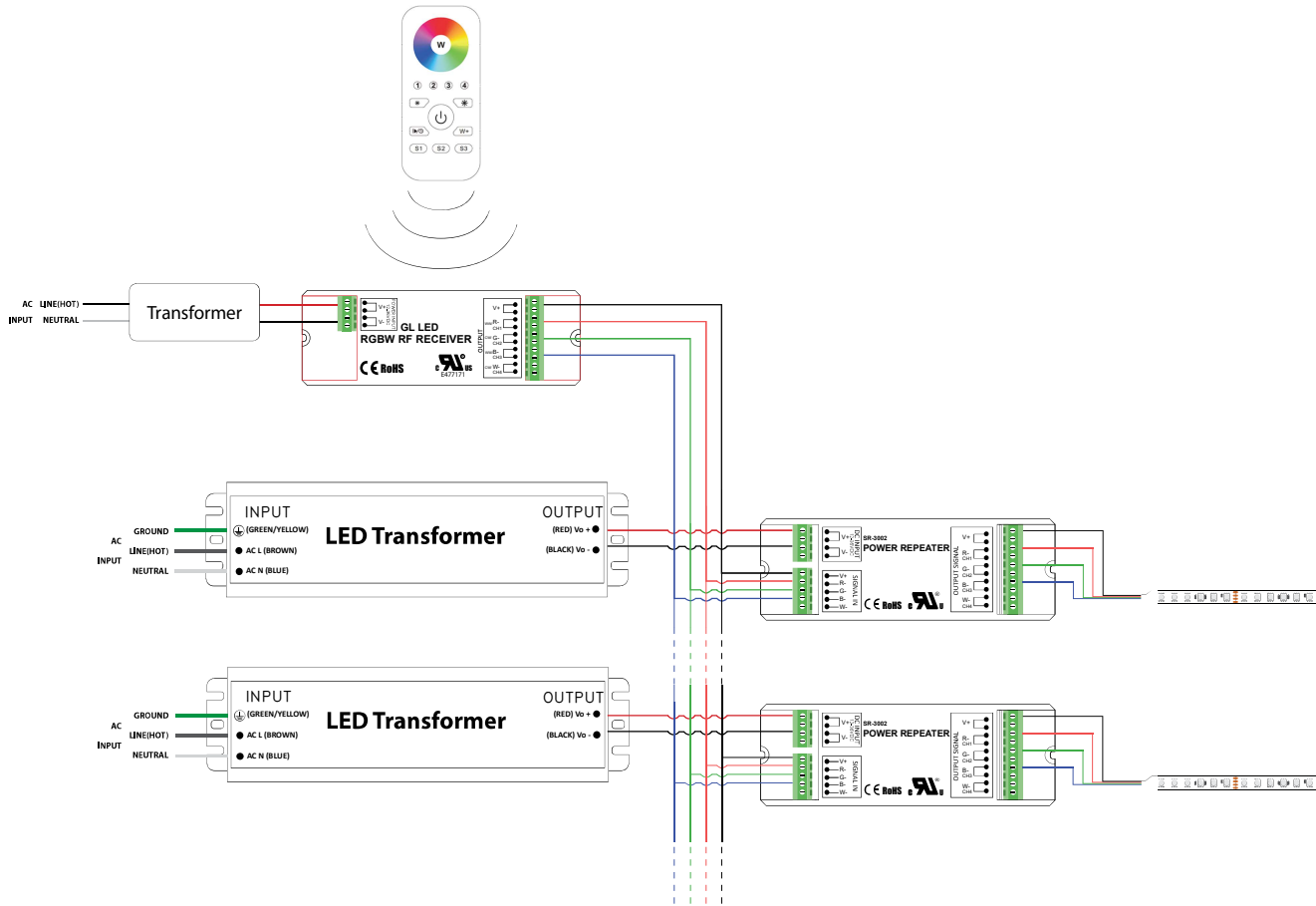
Single Color Sensor or Switch with ZIP RGBW Amplifier



RGB Color Changing Wired Controller with ZIP RGBW Amplifier



RGB Color Changing Wireless Controller with ZIP RGBW Amplifier



Operation

LED power repeater is suitable for all of our single color & RGB controllers to expand power output, it supports PWM control and can connect one to three times more LEDs by adding one more power repeater, and unlimited power repeaters can be connected together theoretically.

The constant voltage power repeater and constant current power repeaters can be connected together, which is convenient for controlling LEDs with different voltage and power.