

# Motion Sensor Switch - K1021



The Motion Sensor Switch is used in an environment where the light is needed to be turned on/off automatically with motion detecting. It is widely used in bathrooms, staircases, hallway, or any places need motion light. This product only can be used for low-voltage LED light circuits.

## Features

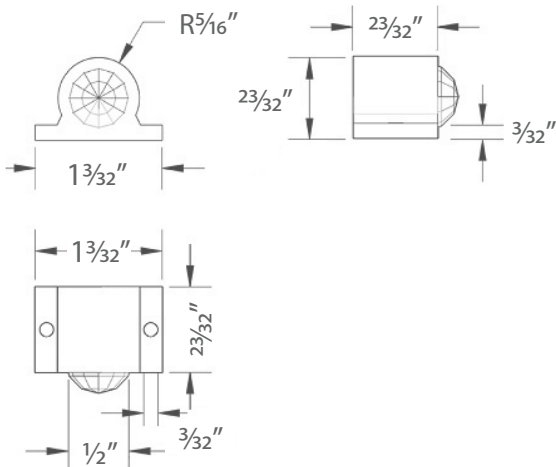
- Operating Voltage: DC 12-24V.
- Control method: Infrared photoelectric.
- Dry location, IP20
- Surface Mounted
- 2 years warranty.



## Specification

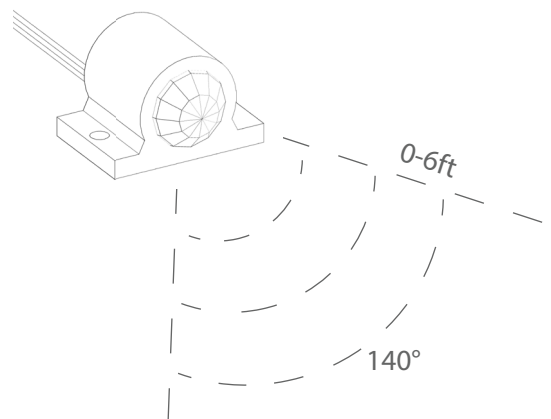
| Model No. | Input Voltage | Output Power | Sensor Range | Max Load | Technology             | Installation Method | Operate Temperature       | Light-up Time | Body Color |
|-----------|---------------|--------------|--------------|----------|------------------------|---------------------|---------------------------|---------------|------------|
| K1021     | 12V DC        | 24W          | 140° /0-6ft  | 1A       | Infrared photoelectric | Surface             | 23°F-104°F<br>(-5°C~40°C) | 35s           | White      |
|           | 24V DC        | 48W          |              |          |                        |                     |                           |               |            |

## Dimension

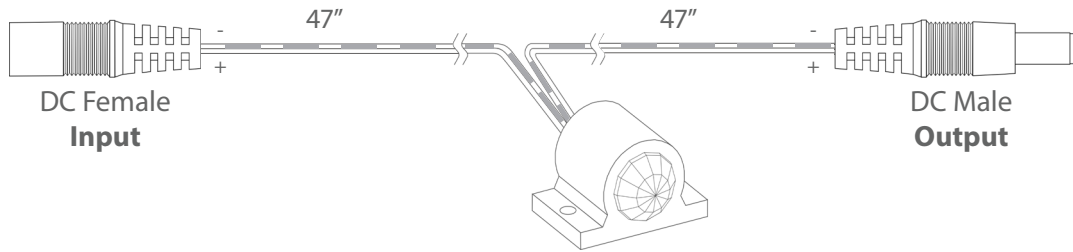


## Detection Range

Range Angle: 140°  
Range Distance: 0-6ft

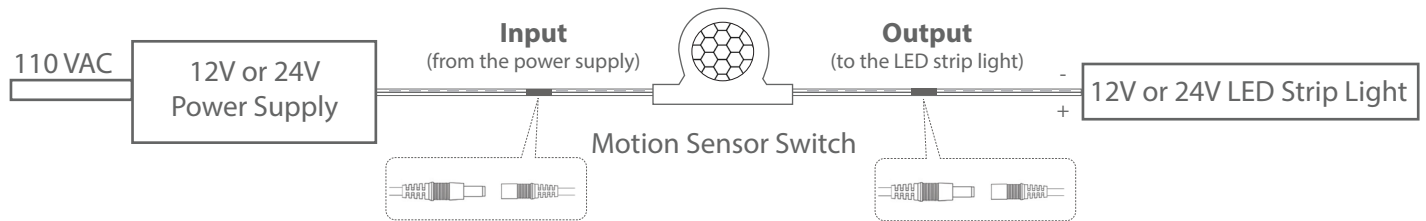


### Connection Method



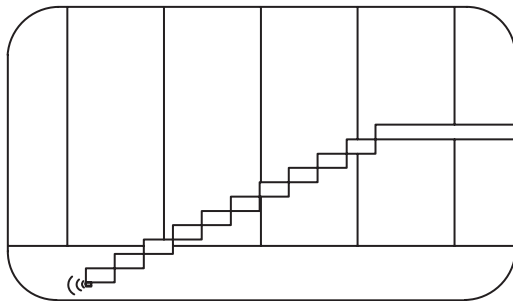
**Notice** Pay attention to distinguish the input/output interface, if the wrong connection will cause the product to not work or be damaged.

### Wiring Diagram

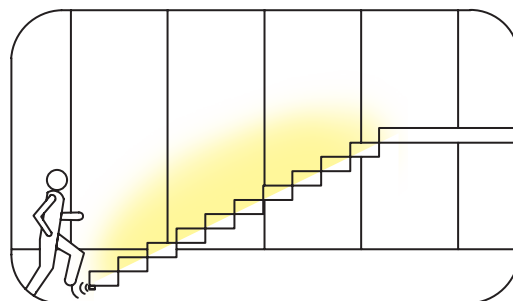


### Demonstration

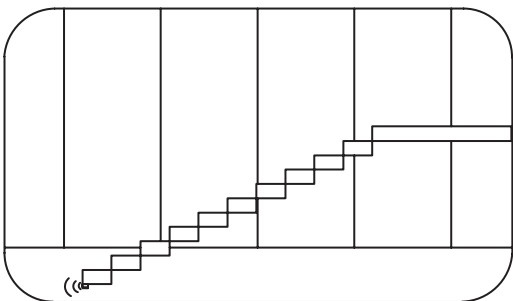
1. Don't install in a place with strong wind and heat to avoid any false triggering.
2. The sensor is not waterproof; don't install it in any place with heavy water and humidity.



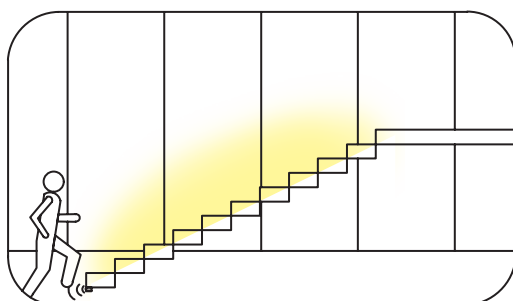
1. Install the Motion Sensor Switch K1021 at the requirement location.



2. When a motion is detected, the light will turn on automatically.



3. The light will keep on for 35s since the last motion detecting.



4. The will turn off automatically with no motion detecting.