

Linear Light Suspension Kit -- For Linear Light L8050/L8456/L11070 Series

Each linear light suspension kit is available separately. One linear light needs at least 2 suspension kits (with suspension cable) combo for installation. Feel free to make your own combo.

Parts list:

- ① Bracket Bar with Ground Screw
- ② Two Holes Canopy (White/Black)
- ③ Male Coupler
- ④ Female Coupler
- ⑤ Canopy with Mounting Plate (White/Black)
- ⑥ Toggle Bolt Anchor
- ⑦ Single Hole Canopy (White/Black)
- ⑧ M1/8 to M10 Adapter
- ⑨ Female Base
- ⑩ T Grid Clip
- ⑪ Double Heads Suspension Cable

Canopy Color:

Black, White

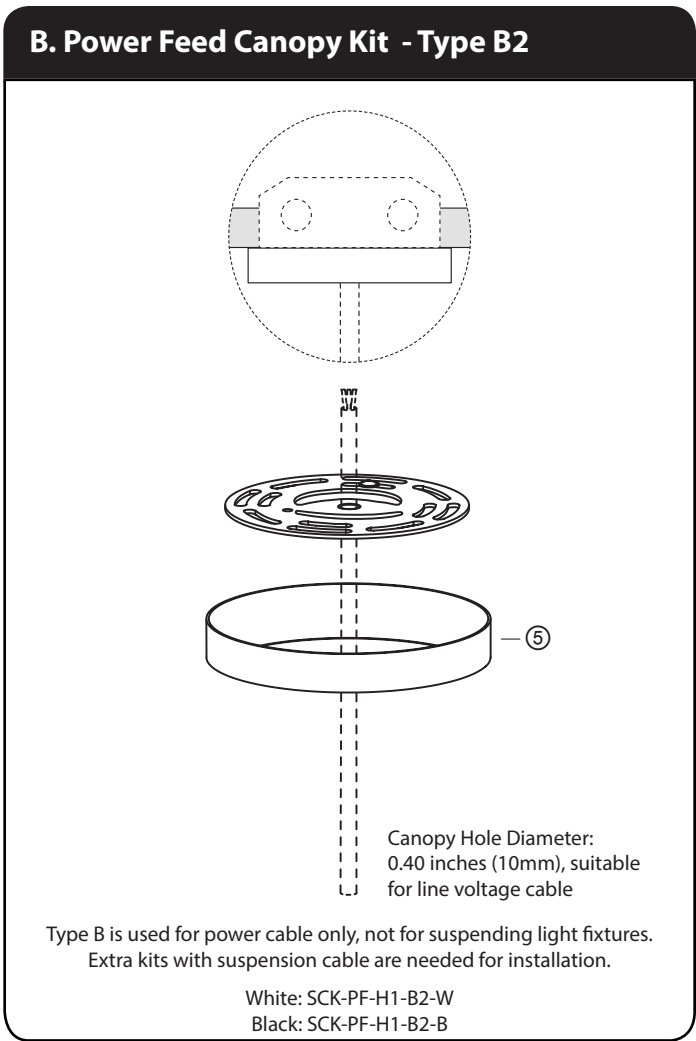
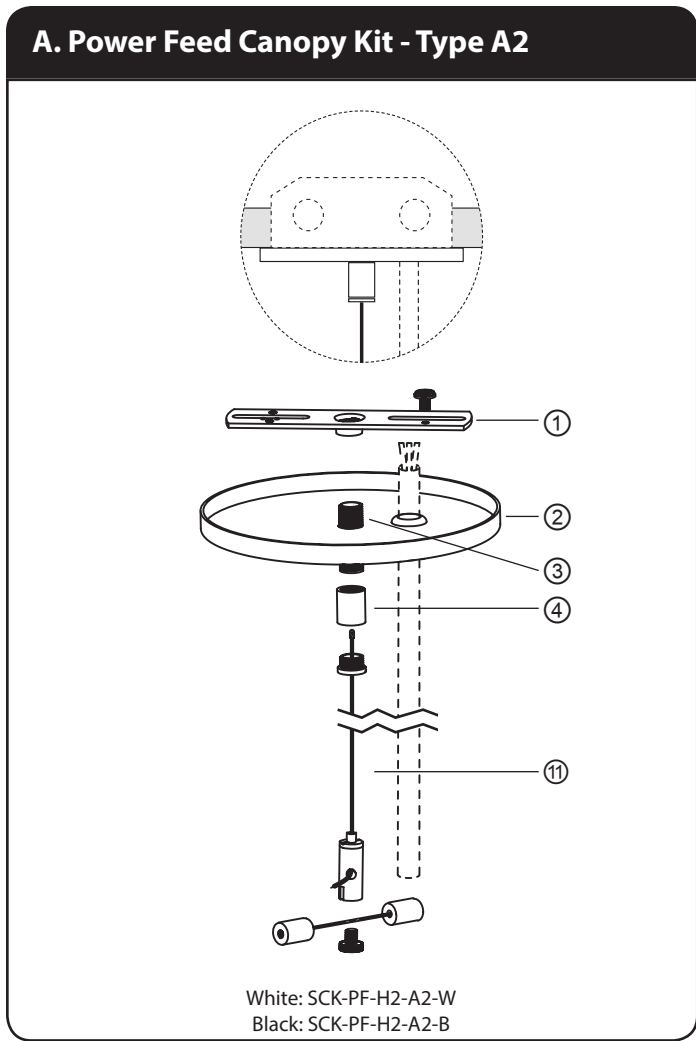
Suspension Cable Length:

6.5ft

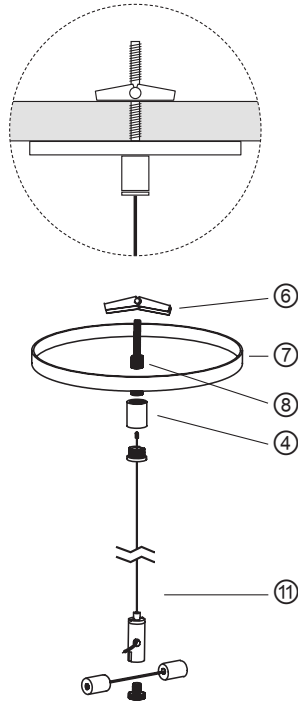
- 10ft, 20ft suspension cable is available (sold separately)

Maximum Weight Hanging:

15lbs

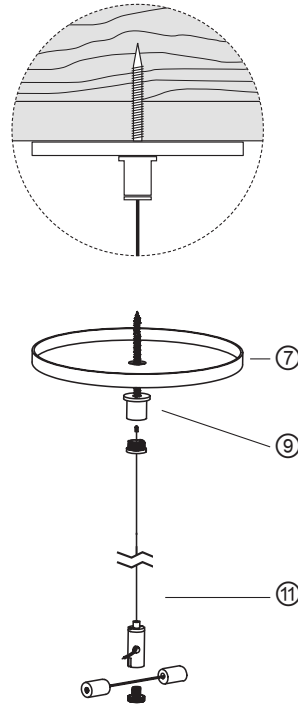


C. Non-Power Feed Canopy Kit - Type C2



White: SCK-NPF-H1-C2-W
Black: SCK-NPF-H1-C2-B

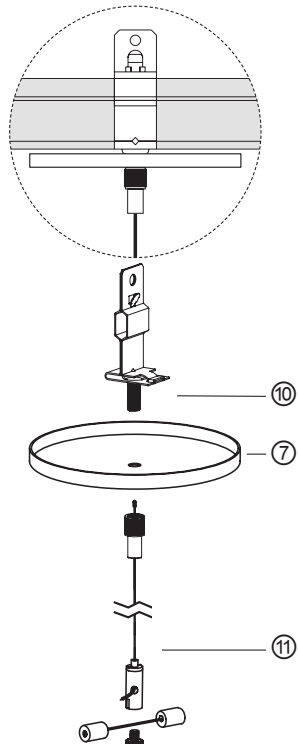
D. Non-Power Feed Canopy Kit - Type D2



White: SCK-NPF-H1-D2-W
Black: SCK-NPF-H1-D2-B

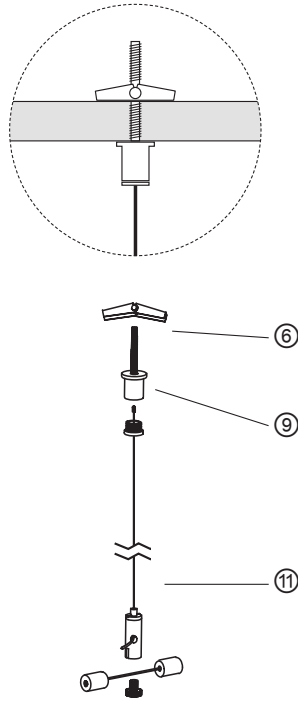
*Wood screw is not included

E. Non-Power Feed Canopy Kit - Type E2



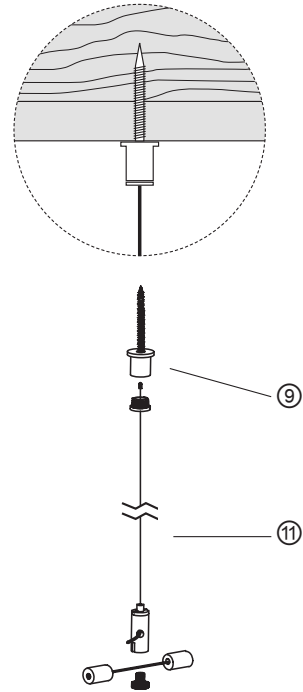
White: SCK-NPF-H1-E2-W
Black: SCK-NPF-H1-E2-B

F. Non-Power Feed Kit Type F2



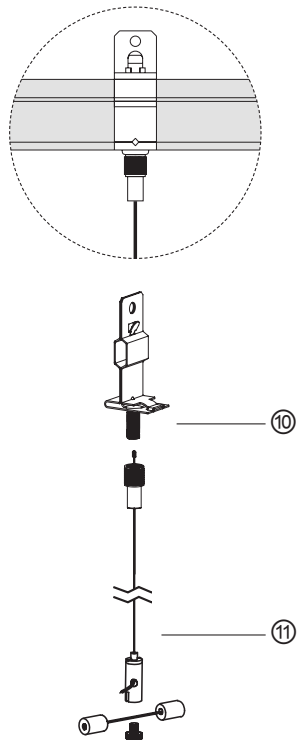
SCK-NPF-H1-F2

G. Non-Power Feed Kit Type G2



SCK-NPF-H1-G2 *Wood screw is not included

H. Non-Power Feed Kit Type H2



SCK-NPF-H1-H2

