

LED Troffer Light CCT Tunable 2ftx2ft



Application: offices, schools, showrooms, airports, retail locations, and healthcare facilities

Specifications	
Power:	20W/25W/30W (Tunable)
Size:	2'x2'
Input Voltage:	120-277V
Lumen	2500 LM / 3125 LM / 3750 LM
Protection Rating	IP20 (For Indoor Use Only)
Power Factor:	0.98
Beam Angle	119°
CCT:	3500K / 4000K / 5000K (Tunable)
CRI:	>80 Ra
Working Life:	Lumen Maintenance over 70% @ 50,000+ Hours
Oper. Temperature	-4°F ~+105°F / -15°C ~+40°C
Product Size:	23 ³ / ₄ "x23 ³ / ₄ "x1 ²⁵ / ₃₂ "
Qty/Master Pack	2
Master Pack Size:	24 ³ / ₁₆ "x24"x4 ² / ₃₂ "
Master Pack Weight	15.42 LBS (2 PCS/CTN)

DESCRIPTION

The slim LED troffers features a popular center basket design offers a clean, versatile style and volumetric distribution. It is typically used to replace 2x2 and 2x4 fluorescent light fixtures.

FEATURES

- 2x2 featuring tunable White Color Temperature: 3500K, 4000K and 5000K
- 0-10V Dimmable
- Suitable for damp locations: Reliable quality and safe operation.
- Body: Aluminum Heatsink for Efficient Heat Dissipation
- Diffusers are extruded from impact modified acrylic for increased durability
- High efficiency: 130lm/w, DLC premium listed
- WARRANTY — 5-year limited warranty

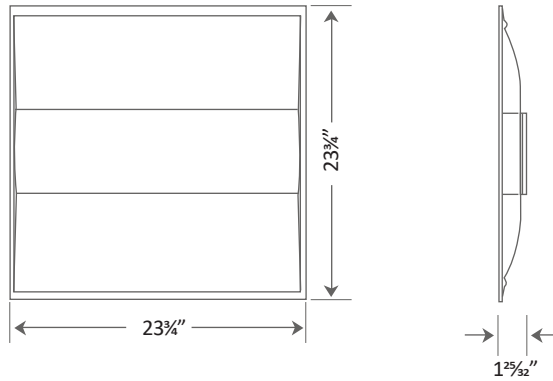
AVAILABLE OPTIONS

- 90-Minute Emergency Power Pack

ORDERING GUIDE

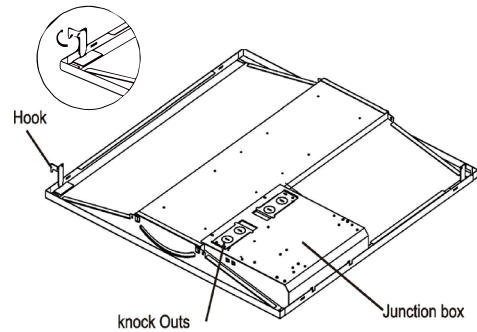
Company Code	Product	Watt	Size	P	C.C.T.
GL	TRP: Troffer Centre Basket	20W	2"x2"	DLC Premium	CCT Tunable (3500K/4000K/5000K)
		25W			
		30W			

DIMENSION



INSTALLATION

1. Turn OFF power to the fixture at the breaker panel before installation.
2. Remove existing lamps, door frame (if applicable), reactor and ballast cover. Depending on clearance space, ballast may need to be removed.
3. Connect the BLACK/BROWN lead to LINE(+) supply lead. Connect the WHITE/BLUE lead to NEUTRAUCOMMON(-) supply lead.
4. Connect the GREEN lead to GROUND supply lead.
5. If any, connect PURPLE/BLUE to 0-10V SIGNAL supply lead and GREY/WHITE to 0-10V NEUTRAUREFERENCE supply lead.
6. For security, bend the end of the hook to the right with 90 degree and attach the hook on the housing onto the T-Bar



LIGHT DISTRIBUTION

