

# LED Track Light - STANDARD 10W-3000K



95+  
CRI

  
90°

  
350°

TRIAC  
DIMMING

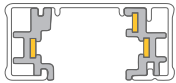


5  
YEAR  
WARRANTY

## Product Description

LED track light is specially designed for task and accent lighting. Provide a variety of easily interchangeable lenses. High quality lighting with efficient brightness. Low UGR.

Compatible Track system: Halo



## Features

- Interchangeable Beam: 24°, 40°, 60°
- CAMETA anti-glare design and with shielding angle to reduce wide beam angle glare lights
- Integral driver, isolated circuit
- 350° rotation (horizontal), 90° adjustable (vertical)
- Self-cleaning thanks to the cylinder shape
- Lifespan (hrs): 50,000hr
- 5 year warranty
- Passive cooling achieved by innovative thermal design.

## Specification

|                      |                 |
|----------------------|-----------------|
| <b>Input Voltage</b> | 120VAC, 50/60Hz |
| <b>Power</b>         | 10W             |
| <b>Power Factor</b>  | 0.99            |
| <b>Color</b>         | 3000k           |
| <b>Light Source</b>  | Sharp COB LED   |

|                     |  |
|---------------------|--|
| <b>Adapter</b>      | H-Type (HALO), 3 Wire, 1 Circuit                                     |
| <b>Dimmable</b>     | Triac dimming  |
| <b>Construction</b> | Die-cast aluminum with removable front cap for lenses or accessories |
| <b>Finish</b>       | Powder coated Black and White  |

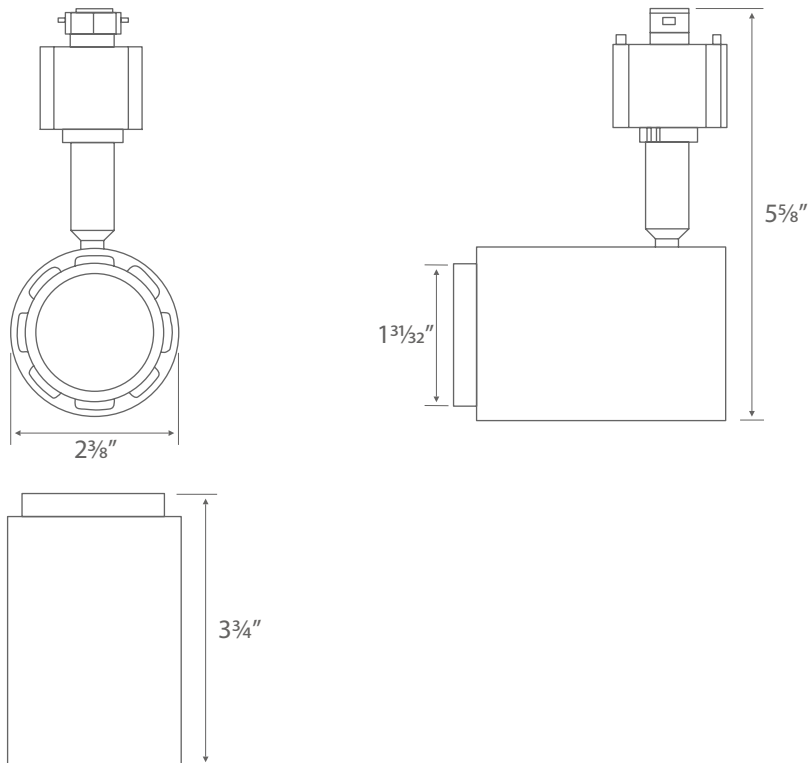
## Models

| Track   | Model No.                 | CCT Adjustable | Brightness (LM) Adjustable | CRI | Beam Angle | Finish |
|---------|---------------------------|----------------|----------------------------|-----|------------|--------|
| H Track | GL-TR-STD-10-H-B-3000K-40 | 3000K          | 648LM                      | 95+ | 40 °       | Black  |
| H Track | GL-TR-STD-10-H-W-3000K-40 | 3000K          | 648LM                      | 95+ | 40 °       | White  |

## Packaging

| Unit Box | Length x Width x Height  | Net Weight |
|----------|--|------------|
|          | 6 <sup>29</sup> / <sub>32</sub> x 4½ x 3 <sup>3</sup> / <sub>32</sub> in | 0.75lb     |

## Dimension



## Accessories (Sold Separately)

Lens can be changed with different beam angles.



24° Lens  
**GL-TR-LENS-10W-24**



60° Lens  
**GL-TR-LENS-10W-60**