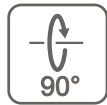
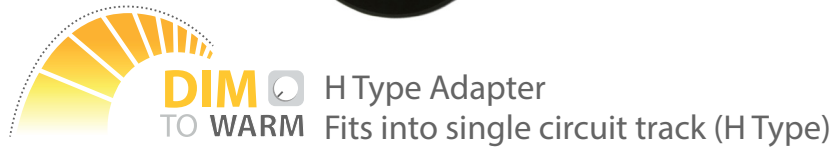


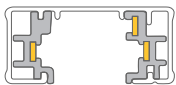
LED Track Light - DIM TO WARM 14W



Product Description

Dim to Warm Technology. LED track light is specially designed for task and accent lighting. Capable for warm intimate lighting to cooler day time light. Developed for residential spaces and lower-mounted commercial applications.

Compatible Track system: Halo



Features

- Interchangeable Beam: 15°, 24°, 40°, 60°
- CAMETA anti-glare design and with shielding angle to reduce wide beam angle glare lights
- Integral driver, isolated circuit
- 350° rotation (horizontal), 90° adjustable (vertical)
- Self-cleaning thanks to the cylinder shape
- Lifespan (hrs): 50,000hr
- 5 year warranty
- Passive cooling achieved by innovative thermal design.

Specification

Input Voltage	120VAC, 50/60Hz
Power	14W
Power Factor	0.98
Color	2000K-3000K
Light Source	Sharp COB LED

Adapter	H-Type (HALO), 3 Wire, 1 Circuit
Dimmable	Triac dimming
Construction	Die-cast aluminum with removable front cap for lenses or accessories
Finish	Powder coated Black and White

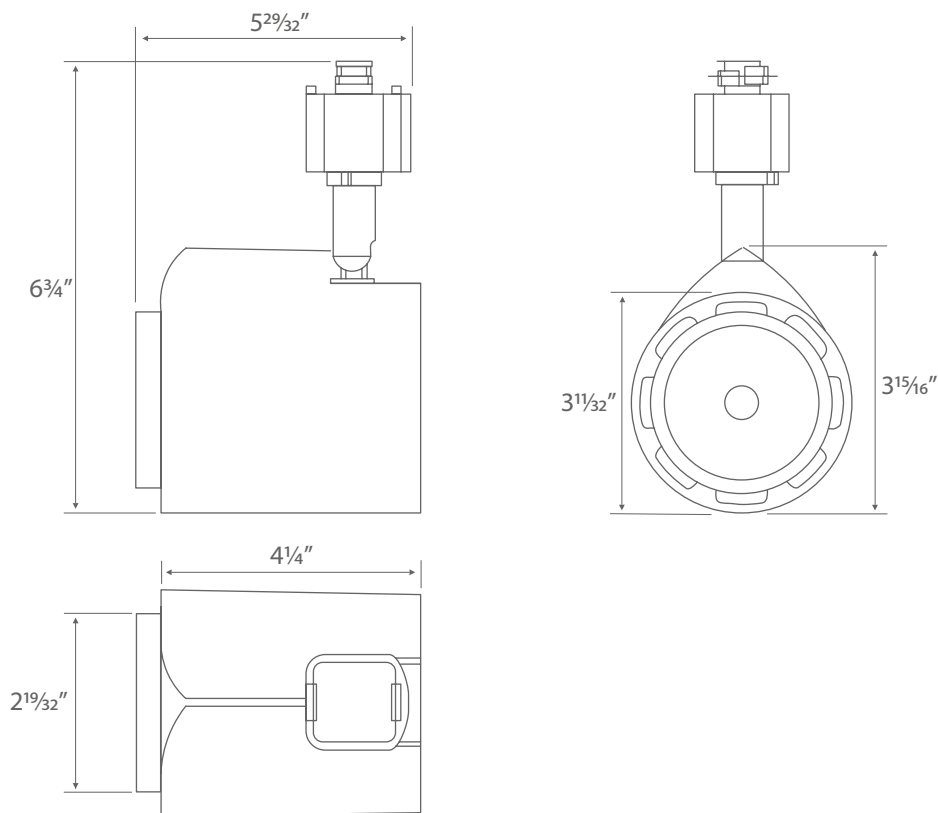
Models

Track	Model No.	CCT Adjustable	Brightness (LM) Adjustable	CRI	Beam Angle	Finish
H Track	GL-TR-DTW-14-H-B-3000K-40	2000K-2850K	10-900LM	95+	40 °	Black
H Track	GL-TR-DTW-14-H-W-3000K-40	2000K-2850K	10-900LM	95+	40 °	White

Packaging

Unit Box	Length x Width x Height	Net Weight
	7 ³ / ₁₆ X 5 ¹⁷ / ₃₂ X 4 ¹¹ / ₃₂ in	1.54lb

Dimension



Accessories (Sold Separately)

Lens can be changed with different beam angles.



Barn Door
TK-BD1-B
TK-BD1-W



Oval Snoot
TK-OS1-B
TK-OS1-W



Honeycomb
TK-HC1-B
TK-HC1-W



Snoot
TK-SN1-B
TK-SN1-W



15° , 24° , 60° Lens
GL-TR-LENS-14W-22W-15
GL-TR-LENS-14W-22W-24
GL-TR-LENS-14W-22W-60