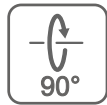
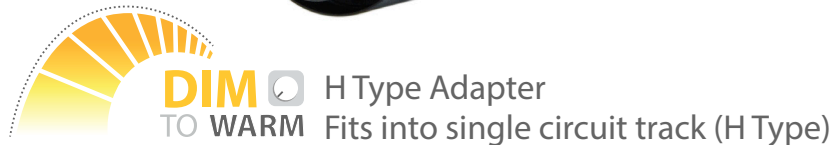


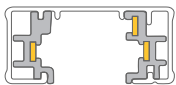
# LED Track Light - DIM TO WARM 10W



## Product Description

Dim to Warm Technology. LED track light is specially designed for task and accent lighting. Capable for warm intimate lighting to cooler day time light. Developed for residential spaces and lower-mounted commercial applications.

Compatible Track system: Halo



## Features

- Interchangeable Beam: 24°, 40°, 60°
- CAMETA anti-glare design and with shielding angle to reduce wide beam angle glare lights
- Integral driver, isolated circuit
- 350° rotation (horizontal), 90° adjustable (vertical)
- Self-cleaning thanks to the cylinder shape
- Lifespan (hrs): 50,000hr
- 5 year warranty
- Passive cooling achieved by innovative thermal design.

## Specification

<b>Input Voltage</b>	120VAC, 50/60Hz
<b>Power</b>	10W
<b>Power Factor</b>	0.99
<b>Color</b>	2000k-2850k
<b>Light Source</b>	Sharp COB LED

<b>Adapter</b>	H-Type (HALO), 3 Wire, 1 Circuit
<b>Dimmable</b>	Triac dimming
<b>Construction</b>	Die-cast aluminum with removable front cap for lenses or accessories
<b>Finish</b>	Powder coated Black and White

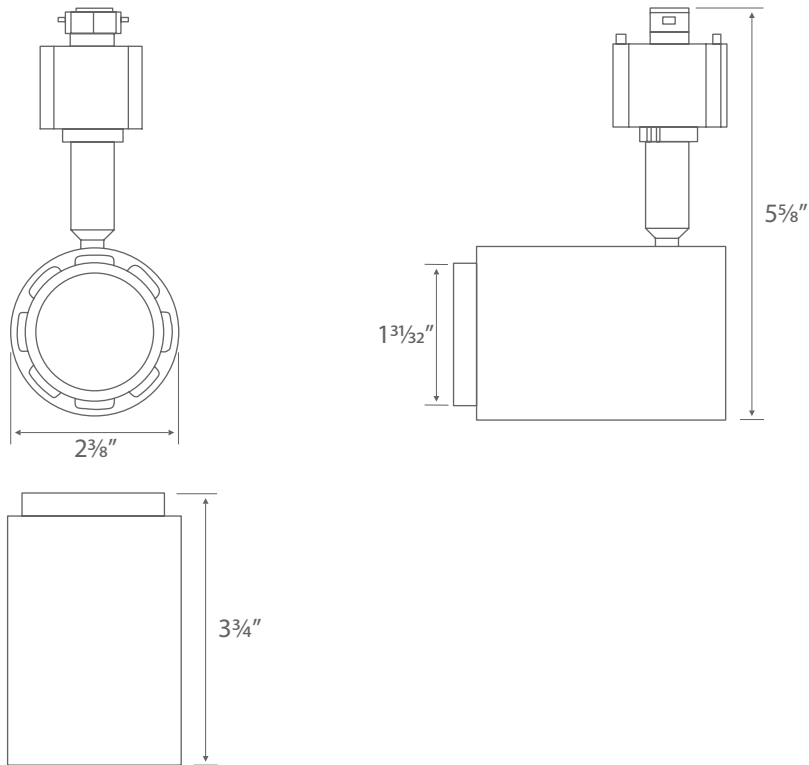
## Models

Track	Model No.	CCT Adjustable	Brightness (LM) Adjustable	CRI	Beam Angle	Finish
H Track	GL-TR-DTW-10-H-B-3000K-40	2000K-2850K	10-610LM	95+	40 °	Black
H Track	GL-TR-DTW-10-H-W-3000K-40	2000K-2850K	10-610LM	95+	40 °	White

## Packaging

Unit Box	Length x Width x Height	Net Weight
	6 <sup>29</sup> / <sub>32</sub> x 4 <sup>1</sup> / <sub>2</sub> x 3 <sup>9</sup> / <sub>32</sub> in	0.75lb

## Dimension



## Accessories (Sold Separately)

Lens can be changed with different beam angles.



24° Lens  
**GL-TR-LENS-10W-24**



60° Lens  
**GL-TR-LENS-10W-60**