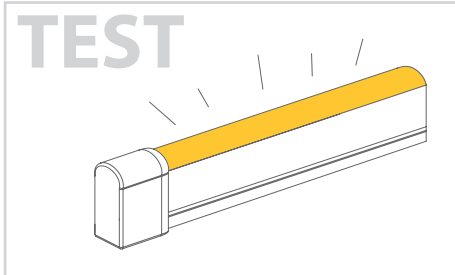


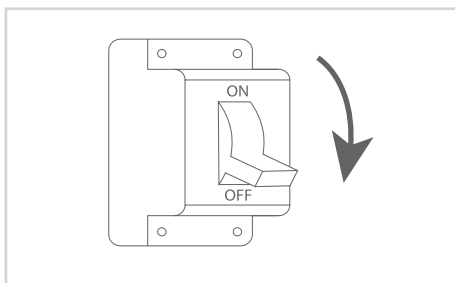
LED Side Bend Neon Light Use Manual-RGB

Before Installation

1. When purchasing low voltage LED Neon light, Please check all parts of the product are in well functional condition.

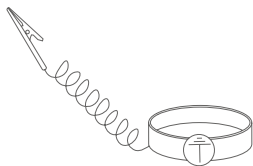


2. Before installation, always test the connection to ensure that the LED side bend neon lights are operating correctly. If there is any issue with the LED side bend neon lights before installation, please contact our customer services for returning and exchanging.



3. Always turn off the power at circuit breaker before any LED side bend neon lights installation.

4. Always make sure to have antistatic wrist strap or antistatic gloves prepared for LED side bend neon light installation.



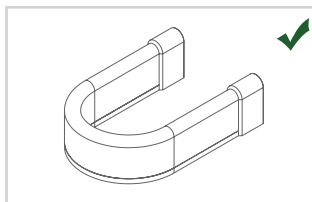
Antistatic Wrist Strap



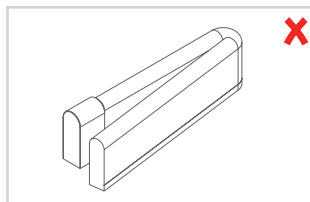
Antistatic Gloves

5. Installation and connection of LED side bend neon light should be performed by a qualified professional, and follow all the safety regulations.

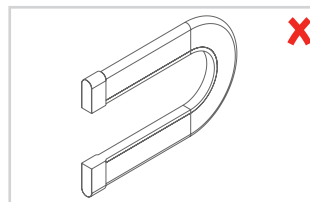
Handle Products with Care



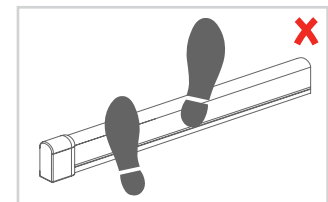
Bending LED side bend neon light from side.



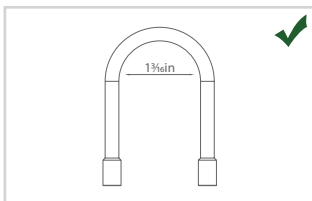
DO NOT fold side bend neon light during installation.



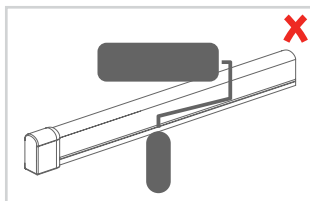
DO NOT bend the side bend neon light from top.



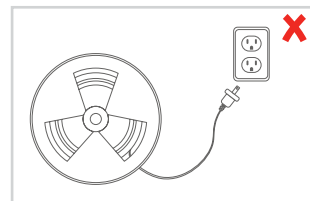
DO NOT step on or put any object on side bend neon light.



The bending radian must be wider than 1 3/16in.



DO NOT paint the side bend neon light.

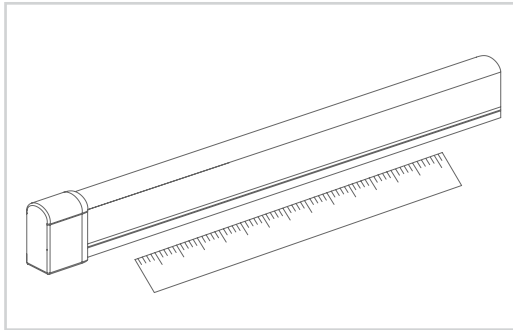


DO NOT plug in to power directly.

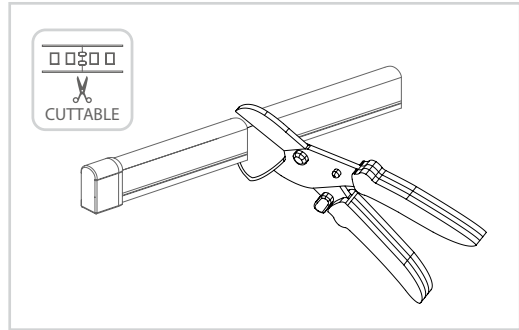


DO NOT power the light while its still coiled.

Installation Instructions

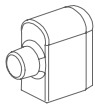


1. Before cutting the side bend neon light, always measure and calculate the length needed. You can cut **anywhere** on side bend neon light.



2. Cut **anywhere** on side bend neon light. The electrostatic ring is needed at this step.

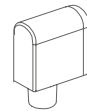
Connecting Accessories



Rear Feed End Cap
GL-WINT-RFEC



Side Feed End Cap
GL-WINT-SFEC

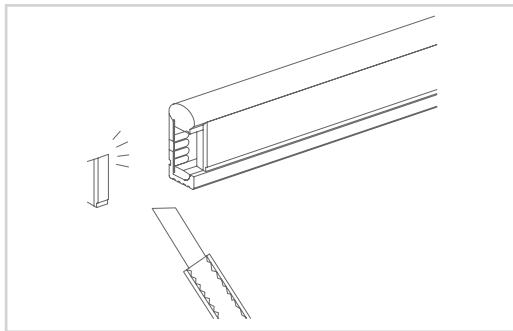


Bottom End Cap
GL-WINT-BTEC

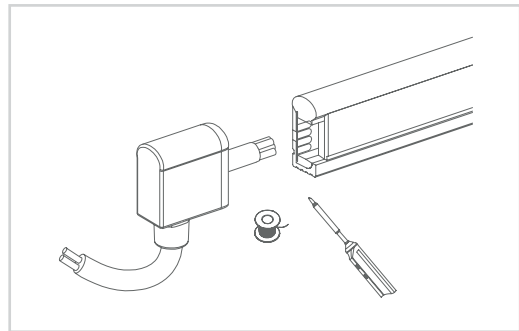


End Cap
GL-WINT-EC

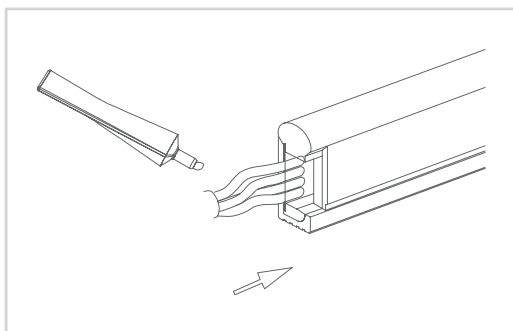
Connection Instructions



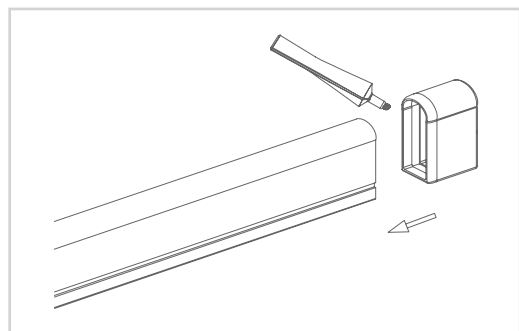
1. Remove about 1/8in of silicone on Side bend neon light after cutting the desired length.



2. Solder the wire to to solder pad inside the Side bend neon light.



3. Fill end cap with silicone glue. Insert light to the end cap.



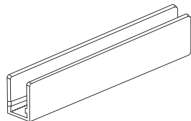
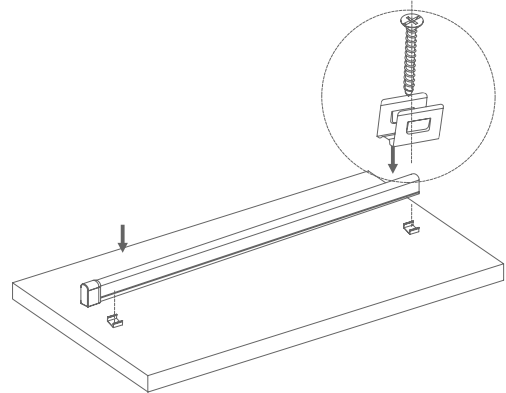
4. Fill another end cap with silicon glue. Then connect end cap with the light.

Mounting Accessories Instruction



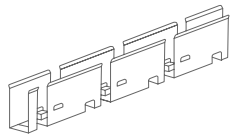
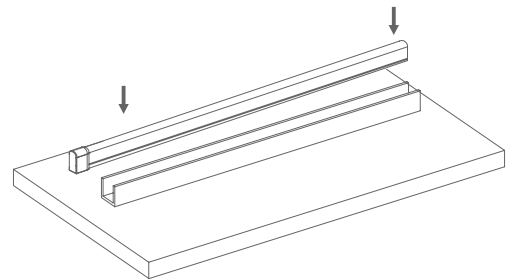
Mounting Clip
GL-WINT-MCL

- Use screwdriver and screws to lock the mounting clip to chosen surface.
- Press down the side bend neon light until it snaps into the clips.



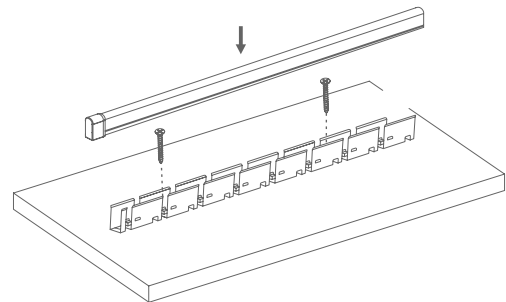
Mounting Channel
GL-WINT-MCH

- Install Mounting channel onto chosen surface.
- Take out the side bend neon light and press it into mounting channel until they snap.

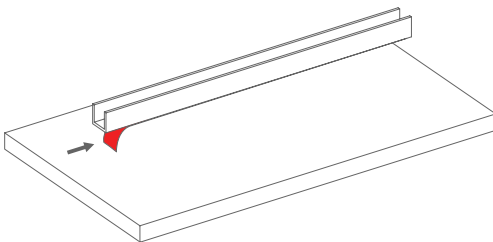


Bendable Bracket
GL-WINT-BDMB

- Screw Bendable Bracket onto chosen surface with desired shape.
- Take out the side bend neon light and press it into mounting channel until they snap.

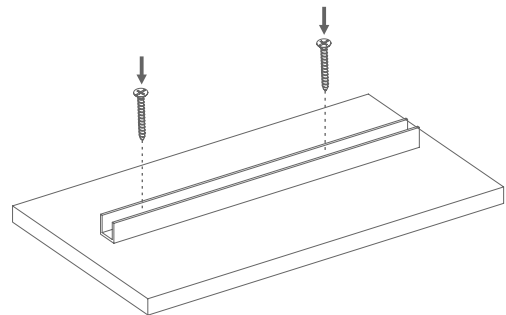


Mounting Channel Installation Options



Installing with 3M VHB Double Side Tape (sold separately)

Note: For better results, please see the 3M VHB Double Side Tape Specification on our website.



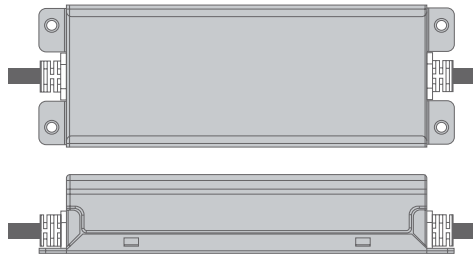
Installing with screws

Compatible Transformers

Transformers for RGB LED side bend neon lights can be compatible all LED Non-Dimmable Transformers. Make sure to also install a compatible RGB controller or switch to pair with the receiver.

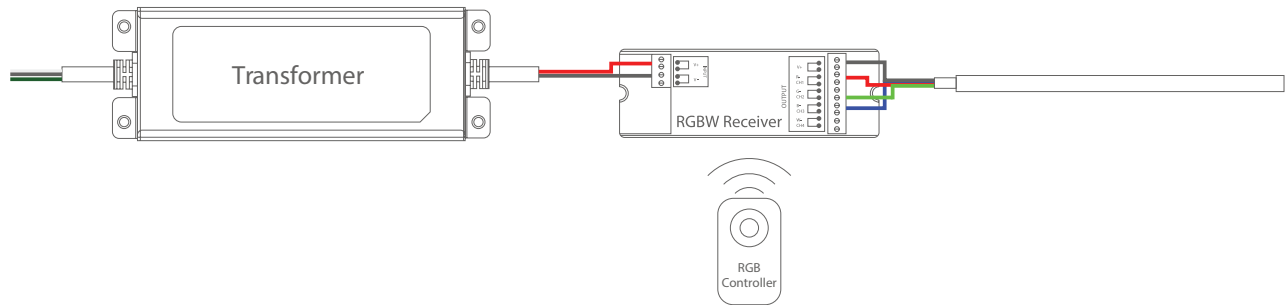
Suggestions of supporting power supply: indoor dry location +25%; outdoor environment +50% (For details please check our website : <https://gllledus.com/pages/videos>).

LED Non-Dimmable Transformer



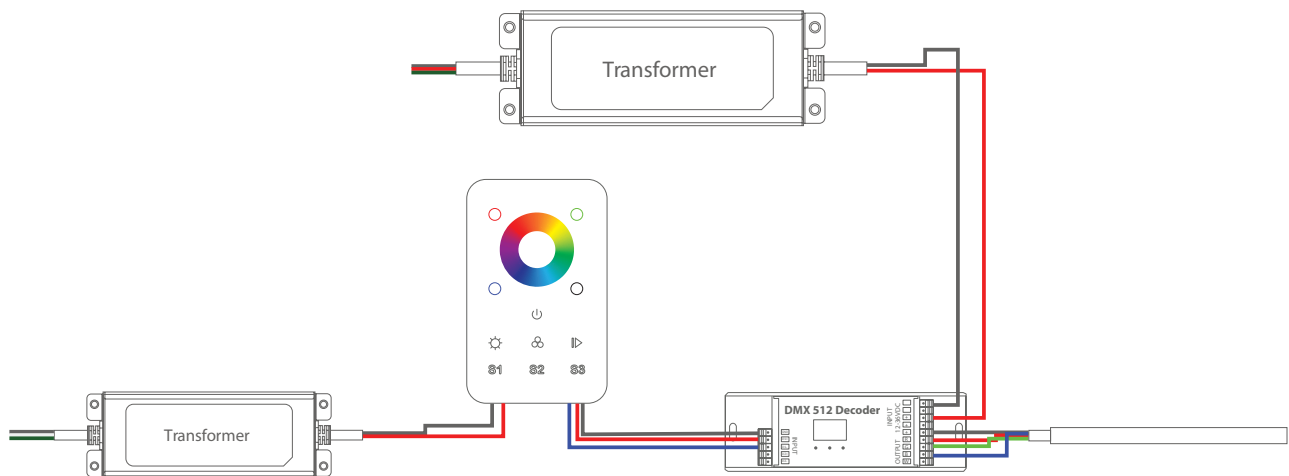
Wireless Controller

Wireless controller is easily installed, and suitable for small projects.



DMX RGBW Wall Mount Controller

DMX wall mount controller has better signals, and is more stabilized than wireless controller.



*These diagrams are for references only. Please see LED Transformer Specification for a more accurate diagram.