

LED Power Supply - GL AC/DC ADAPTER YHY-60W-24V



This power supply provide portable, easy-to-install power for LED lights such as strips and light bars. Recommended for both temporary small load installations and permanent ones where a driver cannot be installed. They featured DC plugs that connect directly to the lights that are installed with DC plugs.

Features

- Output constant voltage.
- Protection:short circuit/over loading/ Over temperature.
- Level VI efficiency.
- 50000 hr lifetime.
- Plug-in electronic power supply
- Suitable for low voltageLED lighting.
- UL recognized.



Specification

Input

Voltage Range	100-240VAC
Frequency Range	50/60Hz
AC Wire	18 AWG, 47¼ in

Output

DC Voltage	24V
Rated Current	2.5A
Rated Power	60W
Voltage Tolerance	±5%
Voltage Regulation	±5%
Load Regulation	±5%
DC Wire	20 AWG, 47¼ in

Protection, Safety& EMC

Protection	Short Circuit, Over Loading, Over Temperature
Safety Standards	UL 1310
Withstand Voltage	3KV
Isolation Resistance	Double Insulation
EMC EMISSION	FCC CFR Title 47 Part 15 Subpart B

Environment

Working Temperature	32°F to 104°F
Working Humidity	5 to 90%RH
Storage Temp. Humidity	-4°F to 176°F
Temp. Coefficient	0.6
Vibration	Operating: IEC 721-3-3 3M3, 5~9Hz,A=1.5mm

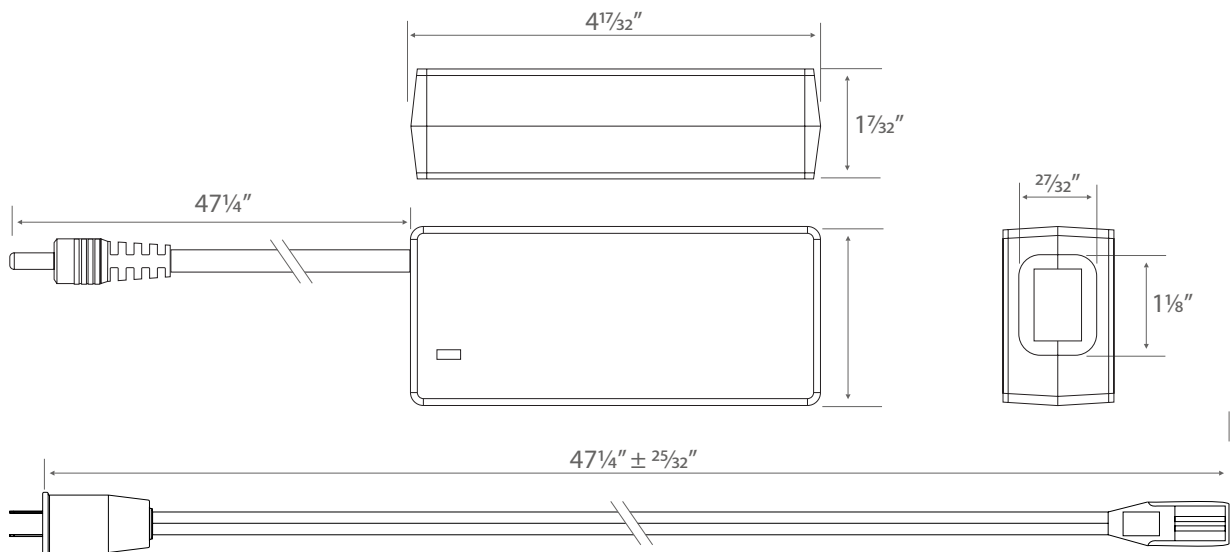
Others

Working Noise	≤30dB
Lifetime	50000h
Net Weight	0.66lb
Size (L x W x H)	4 ¹⁷ / ₃₂ x 1 ³¹ / ₃₂ x 1 ⁷ / ₃₂ in

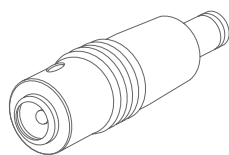
Order Information

Series	Power	Voltage
YHY	60W	24V

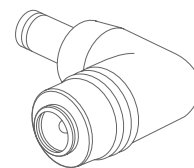
Dimensions



Optional Accessories (Sold Separately)



DC Power Plug Converter P1J-P11
DC-PLUG-P1J-P11



DC Power Plug Converter P1J-P11R
DC-PLUG-P1J-P11R