

LED Power Adapter - TPZ-96W-24V



TPZ Series LED Transformers are an excellent solution for powering low voltage LED lights such as strips and light bars and plugging into the wall directly.

Features

- 120VAC input
- 12VDC or 24VDC output versions available
- 5.5 mm barrel connector output
- 1-15P wall plug
- UL listed
- 2yrs warranty



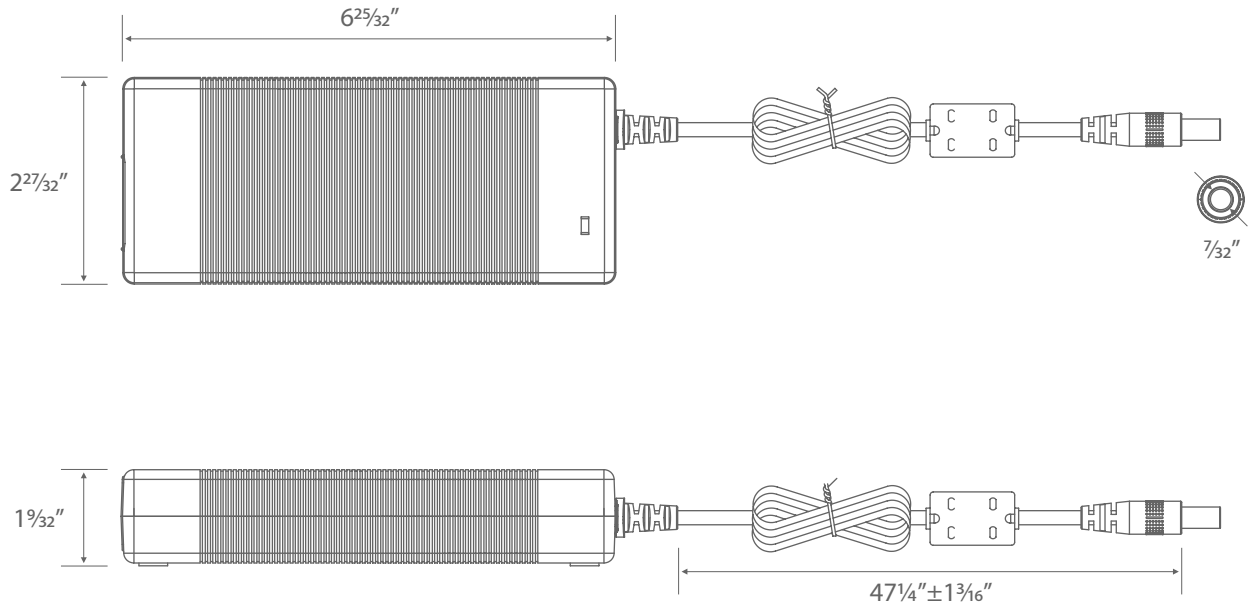
Specification

Input Voltage	100-240VAC
Maximum Input Current	2A
Input Connection	1-15P (standard two-prong wall plug)
Output Voltage	24VDC
Output Wattage	96W
Maximum Output Current	4A
Output Connection	DC barrel jack (7/32" / 3/32")
Ambient Operating Temperature	32°-104°F

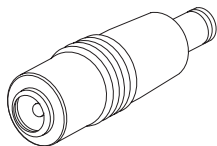
Order Information

Series	Power	Voltage
TPZ	96W	24V

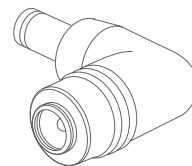
Dimensions



Optional Accessories (Sold Separately)



DC Power Plug Converter P1J-P1I
DC-PLUG-P1J-P1I



DC Power Plug Converter P1J-P1IR
DC-PLUG-P1J-P1IR