

LED Power Adapter - **DVE-12W-12V**

DVE Series LED Transformers are an excellent solution for powering low voltage LED lights such as strips and light bars and plugging into the wall directly.

### Features

- 5.5 mm barrel connector output
- 120VAC input
- 12VDC output
- 1-15P wall plug
- UL listed
- 2yrs warranty



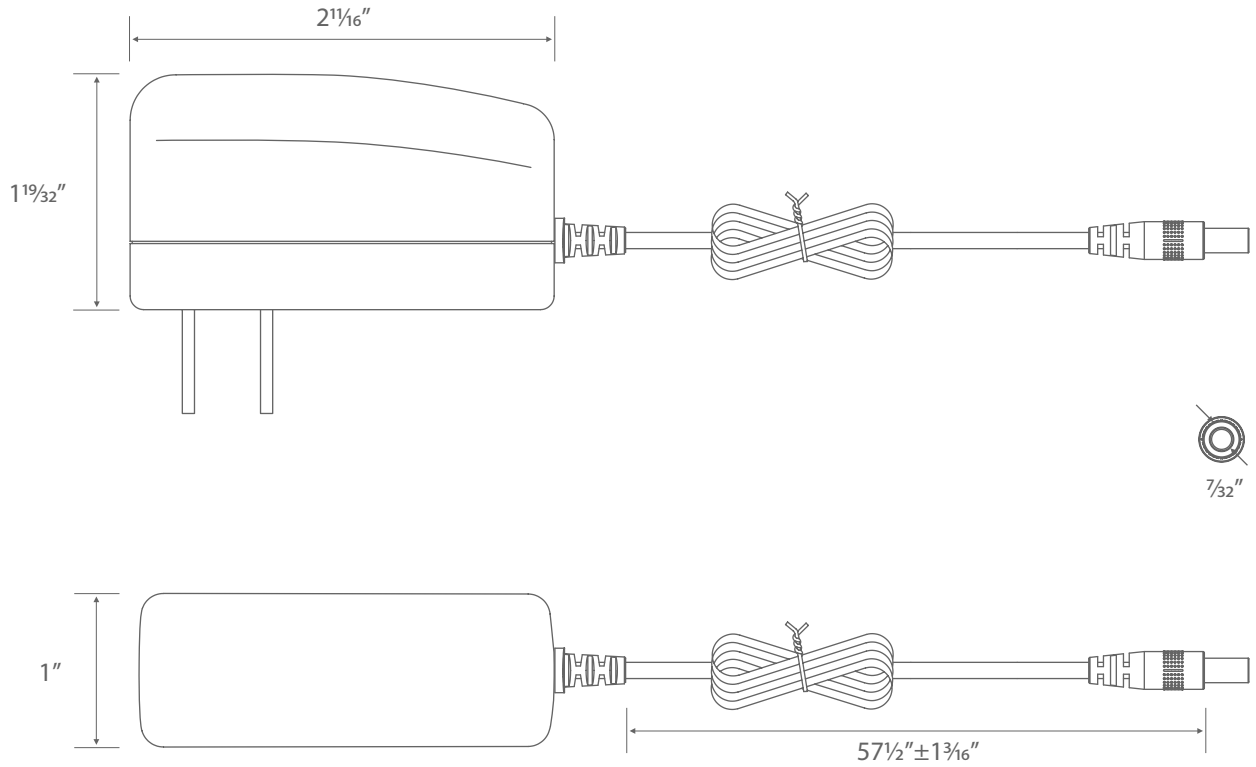
### Specification

<b>Input Voltage</b>	100-240VAC
<b>Maximum Input Current</b>	0.5A
<b>Input Connection</b>	1-15P (standard two-prong wall plug)
<b>Output Voltage</b>	12VDC
<b>Output Wattage</b>	12W
<b>Maximum Output Current</b>	1A
<b>Output Connection</b>	DC barrel jack (7/32" / 3/32")
<b>Ambient Operating Temperature</b>	32°-104°F

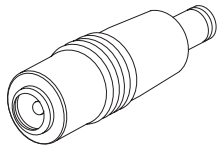
### Order Information

Series	Power	Voltage
<b>DVE</b>	<b>12W</b>	<b>12V</b>

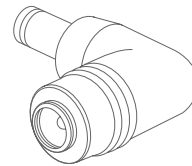
## Dimensions



## Optional Accessories (Sold Separately)



DC Power Plug Converter P1J-P11  
**DC-PLUG-P1J-P11**



DC Power Plug Converter P1J-P11R  
**DC-PLUG-P1J-P11R**