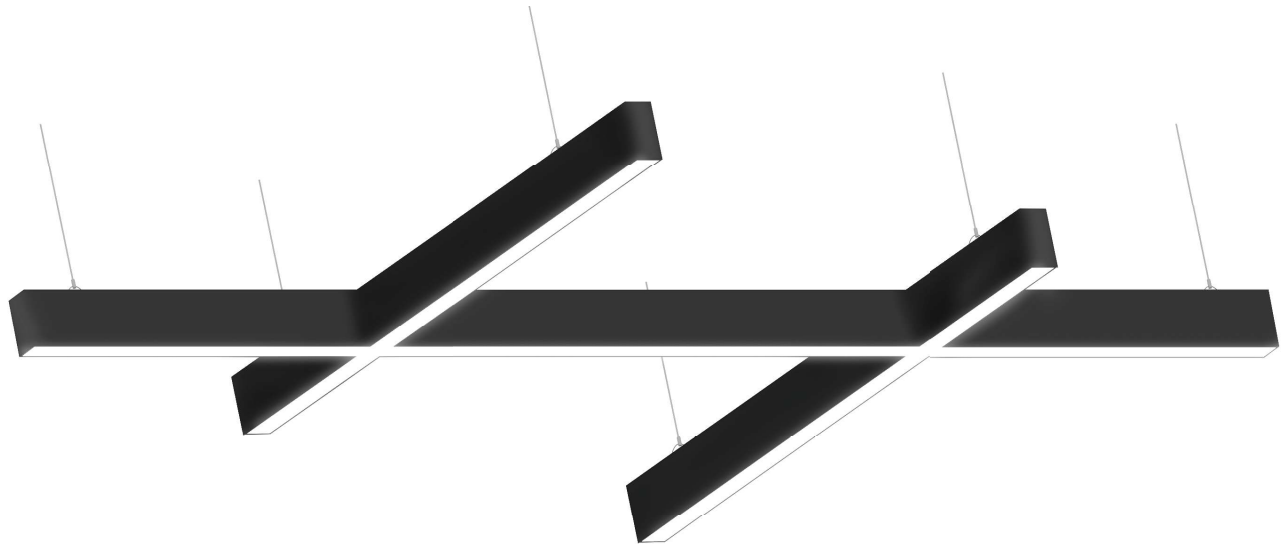


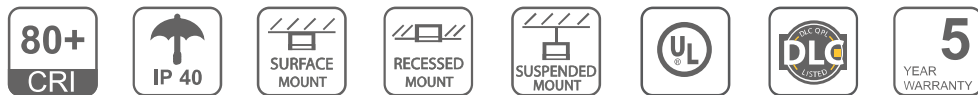
# LED Linear Light - CONTINUOUS RUN L8456



LED linear light is exclusively designed for designer and architect with imagination and personal style. LED linear light adopt premium aluminum profile, different dimension and size. No need to worry about any assembling work. They come in one piece as the finished product, very easy to install. The Continuous Run (L-8456) can interlock together up to 120ft and is compatible with our L shape and Cross shape to achieve different designs as needed.

## Features

- Suitable for home, office and any appropriate indoor space.
- Continuous run up to **120 ft**.
- Linear, L shape and cross shape can be connected for different design.
- Connect to line voltage (100-277VAC) directly.
- Various installation: Suspended, Surface and Recessed Mounting.
- 0-10V Dimming.
- Lifespan (hrs): 50,000hr.
- 5 year warranty.






## Specification

<b>Length</b>	4ft		L-shaped 2+2ft		Cross-shaped 2x2ft		8ft		<b>LED Type</b>	2835	
<b>Power</b>	40W						75W		<b>Reflector</b>	Milky	
<b>Color</b>	3000K	4000K	3000K	4000K	3000K	4000K	3000K	4000K	<b>Dimmable</b>	0-10V Dimming	
<b>Brightness</b>	4120lm	4280lm	4080lm	4120lm	4240lm	4320lm	7650lm	7725lm	<b>Beam angle</b>	110°	
<b>Input Voltage</b>	AC100-277V 50Hz						AC100-277V 60Hz		<b>Max Run</b>	120ft	
<b>IP Level</b>	IP40(Non-waterproof)									<b>CRI</b>	80+
<b>Installation</b>	Suspended, Surface and Recessed Mounting									<b>Power Factor</b>	0.95+
<b>Pre-Wired</b>	5 wires, 14AWG copper core, L, N, G, DIM+, DIM-									<b>Finish</b>	Black,White

## Order Information

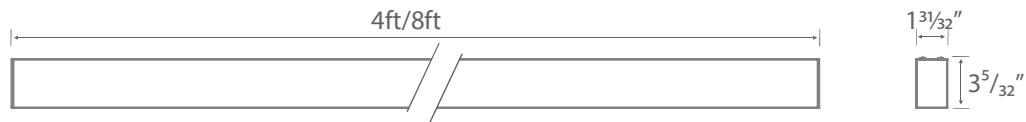
Model No.	Shape	Power	Length(ft)	Finish	Color Temperature
L-8456	Blank-Straight 4ft/8ft L-L-shaped R-Cross-shaped	40-40W 75-75W	4-4ft 8-8ft	W-White B-Black	3000K 4000K

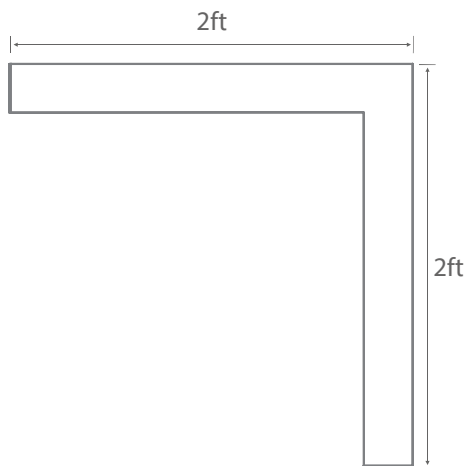
## Packaging

Product	Net Weight	Gross Weight /CTN	Inner size (L x W x H)	Carton size (L x W x H)	Package
L8456 4ft Straight Lamp	7.14lb	54.67lb	50 <sup>5</sup> / <sub>32</sub> x 5 <sup>1</sup> / <sub>8</sub> x 4 <sup>3</sup> / <sub>16</sub> in	50 <sup>23</sup> / <sub>32</sub> x 15 <sup>29</sup> / <sub>32</sub> x 9 <sup>1</sup> / <sub>16</sub> in	1pcs/inner box, 6 inner boxes/carton
L8456 8ft Straight Lamp	14.33lb	72.75lb	96 <sup>3</sup> / <sub>8</sub> x 5 <sup>1</sup> / <sub>4</sub> x 4 <sup>11</sup> / <sub>32</sub> in	96 <sup>15</sup> / <sub>16</sub> x 16 <sup>9</sup> / <sub>32</sub> x 9 <sup>1</sup> / <sub>16</sub> in	1pcs/inner box, 4 inner boxes/carton
L8456 "L" Shape Lamp	7.26lb	36.66lb	28 <sup>15</sup> / <sub>16</sub> x 4 <sup>5</sup> / <sub>32</sub> x 26 <sup>29</sup> / <sub>32</sub> in	29 <sup>17</sup> / <sub>32</sub> x 8 <sup>7</sup> / <sub>8</sub> x 3 <sup>5</sup> / <sub>16</sub> in	2pcs/inner box, 2 inner boxes/ carton
L8456 "+" Shape Lamp	8.08lb	21.64lb	28 <sup>1</sup> / <sub>4</sub> x 28 <sup>1</sup> / <sub>4</sub> x 26 <sup>29</sup> / <sub>32</sub> in	24 <sup>7</sup> / <sub>8</sub> x 4 <sup>5</sup> / <sub>32</sub> x 22 <sup>9</sup> / <sub>32</sub> in	1pcs/inner box, 2 inner boxes/ carton

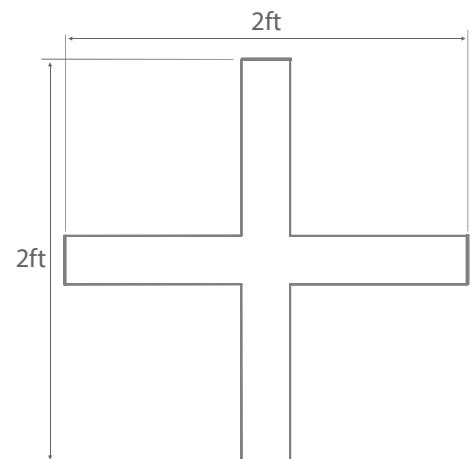
## Dimension



Straight Lamp



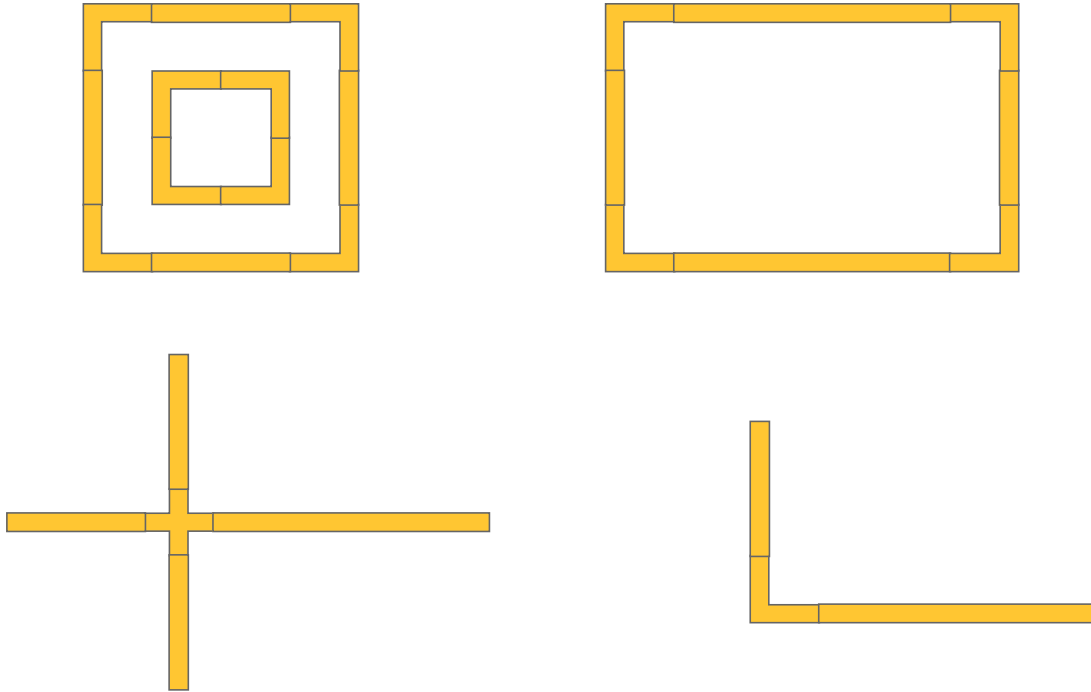
"L" Shape Lamp



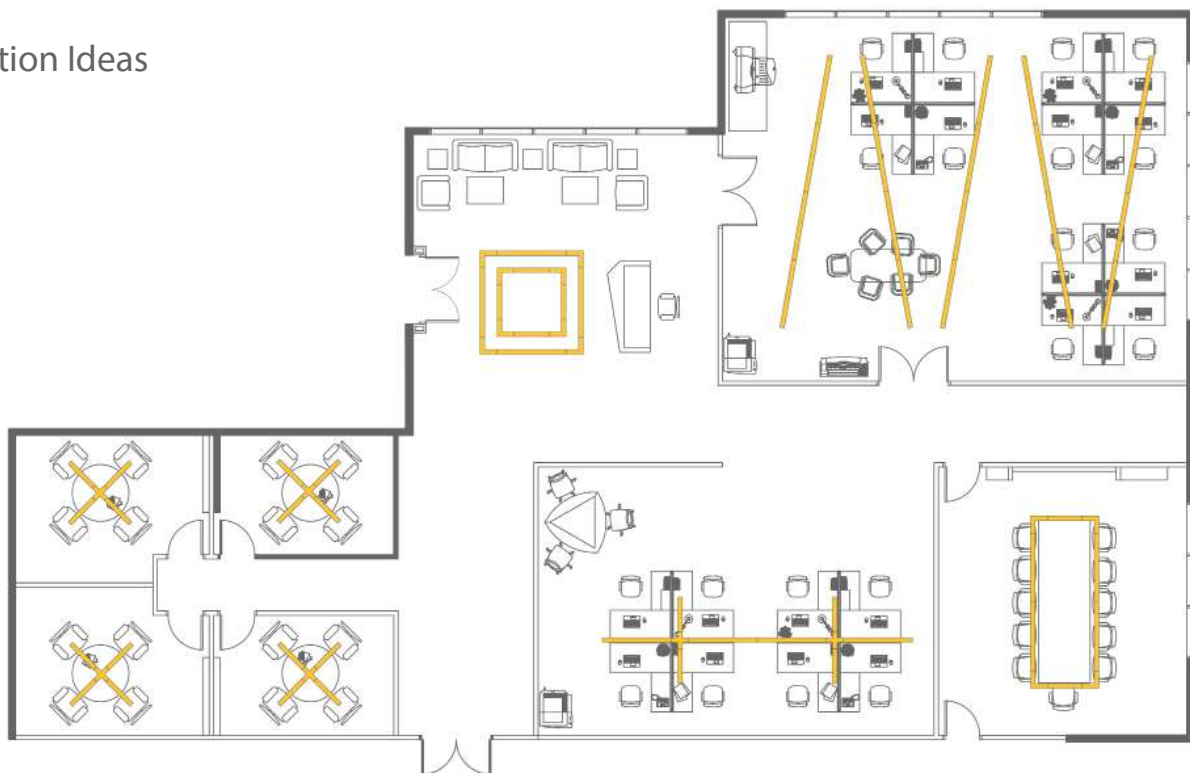
"+" Shape Lamp

## Light Form Ideas

Continuous seamless run when connected.



## Application Ideas



## Before Ordering

- End caps are NOT included for "L" Shape Lamp and "+" Shape Lamp. If needed, please order separately.
- Each continuous line needs one Master Kit, which includes a **Power Connection Kit**. Order them online with mounting accessories.

## Accessories & Functional Accessories (Sold Separately)



Single Run L8456  
- Suspension Canopy Kit  
**SCK-PF-H2-X2-X**  
**SCK-NPF-H1-X2-X**



Single Run L8456  
- Recessed Kit  
**L-8456-RCK**

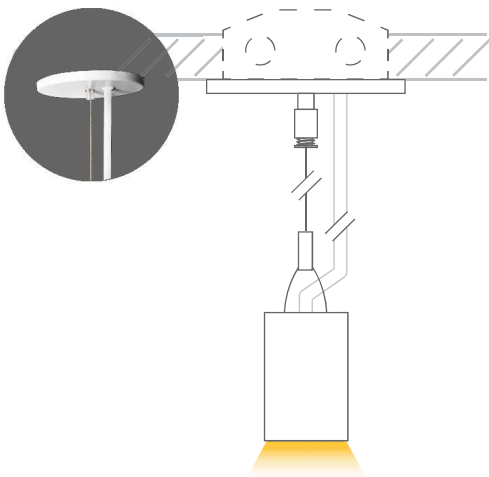


Single Run L8456  
- Surface Mount Kit  
**L-8456-SFMK**

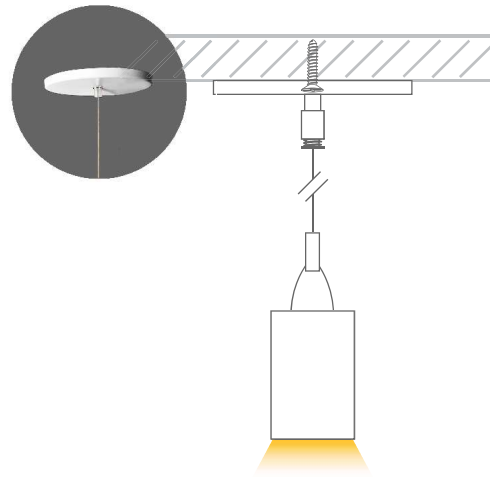


Emergency Driver  
**YH29FA-25VL**

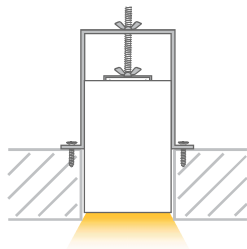
## Mounting Options



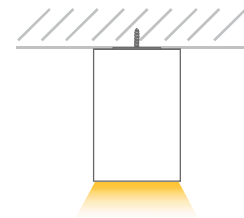
Suspended Mounting  
with Power Feed Canopy Kit - Type A2



Suspended Mounting  
with Non-Power Feed Canopy Kit - Type D2



Recessed Mounting with Recessed Kit



Surface Mounting with Surface Mount Kit

\*These diagrams are for references only. For more canopy kit options please visit LED Linear Light Accessories on website.