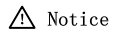


# LED FLOOD LIGHT

## Installation guide



Notice

### PLEASE READ ALL INSTRUCTIONS BEFORE ATTEMPTING INSTALLATION

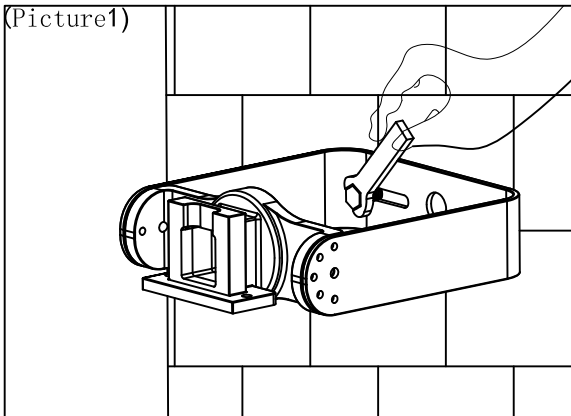
- To prevent personal injury or product damage only licensed electricians should install.
- To avoid electric shock or component damage disconnect power before attempting installation or servicing.
- This product must be installed in accordance with the national electric code (NEC) and all applicable federal, state and local electric codes and safety standards.
- Disconnect product and allow cooling prior to servicing.
- Any alteration or modification of this product is expressly forbidden as it may cause serious personal injury, death, property damage and/or product malfunction.
- To prevent product malfunction and/or electrical shock this product must be properly grounded.
- This luminaire is designed to operate in ambient temperatures ranging from -30°C to 45°C and to be horizontally mounted with the LEDs facing down.

## Unpacking

Check the damage fixture thoroughly, Report to the carrier if goods damaged

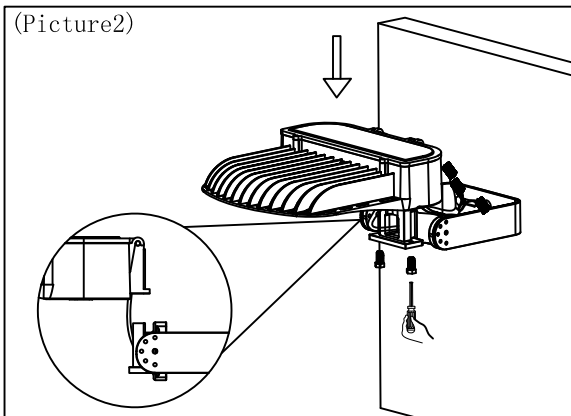
## 1. Installation

(Picture1)



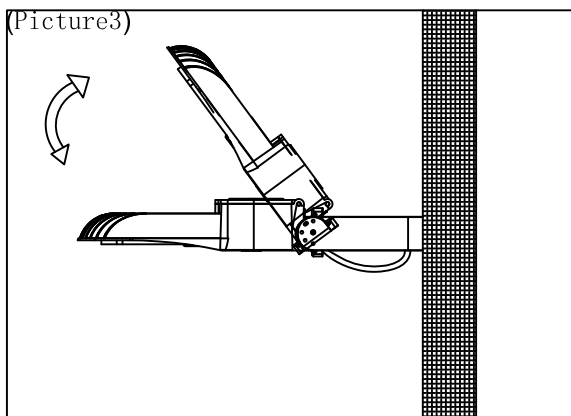
1. Fix the bracket on the wall and tighten the screw. (as shown in the picture)

(Picture2)



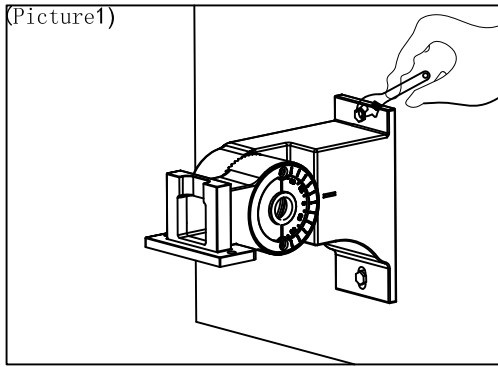
2. The luminaire is mounted on the bracket adapter, and tighten two fastening screws at the bottom of the bracket adapter, and then connect the power supply AC line of the arm adaptor according to the requirements. (as shown in the picture)

(Picture3)



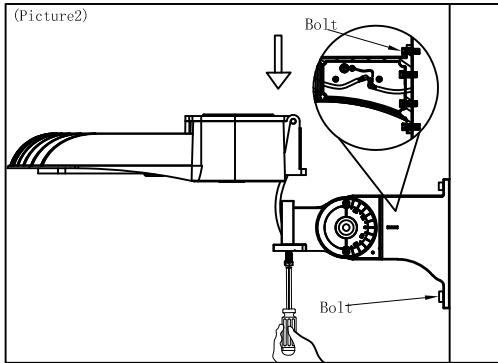
3. according to the use environment of lamps and lanterns, customers can adjust the rotation angle of lamps and lanterns.

## 2. Installation

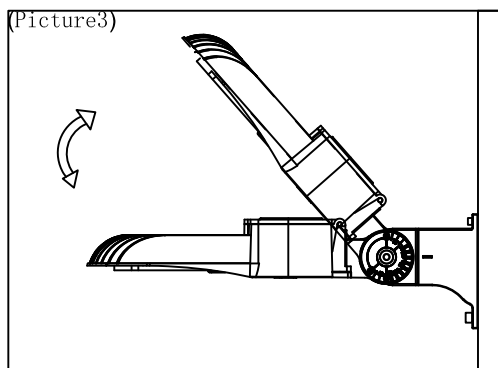


1. Fix the ARM adapter on the wall and tighten the screws. (as shown in the picture)

Note: A listed canopy (IFFX/7) must be provided by client and mount it between outlet box and luminaire.

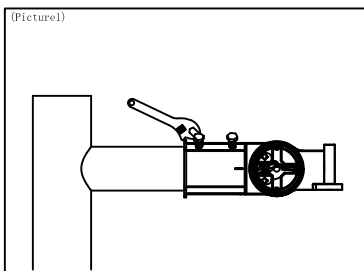


2. luminaire is installed on the arm adapter and tighten two fastening screws at the bottom of the arm adapter, then connect the power supply AC line in the arm adapter according to the requirements. (as shown in the picture)

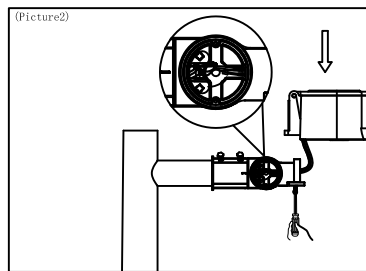


3. according to the use environment of lamps and lanterns, customers can adjust the rotation angle of lamps and lanterns.

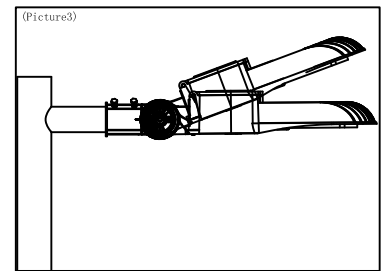
## 3. Installation



1 install the slip sleeve installer on the garden pole and tighten the screws, then connect the power cord. (as shown in the picture)

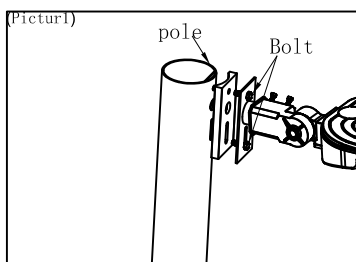


2. Fix the luminaire on SLIP FITTER and tighten the bottom screw. (as shown in the picture)



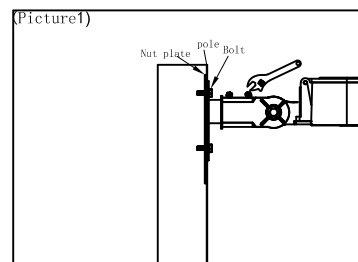
3. Adjust the angle of the lamps and lanterns according to the requirements. (as shown in the picture)

## 4. Installation



Drill holes on the garden rod corresponding to the hole on the square adapter, and fix the fixture to the adapter with bolts and nut plates.

## 5. Installation



Drill holes on the square pole corresponding to the holes on the arm, and use the bolt and nut plate to fix the fixture to the pole tightly

# Installation guide

