

LED Dimmable Driver - P-50W-24V



P Series 24V 50W LED Dimmable Driver provide smooth, stable, efficient, and flicker-free dimming capability for lighting. Suitable for LED lighting applications.

Features

- Output constant voltage.
- Universal AC input: 100-130VAC
- Protection: short circuit/over loading/over temperature.
- Full protection aluminum housing.
- Easy installation.
- Strong compatibility, flicker-free dimming.
- Compatible with Forward phase, Magnetic low voltage, Triac Dimmer
- Suitable for dry or damp location use, IP20.
- Cooling by free air convection.
- 5 years limited warranty.
- ETL listed.



Specification

Input

Voltage Range	100-130VAC
Frequency Range	47-63Hz
Power Factor (Typ.) @ full load	0.65 (Full loading)
Efficiency(Typ.)@ full load	84%
AC Current(Max.)	1.6A
Leakage current	<0.50mA/120VAC

Output

DC Voltage	24V
Rated Current	2.08A
Rated Power	50W
Voltage Tolerance	±0.5V

Environment

Working Temperature	-40°F to 140°F
Working Humidity	20 to 95%RH, non-condensing
Storage Temp. Humidity	-40°F to 176°F, 10 to 95%RH
Vibration	10 to 500Hz, 2G 12min./1 cycle, period for 72min. each along X,Y,Z axes

Protection, Safety & EMC

Short Circuit	Hiccup mode, recover automatically after fault condition is removed
Over Loading	≤120%
Over Temperature	212°F±50°F shut down o/p voltage, automatically recover after cooling.
Safety Standards	UL8750+UL1310, Class 2 unit
Withstand Voltage	I/P-O/P:1500VAC
Isolation Resistance	I/P-O/P:100MΩ/500VDC/77°F/70%RH
EMC EMISSION	FCC Part 15 B

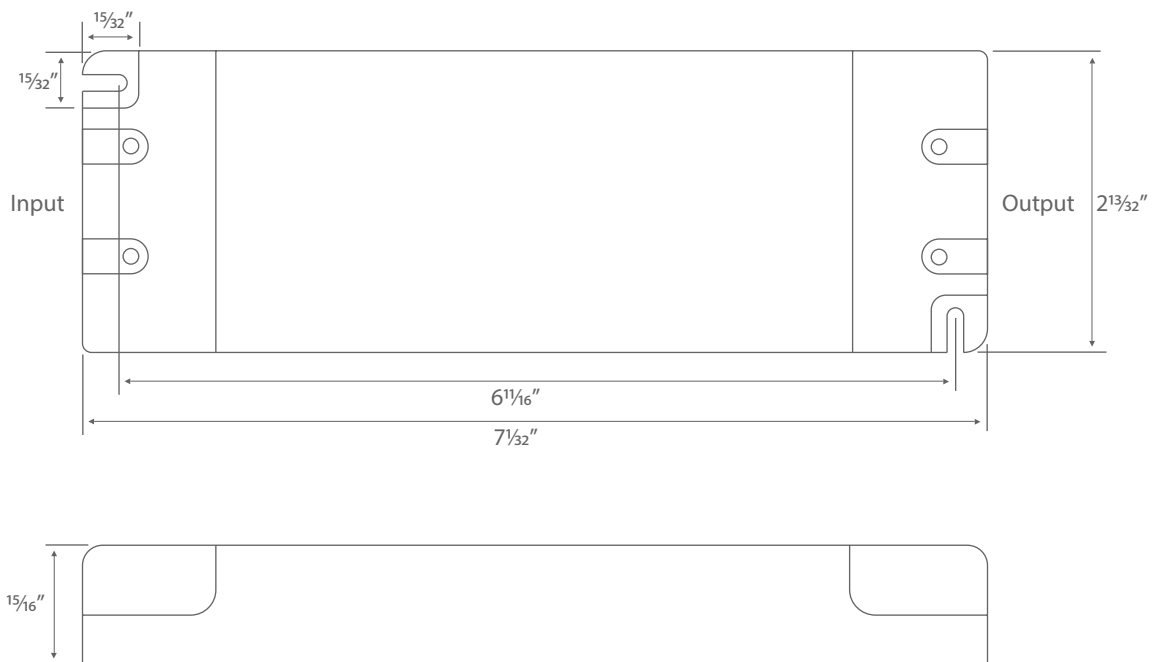
Others

Net Weight	0.77lb
Size (L x W x H)	7 ¹ / ₃₂ x 2 ¹³ / ₃₂ x 1 ¹⁵ / ₁₆ in
Packing	10PCS/CTN

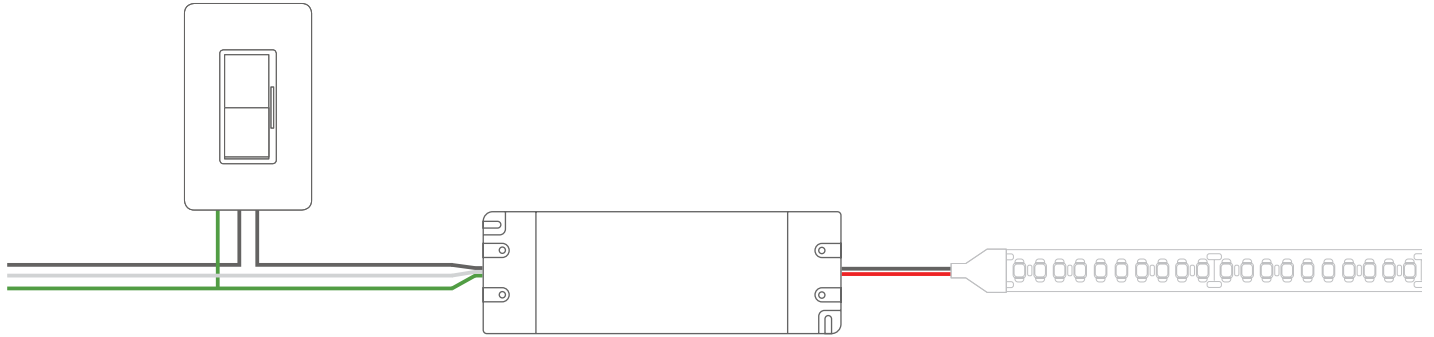
Order Information

Series	Power	Voltage
P	50W	24V

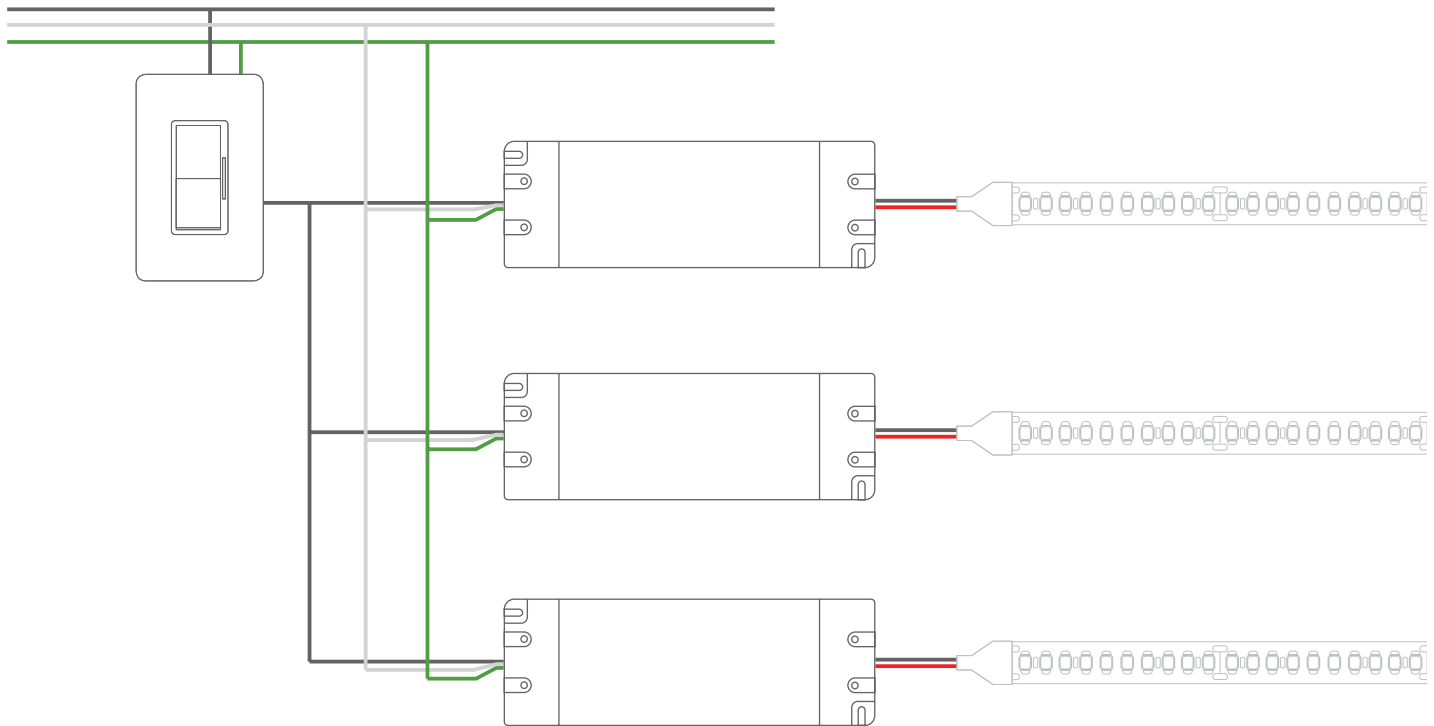
Dimensions



Wiring Diagram



P Series Wiring Diagram with Single Light Fixture



P Series Wiring Diagram with Multiple Light Fixtures

*Thess diagrams are for references only.