

LED Dimmable Driver - F-30W-24V



F Series 24V 30W LED Dimmable Driver provide smooth, stable, efficient, and flicker-free dimming capability for lighting. Suitable for LED lighting applications.

Features

- Output constant voltage.
- Universal AC input: 100-277VAC.
- Protection: short circuit/over loading/over temperature.
- Full protection aluminum housing, for dry, damp and wet location.
- Power Factor: up to 0.99.
- PWM output, does not change the color index.
- Flicker-free.
- Dimming range: 0-100%.
- Cooling by free air convection.
- Load: 10-100%.
- Compatible with Forward phase, Reverse phase, Triac, MLV, ELV Dimmers.
- 5 years limited warranty.
- UL listed.



Specification

Input

Voltage Range	100-277VAC
Frequency Range	47-63Hz
Power Factor (Typ.) @ full load	0.99@120VAC, 0.95@277VAC
THD(Typ.)@ full load	<20%
Efficiency(Typ.)@ full load	79%@120VAC, 80%@277VAC
AC Current(Max.)	0.5A@100VAC
Inrush Current (Typ.)	7A, 50%, 420us @120VAC; 12A, 50%, 480us @277VAC
Leakage current	<0.50mA

Output

DC Voltage	24V
Rated Current	1.25A
Rated Power	30W
Voltage Tolerance	±0.5V
Voltage Regulation	±0.5%
Load Regulation	±1

Environment

Working Temperature	-40°F to 140°F
Working Humidity	20 to 90%RH, non-condensing
Storage Temp. Humidity	-40°F to 176°F, 10 to 95%RH
Temp. Coefficient	±0.03% / °F
Vibration	10 to 500Hz, 5G 10min./1 cycle,period for 60min. each along X,Y,Z axes

GL LED US LIGHTING reserves the right to modify this specification without prior notices.

Protection, Safety& EMC

Short Circuit	Shut down o/p voltage, re-power on to recover after fault condition is removed
Over Loading	≤120% constant current limiting, auto-recovery
Over Temperature	212°F±50°F shut down o/p voltage, automatically recover after cooling.
Safety Standards	UL8750+UL1310
Withstand Voltage	I/P-O/P:1.88KVAC
Isolation Resistance	I/P-O/P:100MΩ/500VDC/77°F/70%RH
EMC EMISSION	FCC Part 15 B

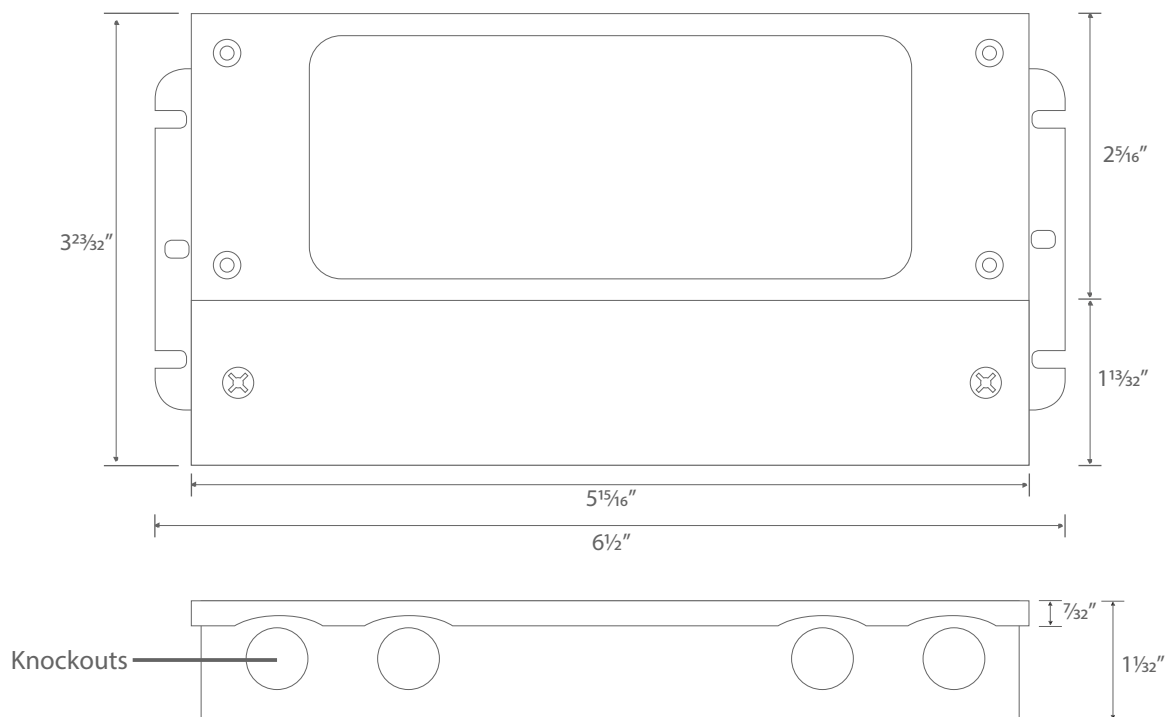
Others

Net Weight	2.12lb
Size (L x W x H)	6½ x 3 ²³ / ₃₂ x 1½ in
Packing	10PCS/CTN

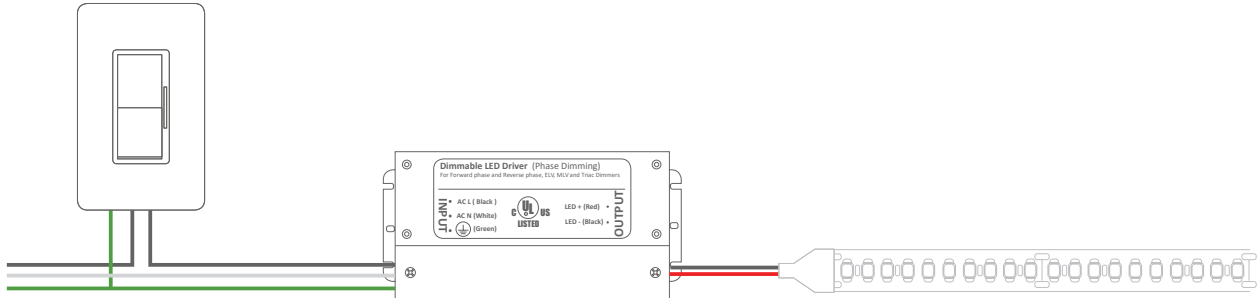
Order Information

Series	Power	Voltage
F	30W	24V

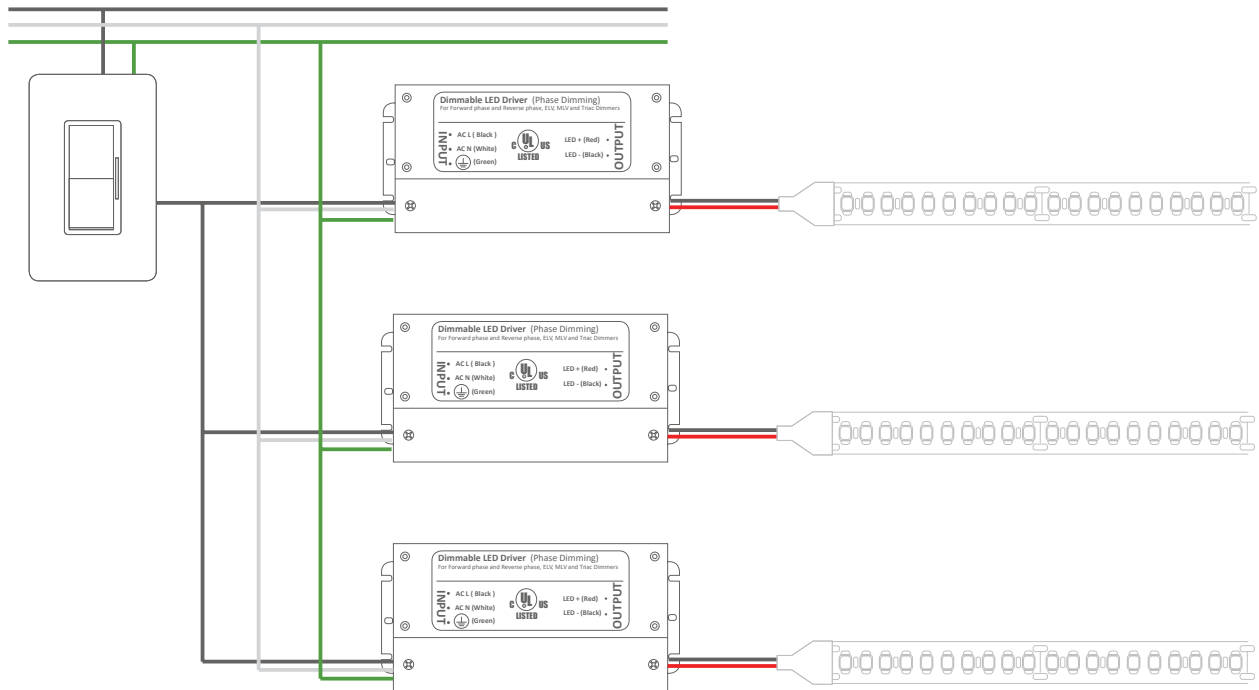
Dimensions



Wiring Diagram



F Series Wiring Diagram with Single Light Fixture



F Series Wiring Diagram with Multiple Light Fixtures

*Thess diagrams are for references only.