

LED Dimmable Driver - F-100W-12V



F Series 12V 100W LED Dimmable Driver provide smooth, stable, efficient, and flicker-free dimming capability for lighting. Suitable for LED lighting applications.

Features

- Output constant voltage.
- Universal AC input: 100-277VAC.
- Protection: short circuit/over loading/over temperature.
- Full protection aluminum housing, for dry, damp and wet location.
- Power Factor: up to 0.99.
- PWM output, does not change the color index.
- Flicker-free.
- Dimming function: Phase dimming: work with forward phase/leading edge, MLV and reverse phase/trailing edge, ELV, TRIAC dimmers.
- Dimming range: 0-100%.
- 5 years limited warranty.
- UL listed.



Specification

Input

Voltage Range	100-277VAC
Frequency Range	47-63Hz
Power Factor (Typ.) @ full load	0.99@120VAC 0.96@277VAC
THD(Typ.)@ full load	<20%
Efficiency(Typ.)@ full load	80%
AC Current(Max.)	1.5A@100VAC
Inrush Current (Typ.)	20A, 50%, 1.6ms
Leakage current	<0.50mA

Output

DC Voltage	12V
Rated Current	8.33A
Rated Power	100W
Voltage Tolerance	±0.5V
Voltage Regulation	±0.5%
Load Regulation	±1

Environment

Working Temperature	-40°F to 140°F
Working Humidity	20 to 90%RH, non-condensing
Storage Temp. Humidity	-40°F to 176°F, 10 to 95%RH
Temp. Coefficient	±0.03% / °F
Vibration	10 to 500Hz, 5G 10min./1 cycle,period for 60min. each along X,Y,Z axes

GL LED US LIGHTING reserves the right to modify this specification without prior notices.

Protection, Safety & EMC

Short Circuit	shut down o/p voltage, re-power on to recover after fault condition is removed
Over Loading	≤120% constant current limiting, auto-recovery
Over Temperature	212°F±50°F shut down o/p voltage, automatically recover after cooling.
Safety Standards	UL8750
Withstand Voltage	I/P-O/P:1.88KVAC
Isolation Resistance	I/P-O/P:100MΩ/500VDC/77°F/70%RH
EMC EMISSION	FCC Part 15 B

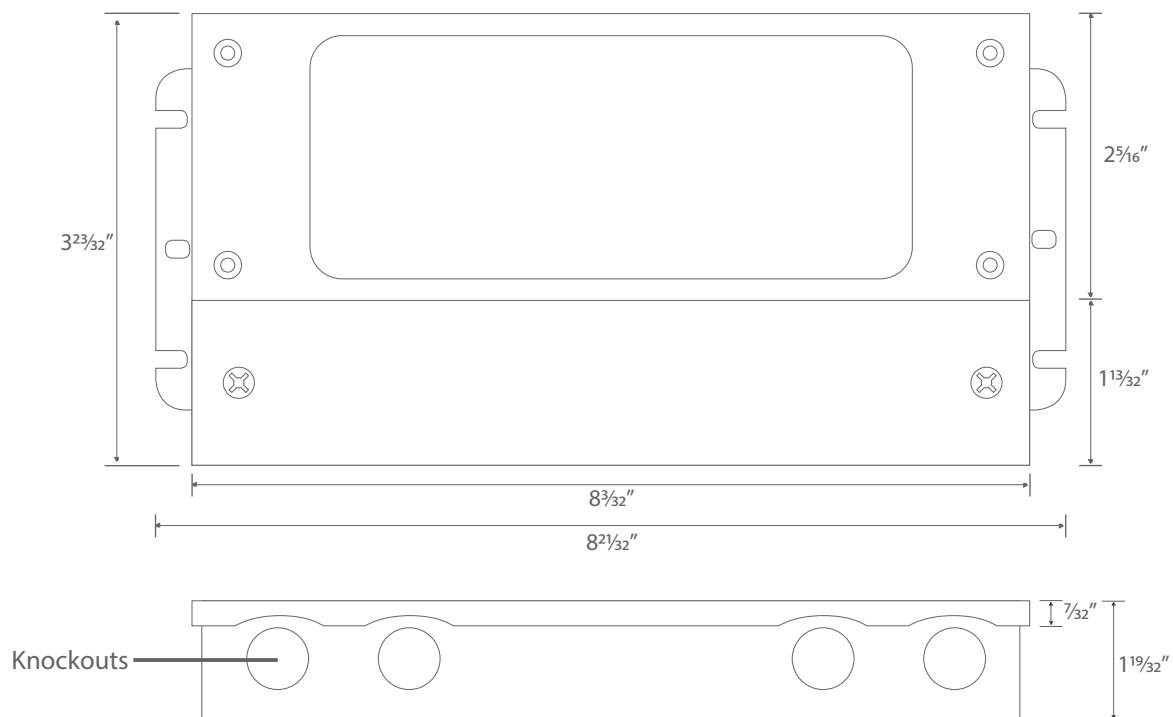
Others

Net Weight	2.87lb
Size (L x W x H)	8 ² / ₃₂ x 3 ²³ / ₃₂ x 1 ¹⁹ / ₃₂ in
Packing	10PCS/CTN

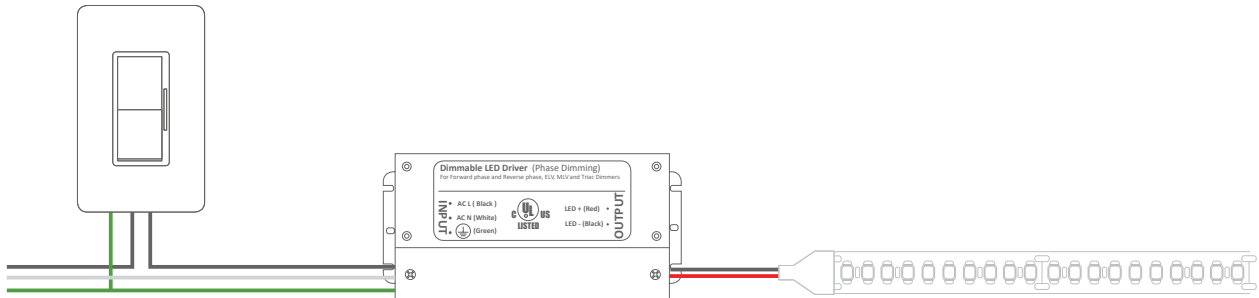
Order Information

Series	Power	Voltage
F	100W	12V

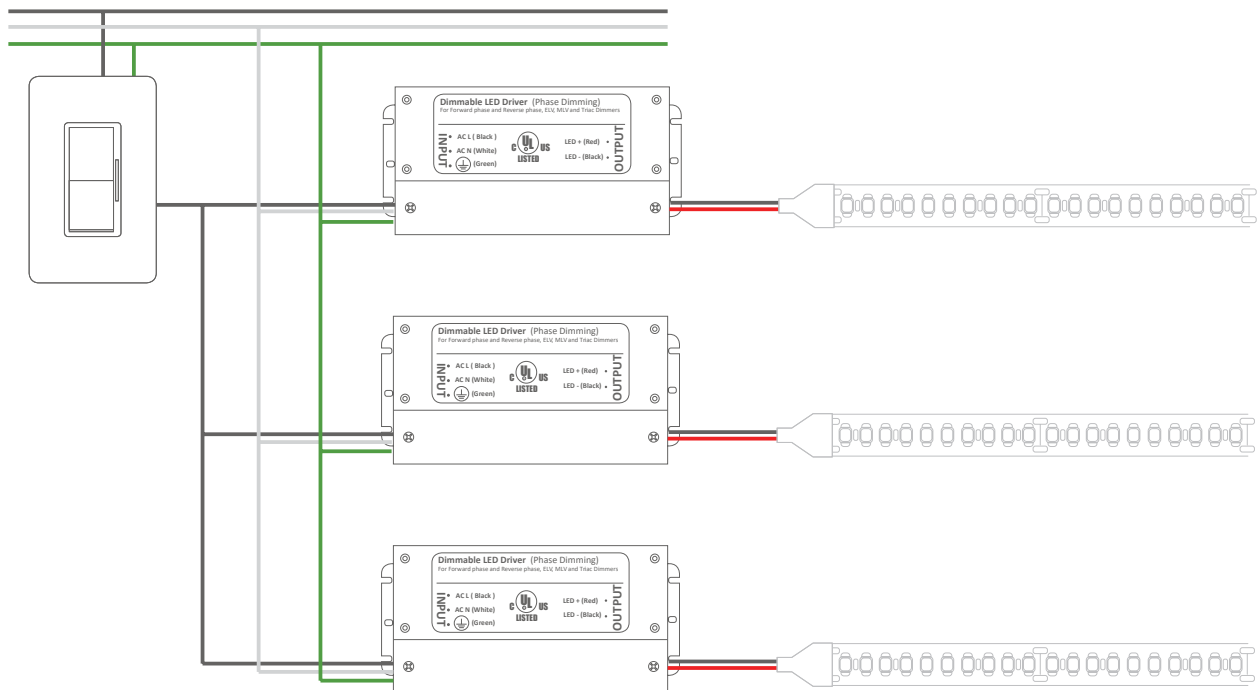
Dimensions



Wiring Diagram



F Series Wiring Diagram with Single Light Fixture



F Series Wiring Diagram with Multiple Light Fixtures

*Thess diagrams are for references only.