

Electronic Transformer for Triac/ ELV/ MLV Dimming ETF Series - **ETF24060TDA**



ETF-TDA series 60W LED dimmable LED driver provides a smooth, stable, efficient, and flicker-free dimming capability for LED light fixtures. It is rated for both wet and dry locations.

Features

- Output constant voltage.
- Universal AC input: 120VAC.
- Protection: short circuit/over loading/over temperature.
- Strong compatibility, flicker-free dimming.
Compatible with popular dimmers in the market, Lutron-CL, Diva series and so on.
- Full protection aluminum housing.
- Easy installation.
- Suitable for dry ,damp & wet location use.
- Dimming range: 0-100%.
- 5 years limited warranty.
- ETL listed.



Specification

Input

Voltage Range	120VAC
Frequency Range	47-63Hz
Power Factor (Typ.) @ full load	0.94@120VAC
Efficiency(Typ.)@ full load	88%@120VAC
AC Current(Max.)	0.93A
Leakage current	<0.50mA/120VAC

Output

DC Voltage	24V
Rated Current	2.5A
Rated Power	60W
Voltage Tolerance	±1.5V

Environment

Working Temperature	-40°F to 140°F
Working Humidity	20 to 95%RH, non-condensing
Storage Temp. Humidity	-40°F to 176°F, 10 to 95%RH
Vibration	10 to 500Hz, 5G 10min./1 cycle, period for 60min. each along X,Y,Z axes

Protection & Safety

Short Circuit	Hiccup mode, recover automatically after fault condition is removed
Over Loading	Hiccup mode, recovers automatically after fault condition is removed
Safety Standards	UL cUL listed , Class 2
Withstand Voltage	II/P-O/P:1.88KVAC

Others

Net Weight	0.46lb
Size (L x W x H)	11 ¹ / ₃₂ x 8 ¹⁵ / ₃₂ x 7 ¹ / ₁₆ in
Packing	50PCS/CTN

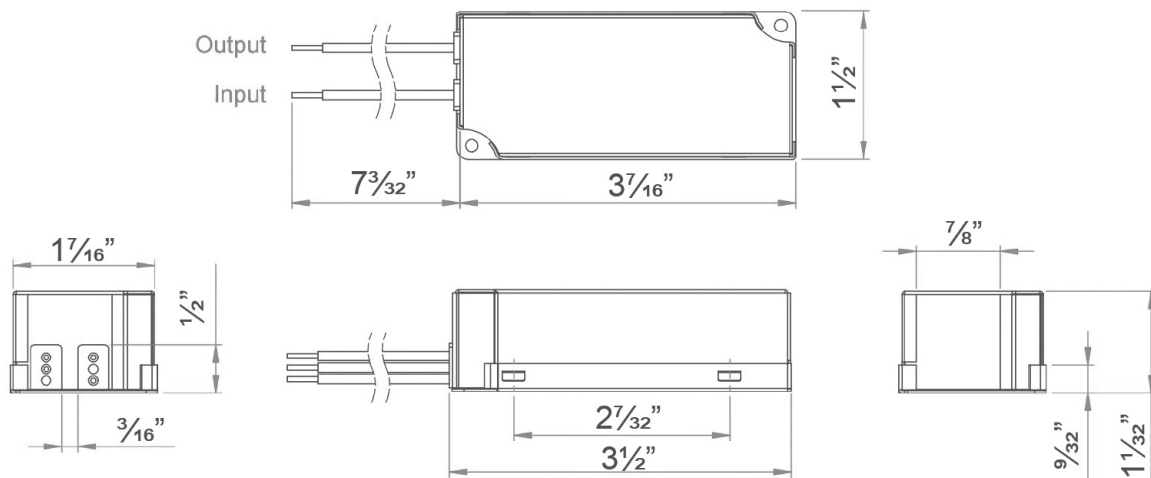
Order Information

Series	Voltage	Power	Mode
ETF	24 ^ 24-24V	060 ^ 060-60W	TDA

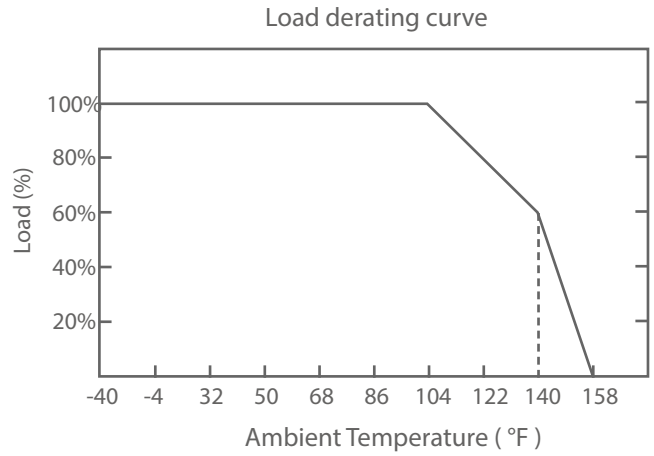
Notes

All parameters if NOT specially mentioned are measured at 120V AC input, rated load and 25°C / 77°F ambient temperature.
Warning: Do NOT reverse polarity high voltage input of the driver as it will destroy the product.

Dimensions



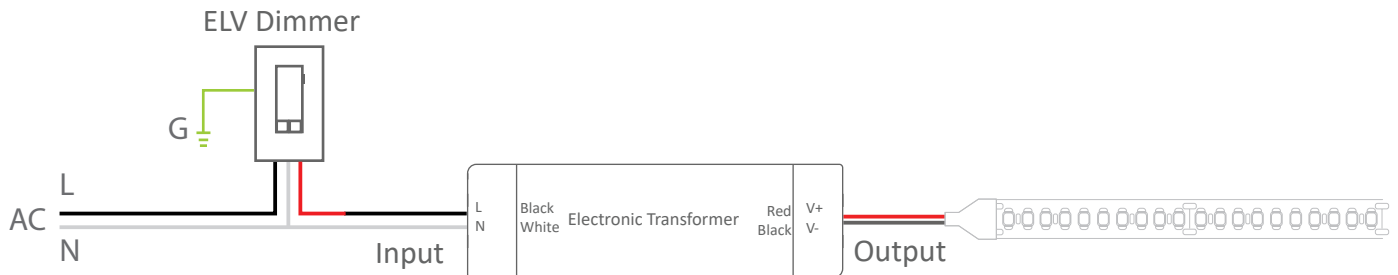
Load vs Ambient Temperature



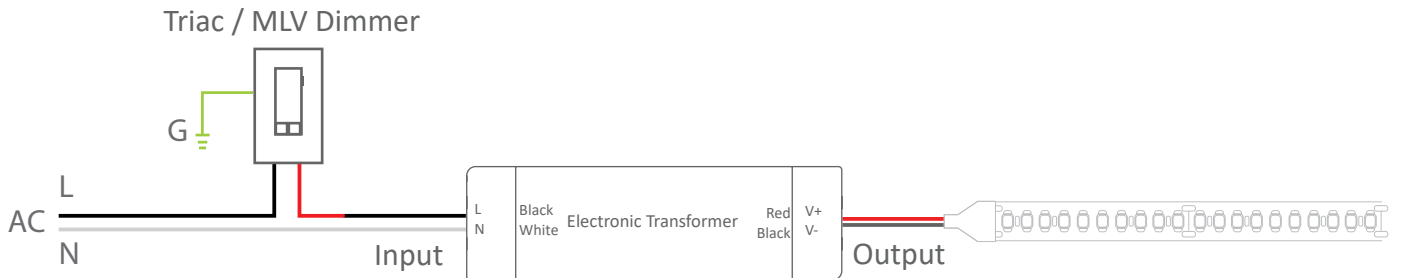
* To extend their life, please refer to the Derating Curve and derate according to the temperature.

Single Driver Connecting Diagram

ELV



Triac / MLV



The product is a basic electronic dimmer. The advantage is that it is small in size and low in price. It can be used in some very small spaces. However, the compatibility will be worse than the G series dimming power supply. Here are several tested dimmers. Devices to choose from.

Dimmer / Item	Dimmer Brand	Does It Flicker with Dimmer?	Dimming Effect	Dimming Compatibility
DVELV-300P	LUTRON	Flicker-free	The dimming smoothness is good, the dimming effect is good, and the dimming does not flicker.	Good
SELV-300P		Flicker-free	The light brightness is between 40% and 10%, and the smoothness of dimming is average. The lowest brightness does not turn off the light, and the dimming does not flicker.	Good
PD-10NXD		Flicker-free	The dimming is smooth and the dimming does not flicker.	Excellent
Radio Ra		Flicker-free	The dimming is smooth and the light does not flicker during the entire period.	Excellent
AWSMT-EAW	LEVITON	Flicker-free	The smoothness of dimming is average, and the dimming does not flicker.	Good