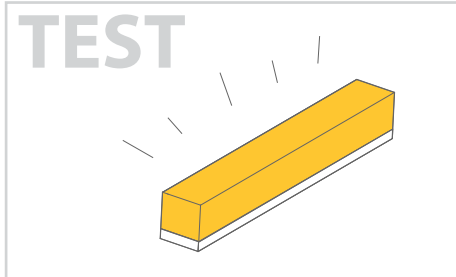


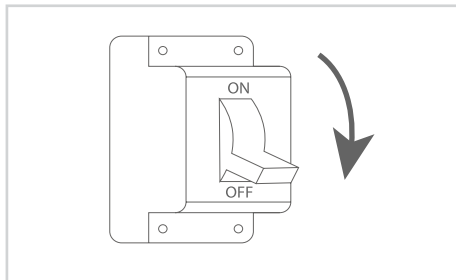
# LED 3D Neon Light Use Manual-Single Color

## Before Installation

1. When purchasing low voltage LED Neon light, Please check all parts of the product are in well functional condition.

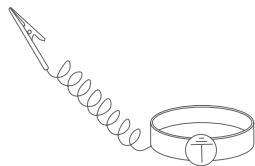


2. Before installation, always test the connection to ensure that the LED 3D neon lights are operating correctly. If there is any issue with the LED 3D neon lights before installation, please contact our customer services for returning and exchanging.



3. Always turn off the power at circuit breaker before any LED 3D neon light installation.

4. Always make sure to have antistatic wrist strap or antistatic gloves prepared for LED 3D neon light installation.



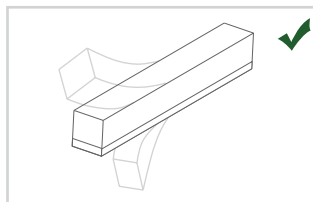
Antistatic Wrist Strap



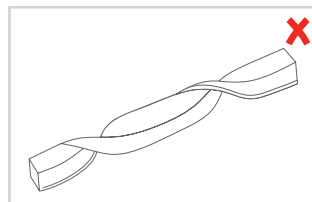
Antistatic Gloves

5. Installation and connection of LED 3D neon light should be performed by a qualified professional, and follow all the safety regulations.

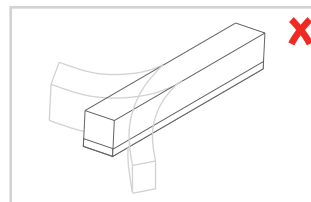
## Handle Products with Care



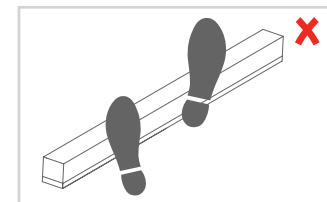
Bending 3D neon light from top.



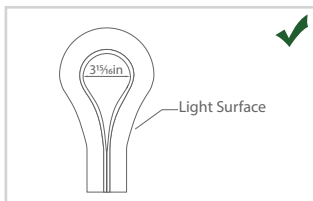
DO NOT twist the 3D neon light during installation.



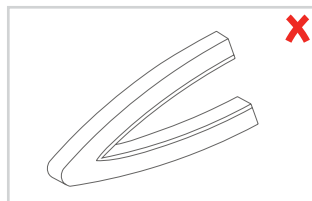
DO NOT bend the 3D neon light horizontally.



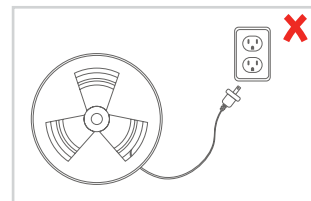
DO NOT step on or put any object on 3D neon light.



The bending radian must be wider than 3 1/4 in.



DO NOT fold the 3D neon light during installation.

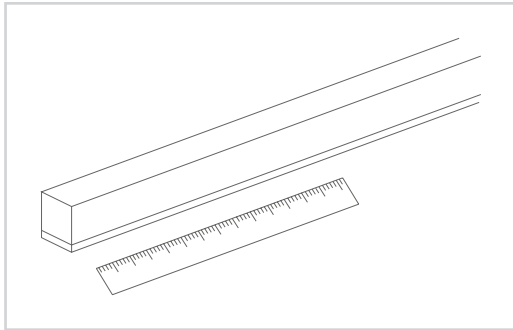


DO NOT plug in to power directly.

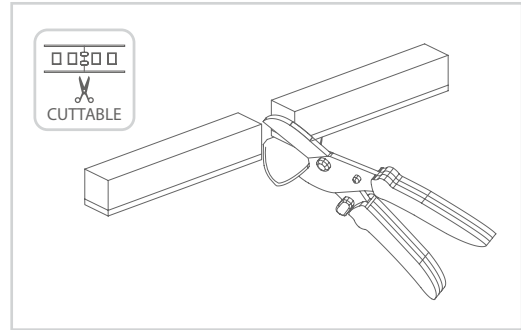


DO NOT power the light while its still coiled.

### Installation Instructions



1. Before cutting the 3D neon light, always measure and calculate the length and check the splitting lines on the light which shows you where to cut on the 3D neon light.

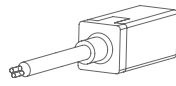


2. When cutting the 3D neon light, make sure to always cut into the splitting lines on the strip. The antistatic gloves is needed at this step.

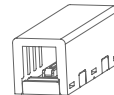
### Connecting Accessories



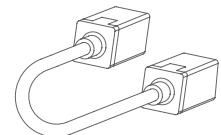
End Cap  
GL-3DN-EC-W



Power Lead  
GL-3DN-PC-S

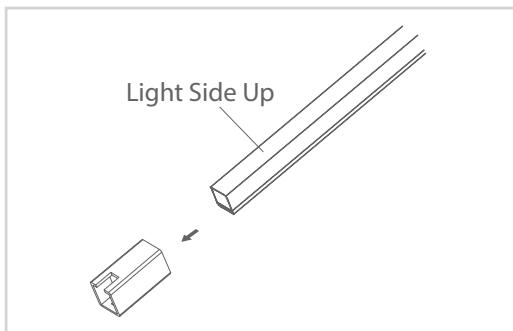


Splice Connector  
GL-3DN-EX-S

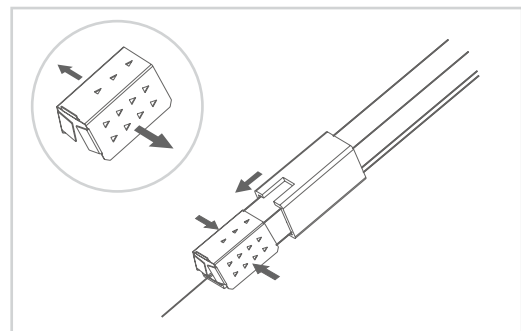


Jumper Connector  
GL-3DN-JP-S

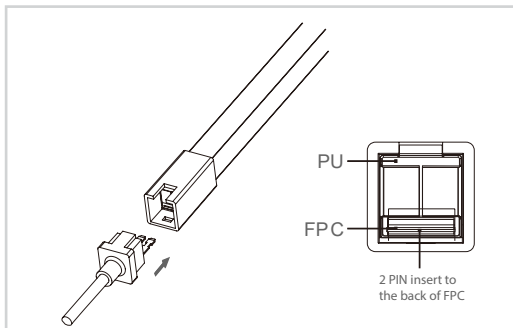
### Connection Instructions



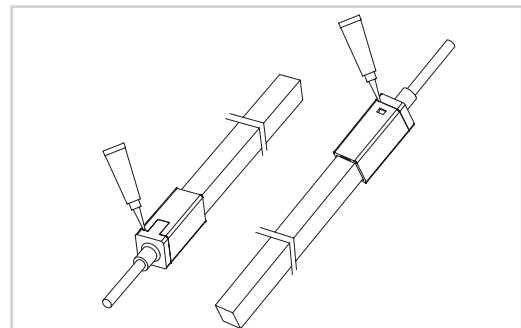
1. Take out the already cut 3D neon light. Then slide the 3D neon into the transparent plastic cap.



2. Unfold the metal clip by hands. Then Squeeze the clip onto 3D neon light. Push the transparent plastic clip forward until the metal clip is fully covered.



3. Insert the power lead. Push in until they snap. Remember to always check the polarity.

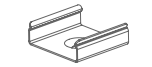


4. Use silicon glue to seal the cap. Make sure to apply glue twice. (5 minutes after the first layer dried)

### Connecting with Soldering

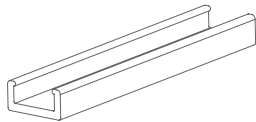
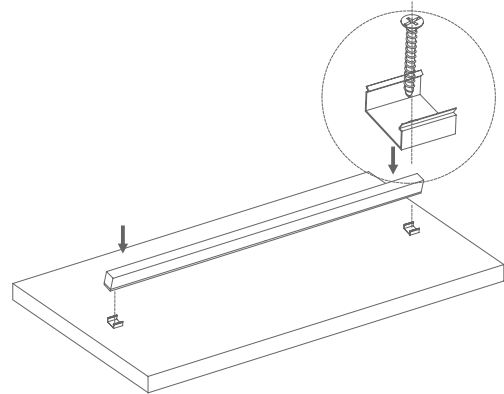
Handcraft power lead kit is available for customized soldering.

### Mounting Accessories Instruction



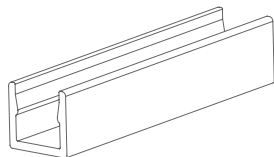
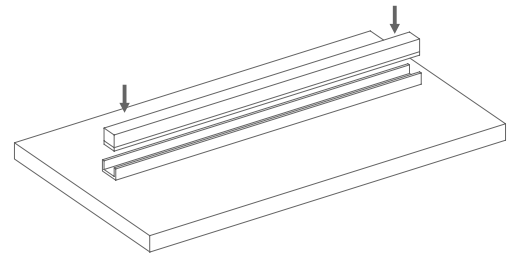
Mounting Clip  
**GL-3DN-MCL**

- Use screwdriver and screws to lock the mounting clip to chosen surface.
- Press down the 3D neon light until it snaps into the clips.



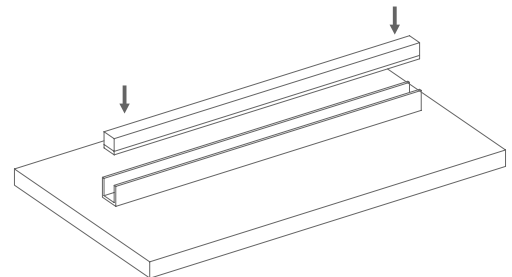
Mounting Channel  
**GL-3DN-SMCH**

- Install Mounting channel onto chosen surface.
- Take out the 3D neon light and press it into mounting channel until they snap.

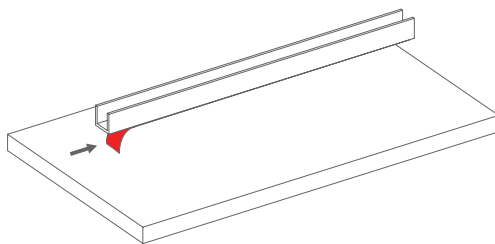


Deep Mounting Channel  
**GL-3DN-DMCH**

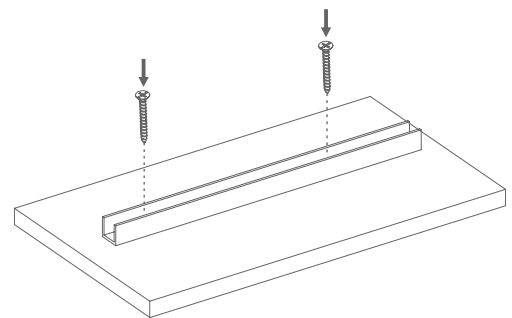
- Install Mounting channel onto chosen surface.
- Take out the 3D neon light and press it into mounting channel until they snap.



### Mounting Channel Installation Options



Installing with 3M VHB Double Side Tape (sold separately)



Installing with screws

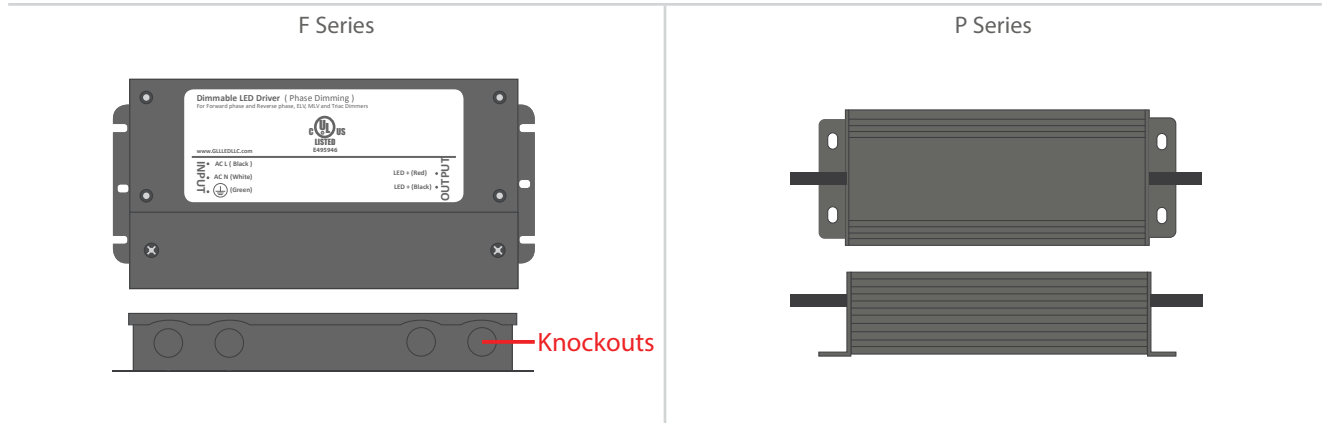
Note: For better results, please see the 3M VHB Double Side Tape Specification on our website.

## Compatible Transformers

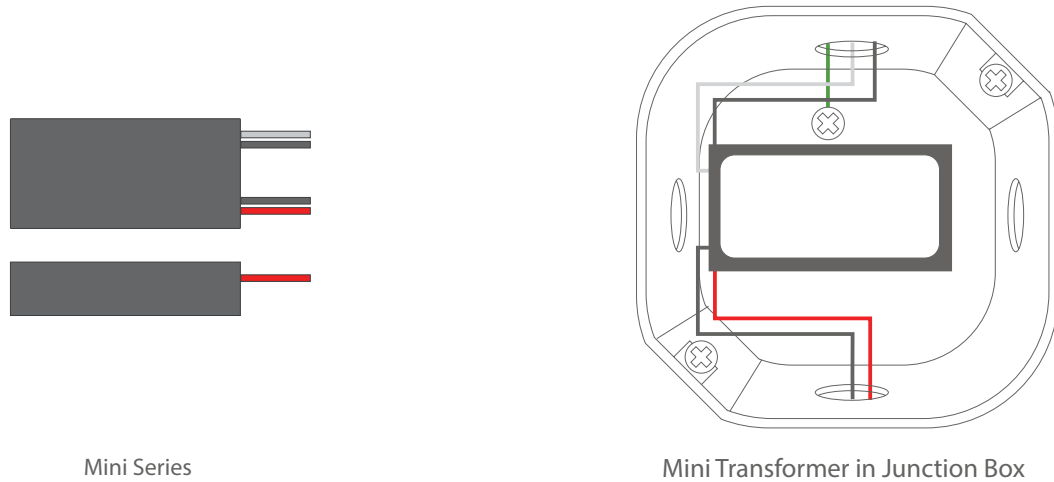
Transformers for single color LED 3D neon light can be compatible with LED Dimmable Transformer and LED Non-Dimmable Transformer. Make sure to also install a compatible dimming control or switch to pair with the dimmable transformer.

Suggestions of supporting power supply: indoor dry location +25%; outdoor environment +50% (For details please check our website : <https://gllledus.com/pages/videos>).

### LED Dimmable Transformer - Triac dimming



### LED Dimmable Transformer - ELV dimming



\*This diagram is for references only. Please see LED Mini Transformer Specification for a more accurate diagram.

### LED Non-Dimmable Transformer

