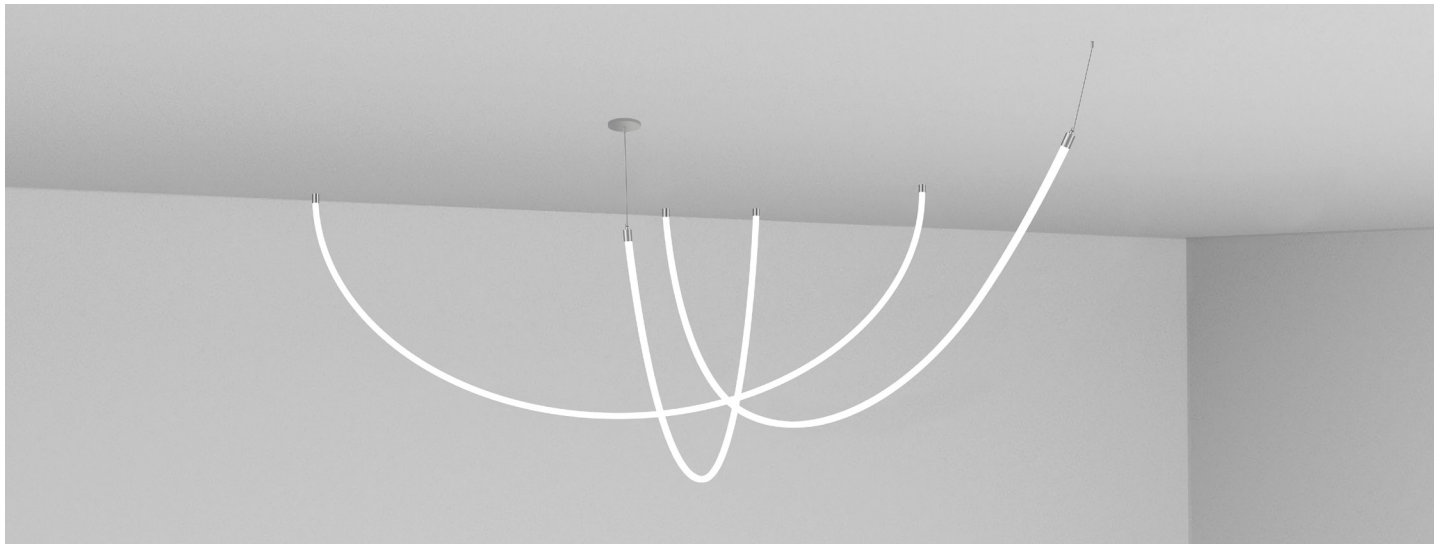


## 360° LED Neon Flex - Vertical Ceiling-Double-Single Color



The 360° glowing LED neon lights present simultaneous aesthetics and flexibility, enabling the creation of an unparalleled and astonishingly eye-catching appearance. Crafted with highly durable, skin-friendly silicone gel materials, the dimmable neon light series offers a wide range of light color options, including static white, tunable white, static colors, and RGB, delivered uniformly and seamlessly. Freely bending the neon lights unlocks the versatility of aesthetic shapes for superior lighting and decorations. The vertical ceiling - double model exhibits various color temperatures and different mounting options to best present aesthetics of the light. Compatible accessories are available to complete the effortless installation of the neon light on ceilings.

### Features

- 360° glowing of uniform and seamless light.
- Highly flexible LED neon lights; freely bending for artistic lighting decorations.
- Made with durable silicone materials; flame and saltwater resistant.
- Vertical ceiling-double maximum length 13.1'.
- IP54 rating is ideal for dry location applications.
- Dimmable with PWM, forward phase, triac, 0-10V, MLV, and ELV.
- 36,000-hour lifespan with 5 years limited warranty.
- UL listed.

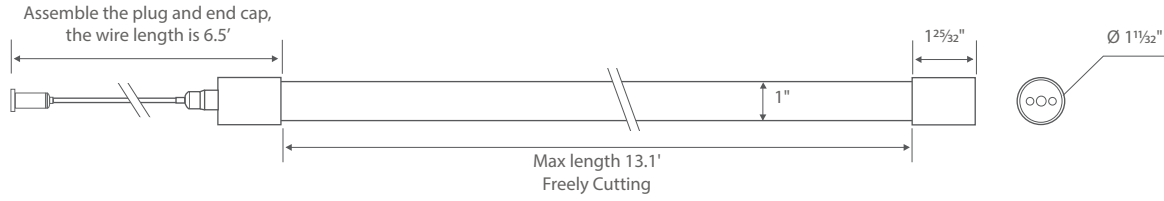


### Specification

<b>Input Voltage</b>	12VDC		
<b>Dimmable</b>	PWM, Forward phase, Triac, 0-10V, MLV, ELV		
<b>Color Temp. (CCT)</b>	2700K	3000K	4000K
<b>Brightness</b>	900lm	975lm	1050lm
<b>Light Efficacy</b>	60lm/w	65lm/w	70lm/w
<b>Power Consumption</b>	3W/ft		

<b>Maximum Length</b>	13.1'
<b>LED Chip</b>	2835
<b>Operating Temperature</b>	-13°F~131°F
<b>Lumen Maintenance</b>	36,000 hrs
<b>CRI</b>	90+
<b>IP Rating</b>	IP54 (Dry location)

### Dimension



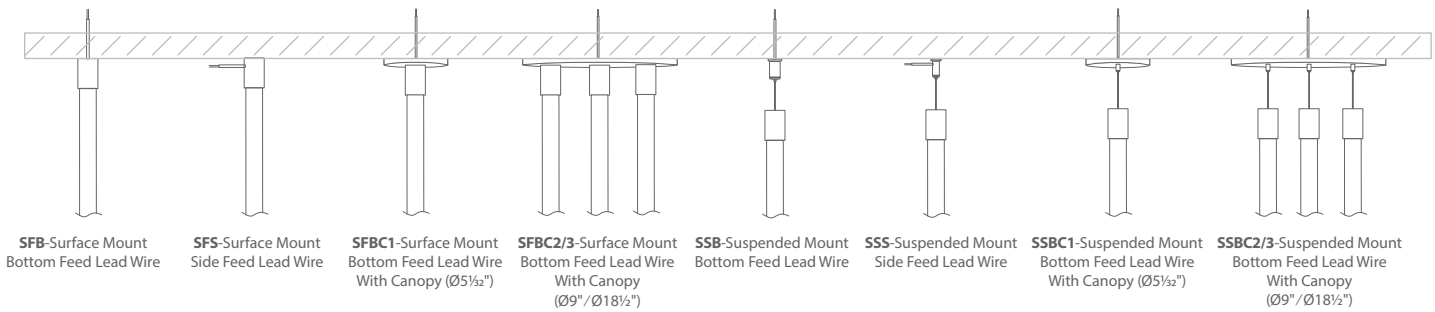
### Order Information

Series	Color Temperature	Voltage	IP Rating	Mounting (Power Feed Side)	Mounting (Non-power Feed Side)	Length (ft)	Length (inch)	Power Supplies
GL - 360N-VCD	27K-2700K 30K-3000K 40K-4000K	12V	IP54	<ul style="list-style-type: none"> <li>SFB-Surface Mount, Bottom Feed Lead Wire</li> <li>SFS-Surface Mount, Side Feed Lead Wire</li> <li>SFBC1-Surface Mount, Bottom Feed Lead Wire with Canopy (Ø5 1/2")</li> <li>SFBC2-Surface Mount, Bottom Feed Lead Wire with Canopy (Ø9")</li> <li>SFBC3-Surface Mount, Bottom Feed Lead Wire with Canopy (Ø18 1/2")</li> <li>SSB-Suspended Mount, Bottom Feed Lead Wire</li> <li>SSS-Suspended Mount, Side Feed Lead Wire</li> <li>SSBC1-Suspended Mount, Bottom Feed Lead Wire with Canopy (Ø5 1/2")</li> <li>SSBC2-Suspended Mount, Bottom Feed Lead Wire with Canopy (Ø9")</li> <li>SSBC3-Suspended Mount, Bottom Feed Lead Wire with Canopy (Ø18 1/2")</li> </ul>	<ul style="list-style-type: none"> <li>SFB-Surface Mount</li> <li>SFBC1-Surface Mount with Canopy (Ø5 1/2")</li> <li>SFBC2-Surface Mount with Canopy (Ø9")</li> <li>SFBC3-Surface Mount with Canopy (Ø18 1/2")</li> <li>SSB-Suspended Mount</li> <li>SSBC1-Suspended Mount with Canopy (Ø5 1/2")</li> <li>SSBC2-Suspended Mount with Canopy (Ø9")</li> <li>SSBC3-Suspended Mount with Canopy (Ø18 1/2")</li> </ul>	<ul style="list-style-type: none"> <li>1-1'</li> <li>2-2'</li> <li>3-3'</li> <li>4-4'</li> <li>5-5'</li> <li>6-6'</li> <li>7-7'</li> <li>8-8'</li> <li>9-9'</li> <li>10-10'</li> <li>11-11'</li> <li>12-12'</li> <li>13-13'</li> </ul>	<ul style="list-style-type: none"> <li>0-0"</li> <li>1-1"</li> <li>2-2"</li> <li>3-3"</li> <li>4-4"</li> <li>5-5"</li> <li>6-6"</li> <li>7-7"</li> <li>8-8"</li> <li>9-9"</li> <li>10-10"</li> <li>11-11"</li> </ul>	<ul style="list-style-type: none"> <li>ND-Non-Dimmable</li> <li>TD-Triac Dimming</li> <li>ED-ELV Dimming</li> <li>OD-0-10V Dimming</li> </ul>

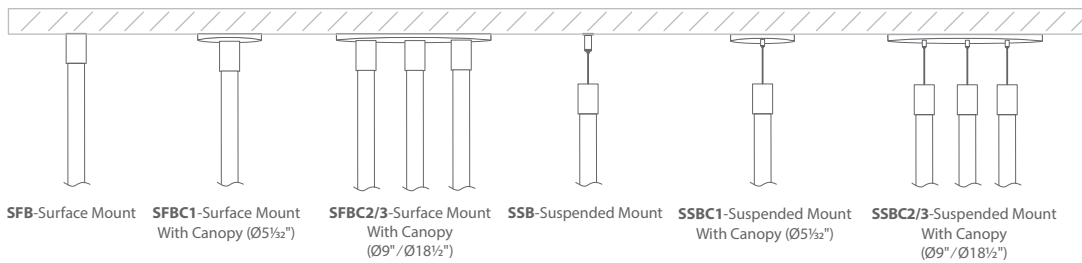
Max length 13.1'

### Installation Options

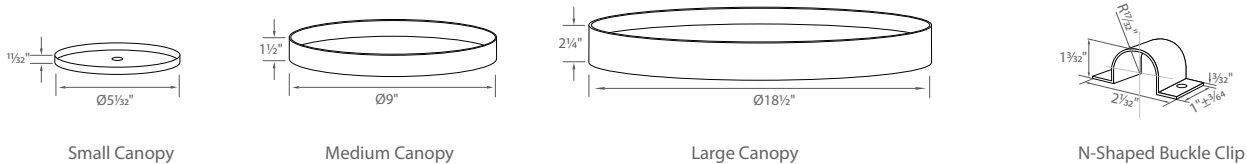
#### Mounting (Power Feed Side)



#### Mounting (Non-power Feed Side)

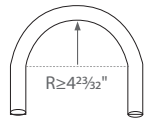


### Accessories

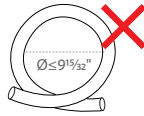


GL LED US LIGHTING reserves the right to modify this specification without prior notices.

## Bending Options & Precautions



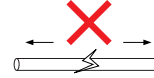
Min Radius



The bending diameter is not less than 9 1/32"



No distortion

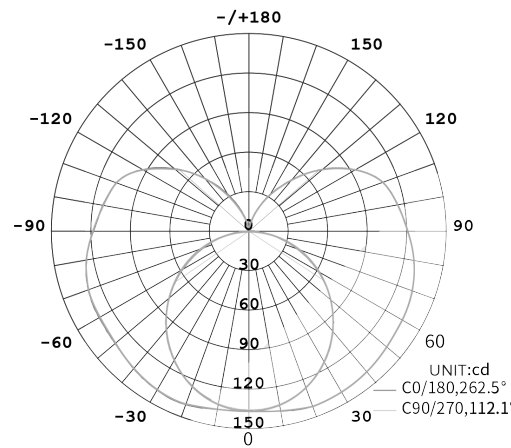


No Stretching



No Stepping

## Light Distribution



AVERAGE BEAM ANGLE(50%):187.3 DEG

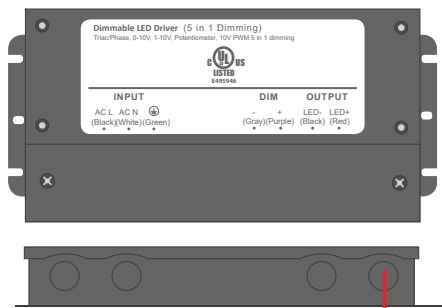
Light distribution

Note: The above data is based on 24V monochrome 4000K color temperature. If you need other models of IES files, please download the corresponding models from the IES database.

## Recommended Transformer (Sold Separately)

### LED Dimmable Transformer - 5 in 1 dimming

G Series

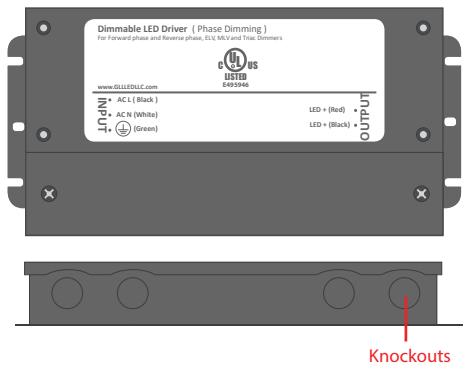


Knockouts

Model No.	Output Voltage	Wattage	Dimensions (L x W x H)	Certificates
G-100W-12V	12V	100W	8 21/32" x 3 3/4" x 1 23/32"	FCC, UL, Class 2

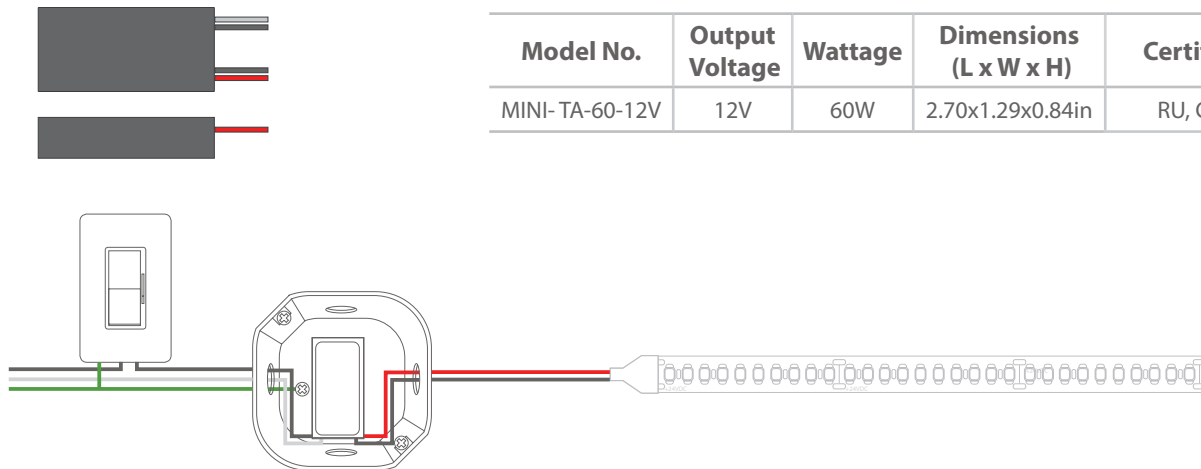
### LED Dimmable Transformer - Triac

F Series



Model No.	Output Voltage	Wattage	Dimensions (L x W x H)	Certificates
F-100W-12V	12V	100W	8.66x3.72x1.57in	FCC, ETL

### LED Mini Dimmable Transformer - ELV



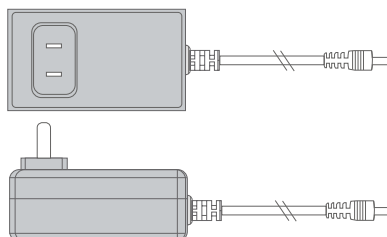
Mini Transformer Wiring Diagram (In Junction Box)

\*This diagram is for references only. Please see LED Mini Dimmable Transformer Specification for a more accurate diagram.

### LED Non-Dimmable Transformer



Model No.	Output Voltage	Wattage	Dimensions (L x W x H)	Certificates
APV-8W-12V	12V	8W	2.30x1.20x0.90in	CE, RU, Class 2
APV-35W-12V	12V	35W	3.30x2.20x1.20in	CE, RU, Class 2
FP-60W-12V	12V	60W	6.60x1.80x1.30in	CE, RU, Class 2
XLG-100W-12V	12V	100W	5.51x2.48x1.26in	CE, RU
XLG-150W-12V	12V	150W	7.09x2.48x1.40in	CE, RU



Model No.	Output Voltage	Wattage	Dimensions (L x W x H)	Certificates
DVE-12W-12V	12V	12W	3.70x1.70x1.80in	UL, FCC, CE
TPS-36W-12V	12V	36W	3.70x1.70x1.80in	UL, FCC, CE
TPZ-60W-12V	12V	60W	3.70x1.70x1.80in	UL, FCC, CE
TPZ-96W-12V	12V	96W	7.00x3.10x1.80in	UL, FCC, CE