

# Door Sensor Switch - DS01



The Door Sensor Switch is used in an environment where the light is needed to be turned on/off automatically when the door is opened/closed. It is widely used in wardrobes, closets, cabinets, or any other furnitures with doors. This product only can be used for low-voltage LED light circuits.

## Features

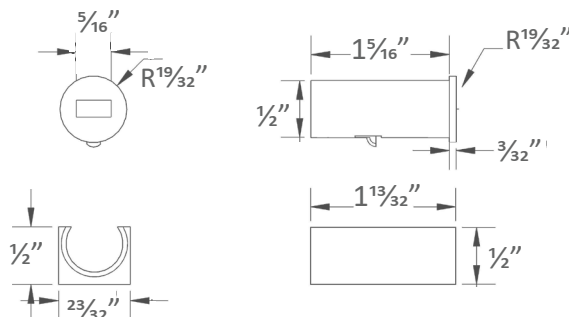
- Operating Voltage: DC 12-24V.
- Control method: Infrared photoelectric.
- Dry location, IP20
- Surface Mounted, Recessed Mounted
- 2 years warranty.



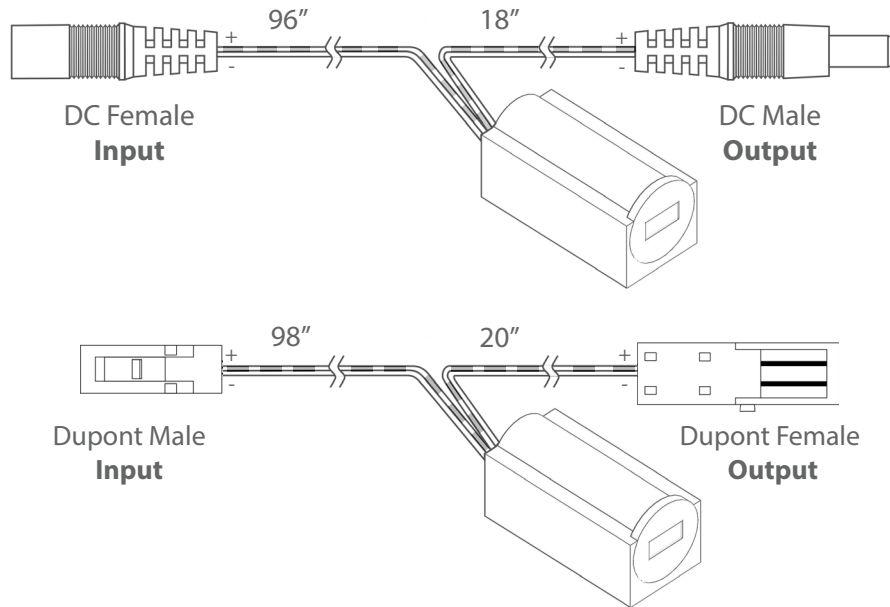
## Specification

Model No.	Input Voltage	Output Power	Sensor Range	Max Load	Technology	Installation Method	Connection Method	Finish	Body Color
DS01-B/W	12V DC	36W	0-2inches	1A	Infrared photoelectric	Surface, Recess	DC, Dupont	Plastic	Black or White
	24V DC	72W							

## Dimension



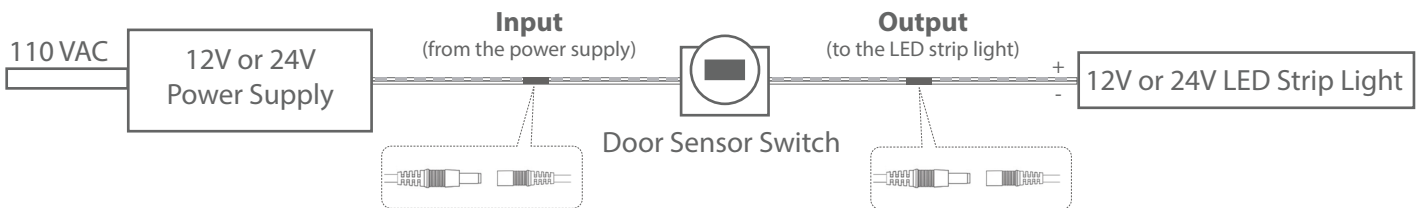
## Connection Method



### Notice

Pay attention to distinguish the input/output interface, if the wrong connection will cause the product to not work or be damaged.

## Wiring Diagram



## Installation

Connect the low voltage power to the input side (the long end) and connect the output side (the short end) to the LED light.

Test after the installation: Close the door, the light will turn off; Open the door, the light will turn on.

