

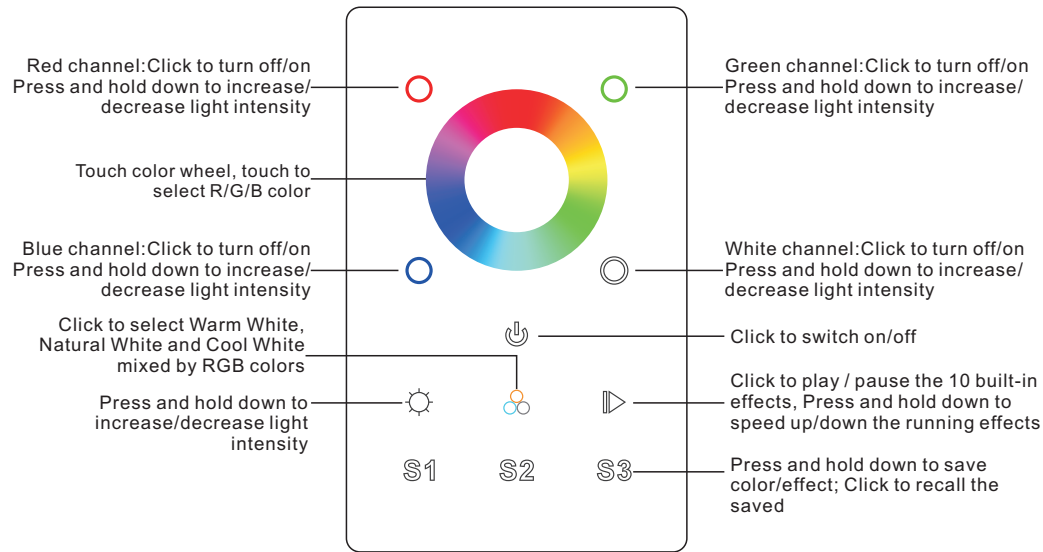
# Wall Mounted RGBW DMX512 Controller

09.2812U.04150

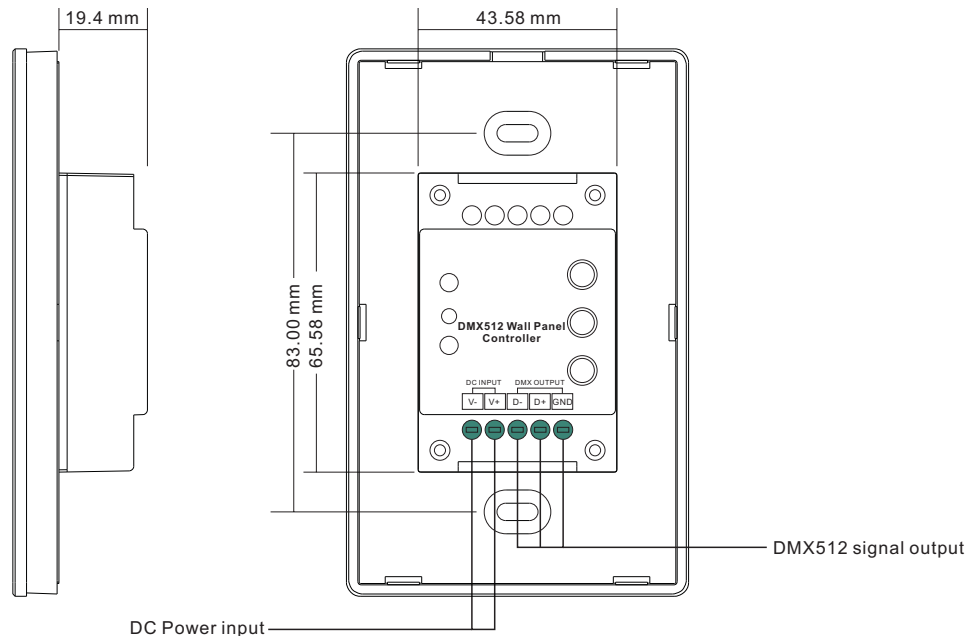


**Important:** Read All Instructions Prior to Installation

## Function introduction



Front side



Back side

## Product Data

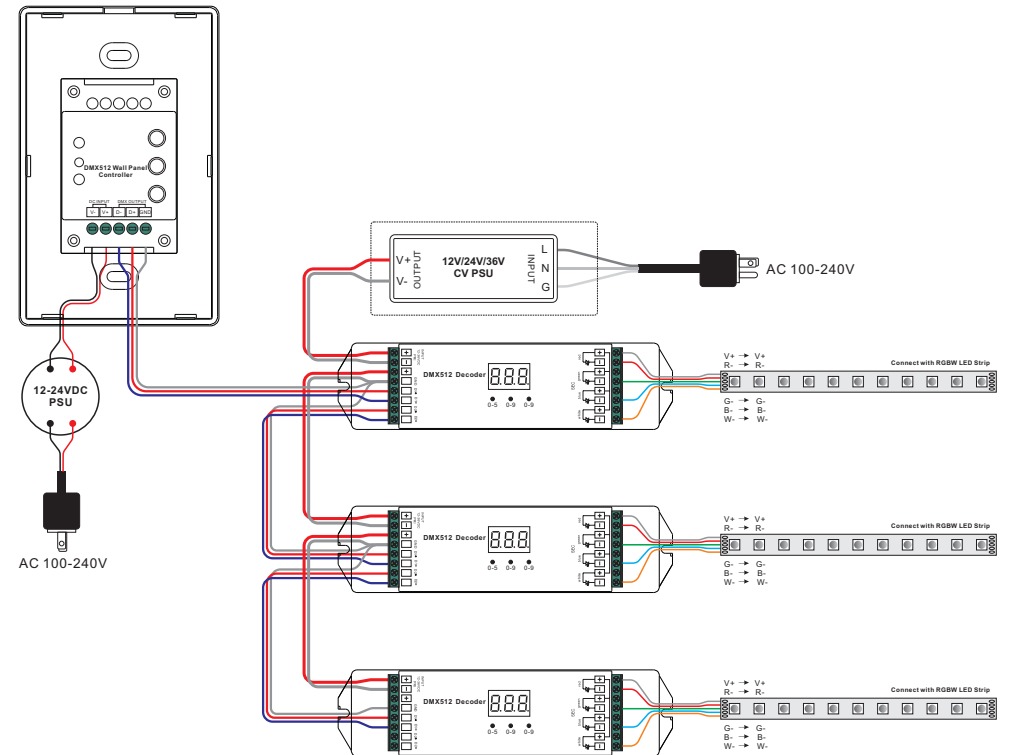
Output Signal	DMX512 signal
Power Supply	12-24VDC
Power consumption	200 mA
Operating temperature	0-40°C
Relative humidity	8% to 80%
Dimensions	75x120x29.1mm

- Touch sensitive
- Glass interface(white & black)
- Standard DMX512 Signal output
- Control RGBW color
- Control 1 zone/area
- Waterproof grade: IP20

## Safety & Warnings

- DO NOT install with power applied to device.
- DO NOT expose the device to moisture.

## Wiring diagram



## Set DMX Address

One DMX master controller can control many DMX Decoders, set all DMX decoders' address as 001.  
Note: one DMX Decoder has 4 channels, so it occupies 4 DMX addresses 001, 002, 003, 004.

# Installation

