

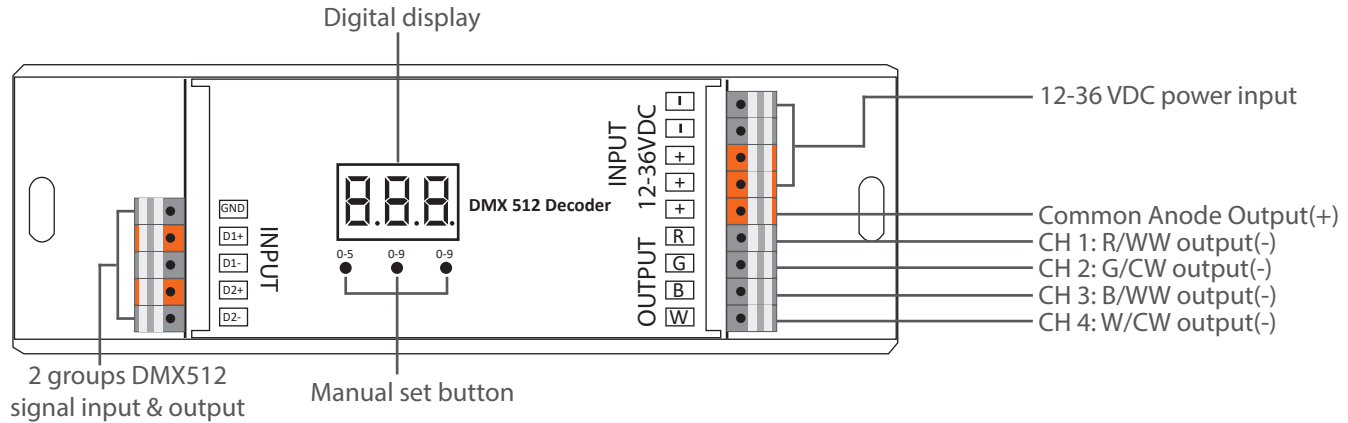
# DMX RGBW Decoder



Important: Read All Instructions Prior to Installation

## Function Introduction

This product is a 12-36VDC constant voltage DMX decoder with 4 channel output and 5 Amps per channel, which is compatible with a variety of RF remotes. Built-in changing LED patterns are available and can be saved to each zone. The brightness of each R, G, B, W channel can be adjustable separately to achieve multitudes of changing colors.



## Product Data

Single Color - One Channel

Input Voltage	Output Current	Output Power	Remarks	Size (LxWxH)
12VDC	5A	60W	Constant voltage	6.5"x2.1"x0.9"
24VDC	5A	120W		
36VDC	5A	180W		

Changing Color (CCT) - Two Channel

Input Voltage	Output Current	Output Power	Remarks	Size (LxWxH)
12VDC	2x5A	120W	Constant voltage	6.5"x2.1"x0.9"
24VDC	2x5A	240W		
36VDC	2x5A	360W		

Changing Color (RGB) - Three Channel

Input Voltage	Output Current	Output Power	Remarks	Size (LxWxH)
12VDC	3x5A	180W	Constant voltage	6.5"x2.1"x0.9"
24VDC	3x5A	360W		
36VDC	3x5A	540W		

Changing Color (RGBW) - Four Channel

Input Voltage	Output Current	Output Power	Remarks	Size (LxWxH)
12VDC	4x5A	240W	Constant voltage	6.5"x2.1"x0.9"
24VDC	4x5A	480W		
36VDC	4x5A	720W		

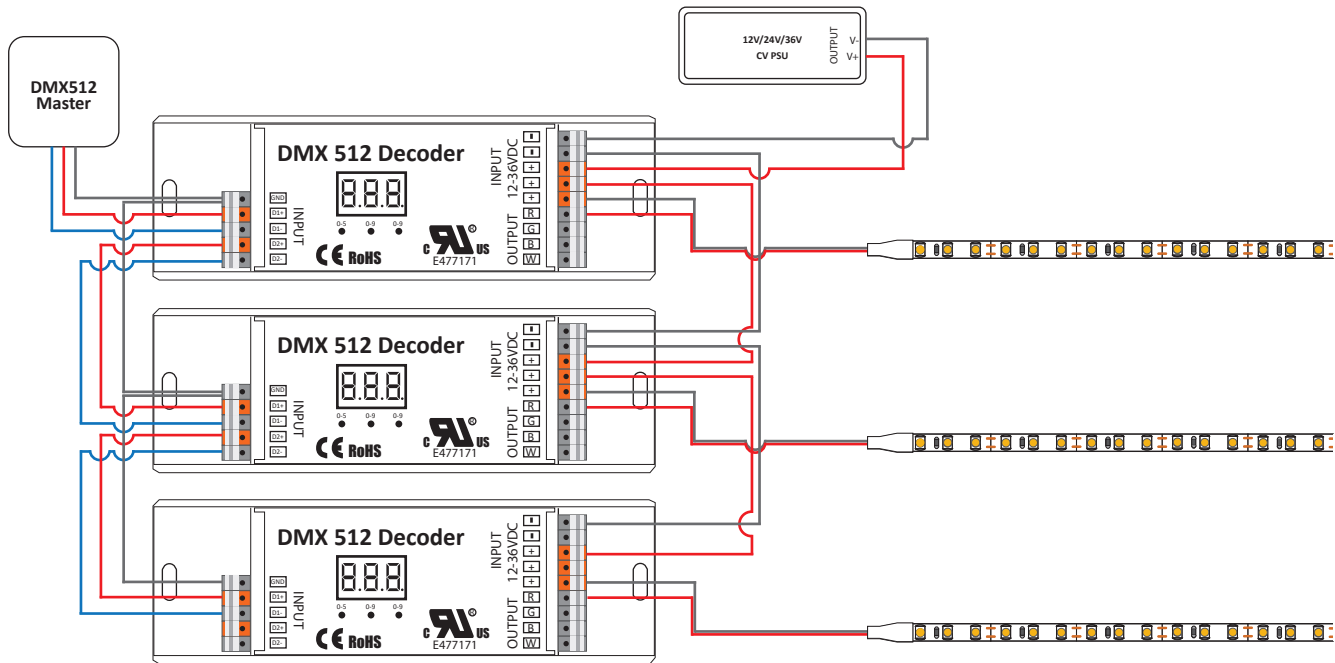
GL LED US LIGHTING reserves the right to modify this specification without prior notices.

## Safety & Warnings

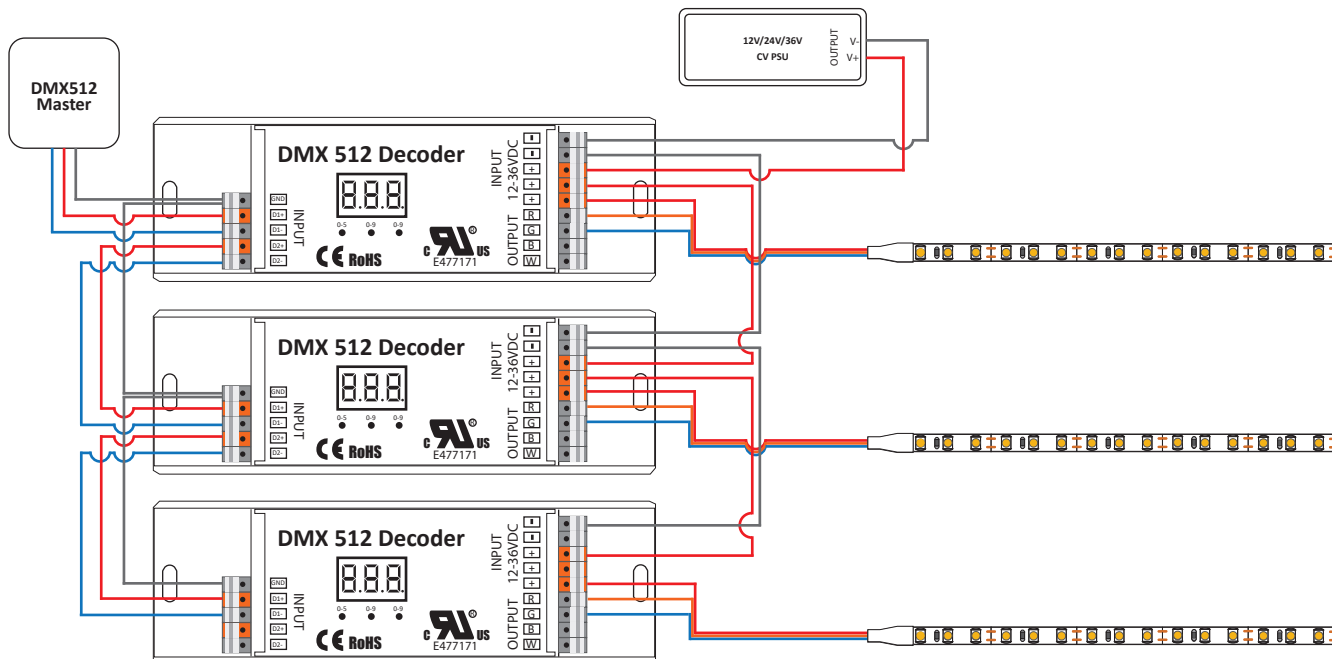
DO NOT install with power applied to device.  
DO NOT expose the device to moisture.

## Connection wiring diagram

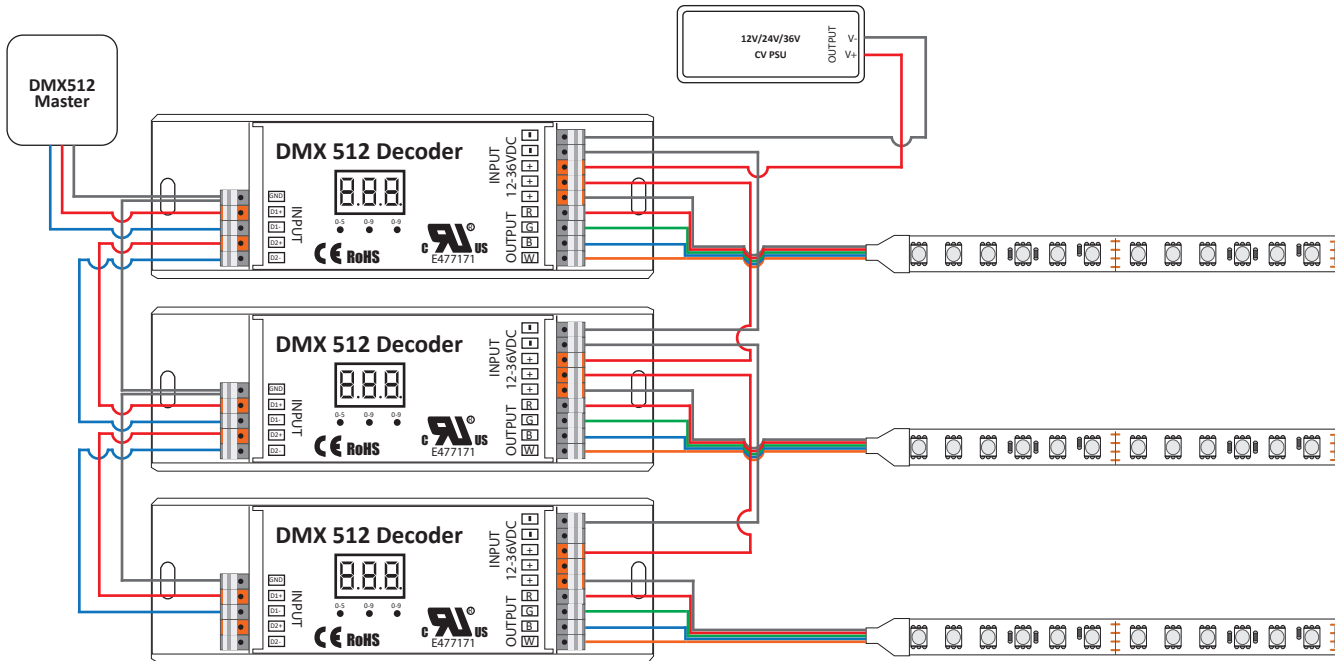
Single Color



CCT Color

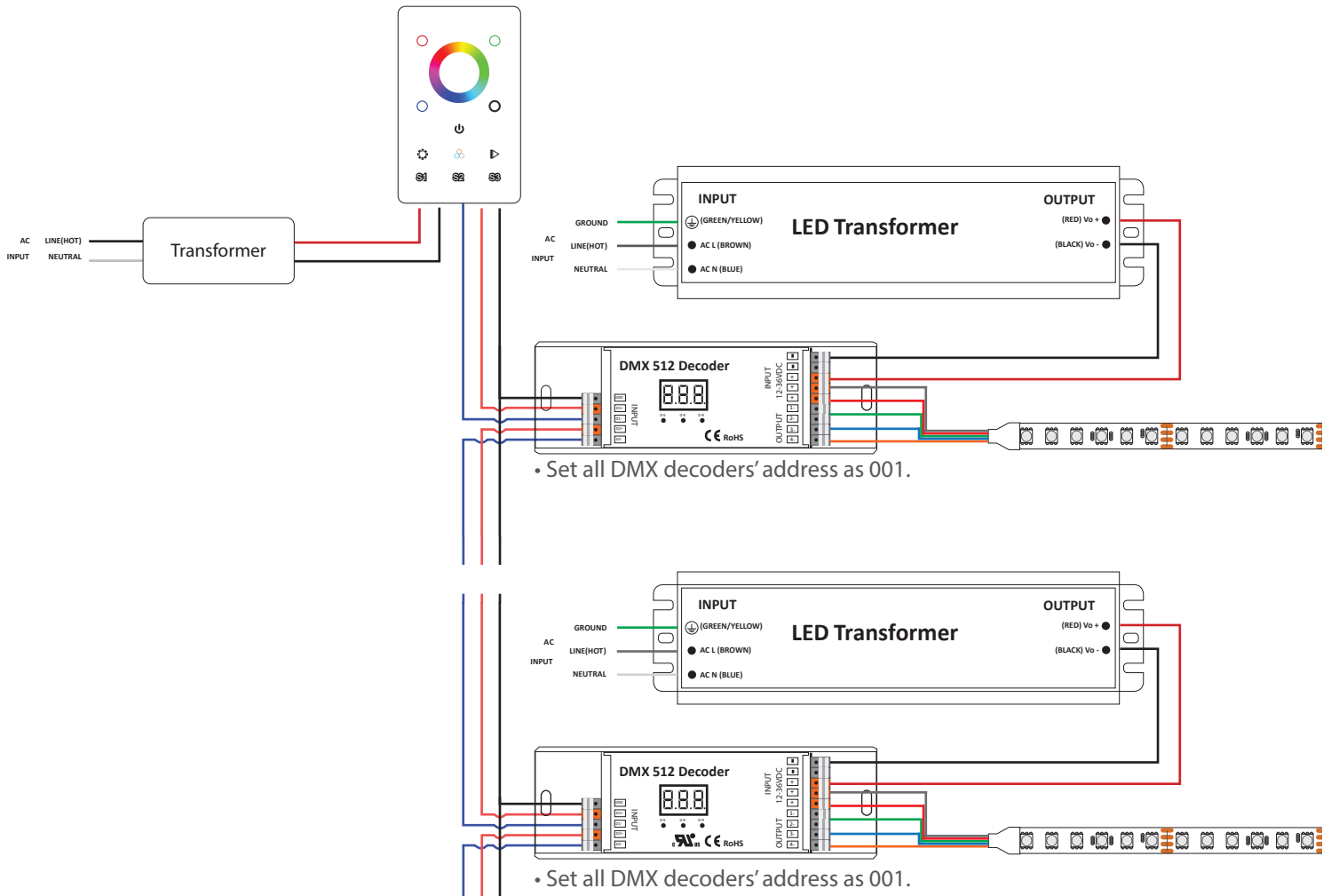


### RGB Changing Color

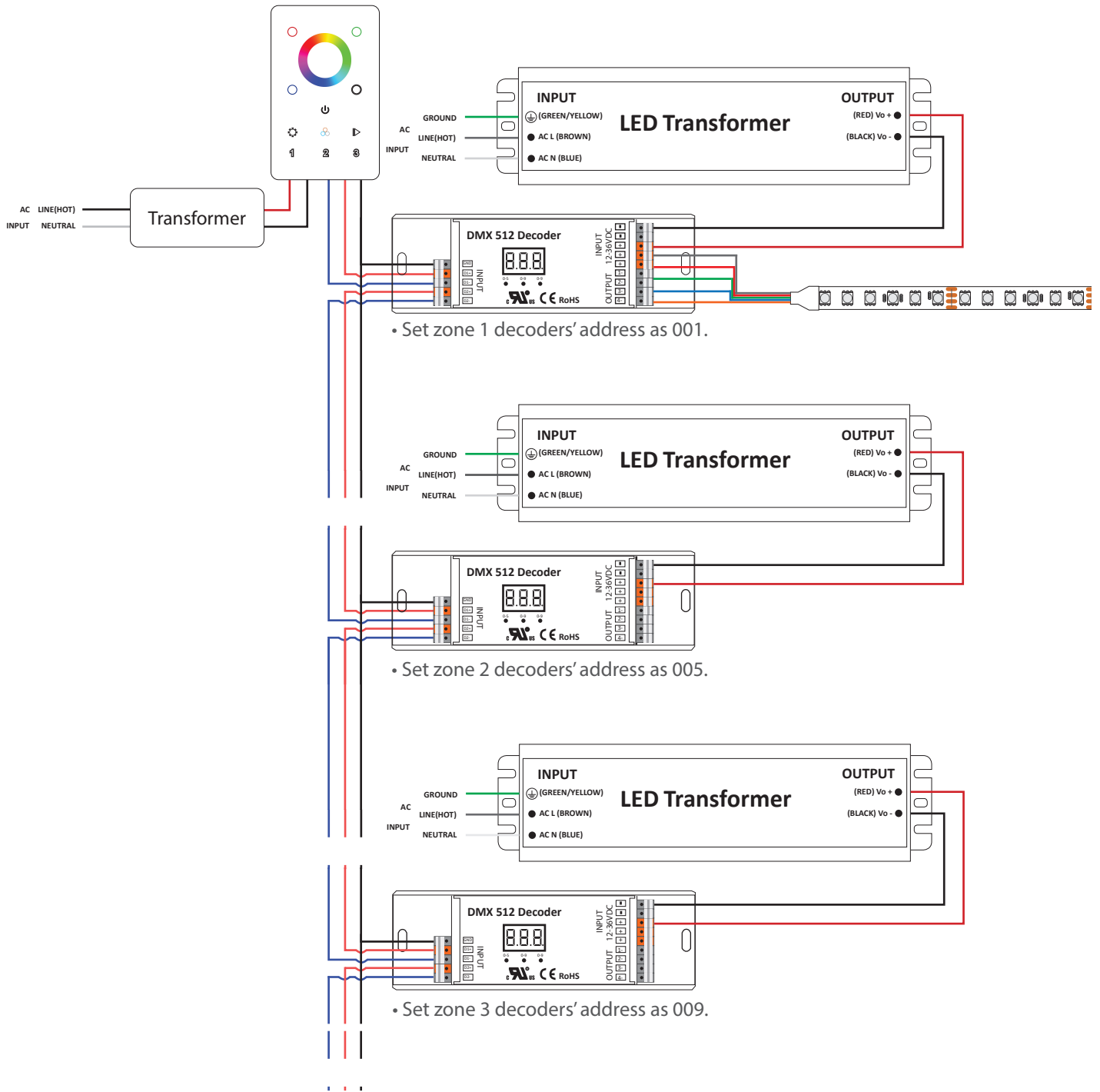


Wiring diagram - RGB Color Changing DMX 1Z Controller with Decoder

- One DMX master controller can control many DMX Decoders, set all DMX decoders' address as 001.



### Wiring diagram - RGB Color Changing DMX 3Z Controller with Decoder



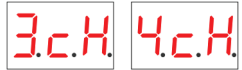
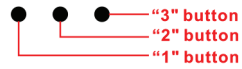
• Set zone 1 decoders' address as 001.

• Set zone 2 decoders' address as 005.

• Set zone 3 decoders' address as 009.

- This 3Z DMX master controller controls 3 zones of DMX decoders by setting DMX decoders' address as follows:  
 Set zone 1 decoders' address as 001.  
 Set zone 2 decoders' address as 005.  
 Set zone 3 decoders' address as 009.

### Operation



Through buttons to set desired DMX512 address, click button 1 to set "hundreds" position, 2 to set "tens" position, 3 to set "unit" position.

#### Choose Channel

Press and hold down 2nd and 3rd buttons simultaneously for 2 seconds, cH digital display flashes, then click 1st button to choose 1/2/3/4, 3 means total 3 channels, 4 means total 4 channels. Press and hold down any button for >2 seconds to confirm the 1,2,3 or 4 channels. The factory preset default is 4 channels outputs.

#### NOTE:

For example, when we set address to 001

When select 1cH, all four channels will be the same address 001.

When select 2cH, channel one and channel three will be the same address 001, channel two and channel four will be 002.

When select 3cH, channel 1,2,3 will be address 001,002,005, and channel 4 address is also 001

When select 4ch, channel 1, 2, 3,4 will be address 001, 002,003,004

#### Set DMX address

Press and hold down 1st button for 2 seconds, digital display flashes to set the required DMX address, then press and hold down any button for >2 seconds to confirm



#### Choose PM frequency

Press and hold down 1st and 3rd buttons simultaneously for 2 seconds, digital display flashes to show P-c.

P means PWM frequency, click 1st button to show. "1" means 1500Hz, "2" means 200Hz. c means dimming options, click 3rd button to show, "1" means logarithmic dimming, "2" means linear dimming.

Press and hold down any button for >2 seconds to confirm the setting

The factory preset default is PM frequency 1500Hz with linear dimming. **1-2**

### Product Dimension

