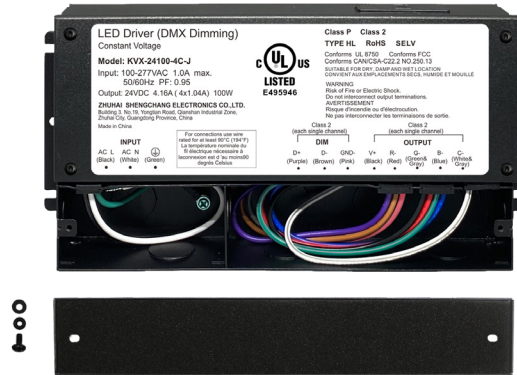


DMX512 Dimmable LED Driver - X-100-24V



DMX LED driver with integrated DMX controller for integrating color changing strip light into DMX systems with minimal components for easy wiring, for commercial and residential applications.

Features

- Universal AC input: 100-277VAC
- Dimming range: 0-100%
- DMX 512 Signal Control, 4 CH independent outputs: RGBW.
- Flicker-free, $f \geq 4K$ Hz,
- Compact housing IP66 waterproof design.
- With EasyNFC app address setting function.
- Output constant Voltage with slightly adjustable, to solve the problem of line loss.
- UL Listed, class 2, class P, 5 Year Warranty.



Specification

Input

Voltage Range	100-277VAC
Frequency Range	47-63Hz
Power Factor (Typ.) @ full load	PF \geq 0.98@230VAC
THD(Typ.)@ full load	\leq 10% (120VAC); \leq 15% (230VAC)
Efficiency(Typ.)@ full load	89%@230VAC
AC Current(Max.)	1.3A
Inrush Current (Typ.)	8.4A 50% 940us@120V; 40.4A 50% 370us @230VAC; 21.6A 50% 960us@277VAC
Leakage current	<0.50mA

Output

DC Voltage	24V
Slightly Adjustable DC Voltage	24-26V
Rated Current	4x1.04A
Rated Power	100W(4x25W)
Voltage Tolerance	\pm 0.5V
Voltage Regulation	\pm 2%
Load Regulation	\pm 1%

Environment

Working Temperature	-40~+140°F (see below derating curve)
Working Humidity	20~95%RH, non-condensing
Storage Temp. Humidity	-40~+176°F, 10~95%RH
Temp. Coefficient	\pm 0.03%/°F(32°F~122°F)
Vibration	10 ~ 500Hz, 5G 10min. /1 cycle, period for 60min. each along X,Y,Z axes

Protection, Safety& EMC

Short Circuit	Hiccup mode ,recovers automatically after fault condition is removed
Over Loading	≤120% Hiccup mode ,recovers automatically after fault condition is removed
Over Temperature	212°F±50°F shut down o/p voltage, automatically recover after cooling.
Safety Standards	EN61347-1 EN61347-2-13 (EU) & UL8750 (US)
Withstand Voltage	I/P-O/P: 3.75KVAC I/P-FG: 1.88KVAC O/P-FG: 0.5KVAC (EU) & I/P-O/P: 1.5KVAC(US)
Isolation Resistance	I/P-O/P: 100MΩ/500VDC/77°F/70%RH
EMC EMISSION	EN55015 EN61000-3-2, 3-3 (EU) & FCC Part 15 B (US) (≥60% loading)
EMC Lmmunity	EN61000-4-2, 3, 4, 5, 6, 11, EN61547

Others

Net Weight	2.65 lb
Dimension	9 ¹ / ₃₂ x 4 ³ / ₃₂ x 1 ⁵ / ₈ in
Packing	20PCS/CTN

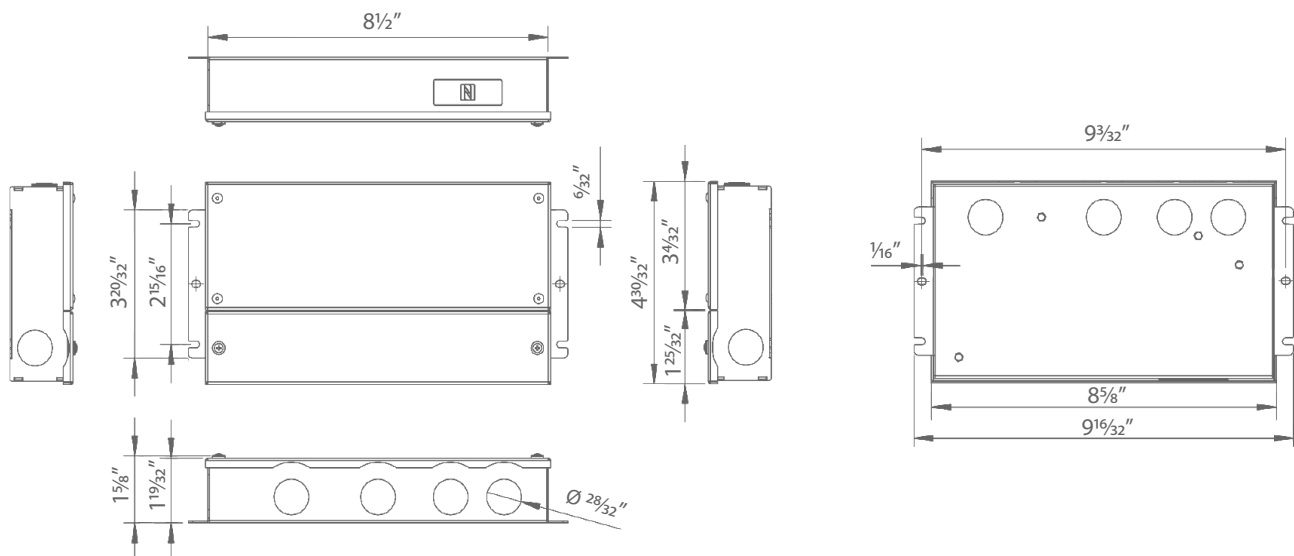
Order Information

Series	Power	Voltage
X	100W	24V

Notes

All parameters if NOT specially mentioned are measured at 120V AC input, rated load and 25°C / 77°F ambient temperature.
Warning: Do NOT reverse polarity high voltage input of the driver as it will destroy the product.

Dimensions



DMX512 Address Setting Operation

- The default address of the driver is 001.
- Address settings device:



EasyNFC app

* Please check out our **“EasyNFC APP DMX CV dim instructions”** VIDEO

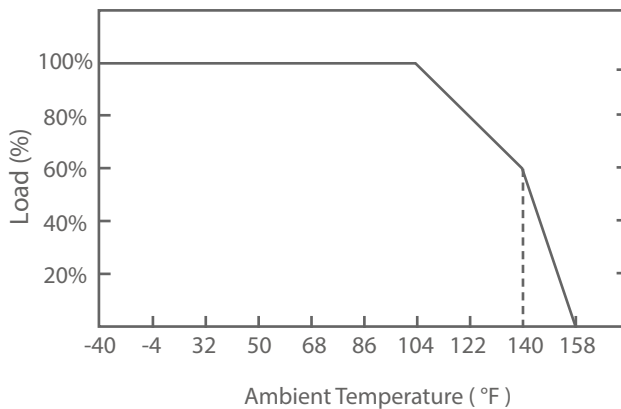
Adjust Output Voltage Operation

- Adjust output voltage slightly for DMX512 driver

- 1) The driver output voltage can be read and written by a mobile with EasyNFC APP or NFC handheld device (NFC read & write device: NFC-RW) by close to the NFC signal area of the DMX512 driver.
- 2) Voltage range: level 1~10, each level is 0.2V. The default output voltage level is 1.

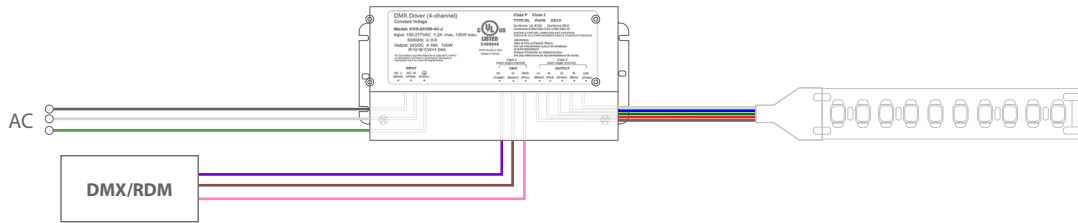
Rated Vol.	Level 1	Level 2	Level 3	Level 4	Level 5	Level 6	Level 7	Level 8	Level 9	Level 10
24V	24.00V	24.22V	24.44V	24.66V	24.88V	25.10V	25.32V	25.54V	25.66V	26.00V

Derating Curve

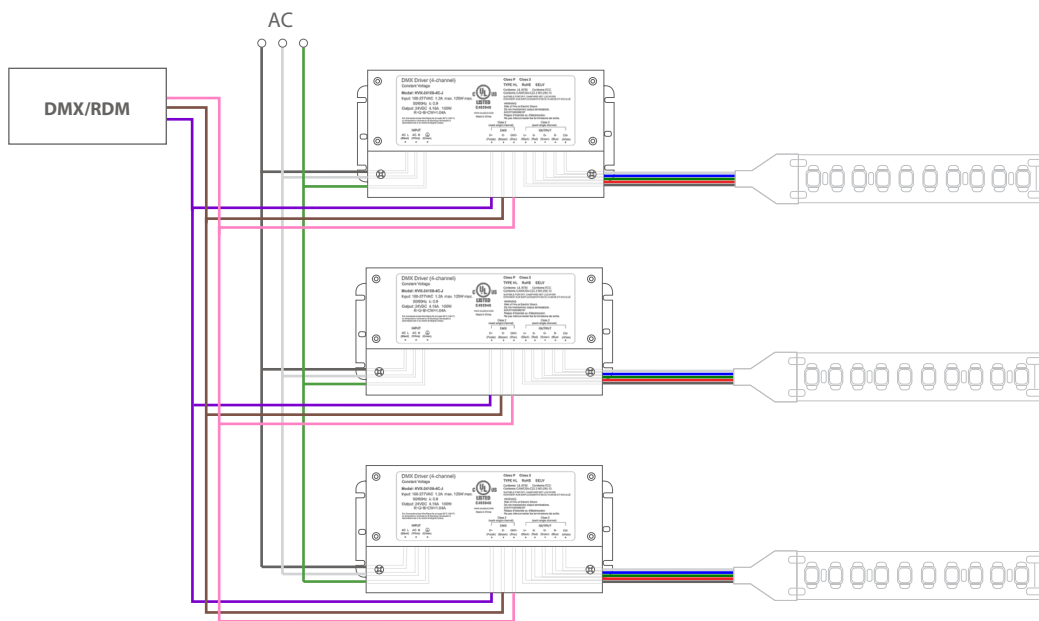


*The Derating curve is a graph that shows how the maximum current rating of a component decreases as the ambient temperature increases. Strong recommendation used in environments less than 104°F.

Wiring Diagram



DMX512 Wiring Diagram with Single Light Fixture



DMX512 Wiring Diagram with Multiple Light Fixtures

* Note: Dimmer switch wiring for reference use only. Please follow wiring instructions provided with the dimmer switch.

* For good DMX signal, limit your cable up to 130ft and units up to 32pcs.

Notice

1. This driver should be installed by a qualified professional;
2. Before commencing any installation or maintenance work, disconnect the driver from AC power entirely;
3. Maintain 4-6 inches clearance around the driver and make sure that it is exposed to open airflow. Do not mount the driver near a heat source. High temperature will reduce the load capacity of the driver and shorten the life;
4. When using the driver at a wet location, make sure the connection between the driver and the lighting fixture is watertight;
5. If the driver does not work properly, do not disassemble it for maintenance without permission.