

BLK Single Color Amplifier

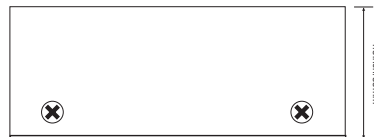
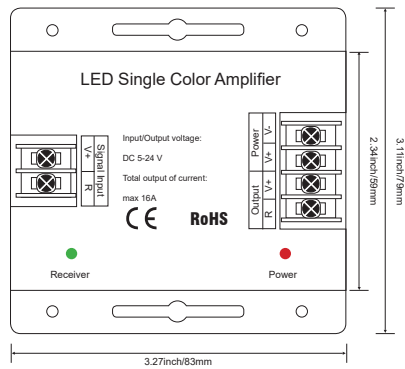


Important: Read All Instructions Prior to Installation

Function introduction

Operation

LED amplifier is suitable for all of our single color controllers to expand power output, it supports PWM control and can connect one to three times more LEDs by adding one more amplifier, and unlimited amplifier can be connected together theoretically.



Product Data

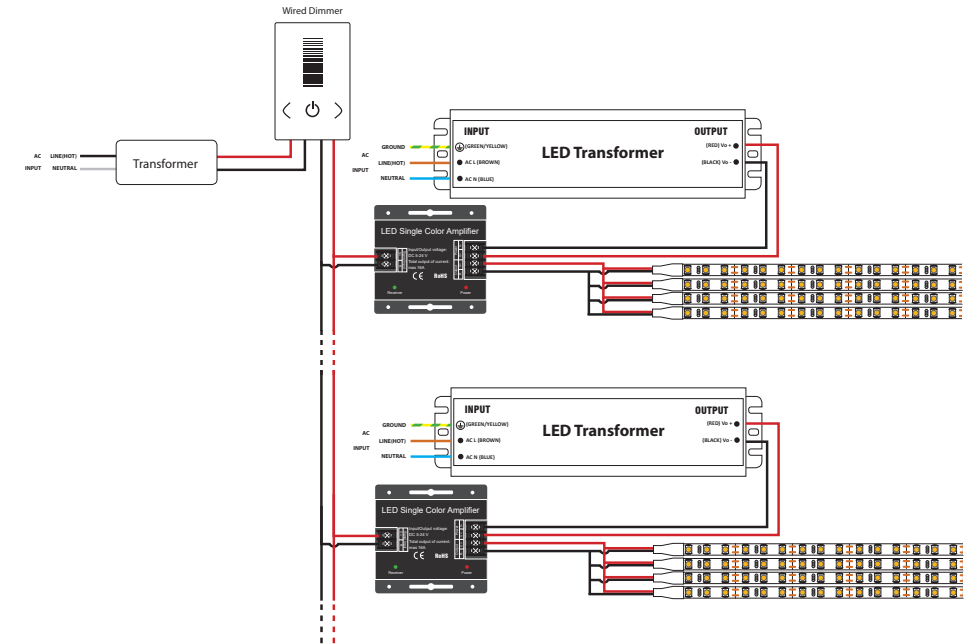
Input Voltage	Output Current	Output Power	Remarks
5V	16A	80W	Constant voltage
12V	16A	192W	
24V	16A	384W	

- Repeat dimming signal
- One channel max up to 16A
- Amplifier in series to expand output unlimitedly

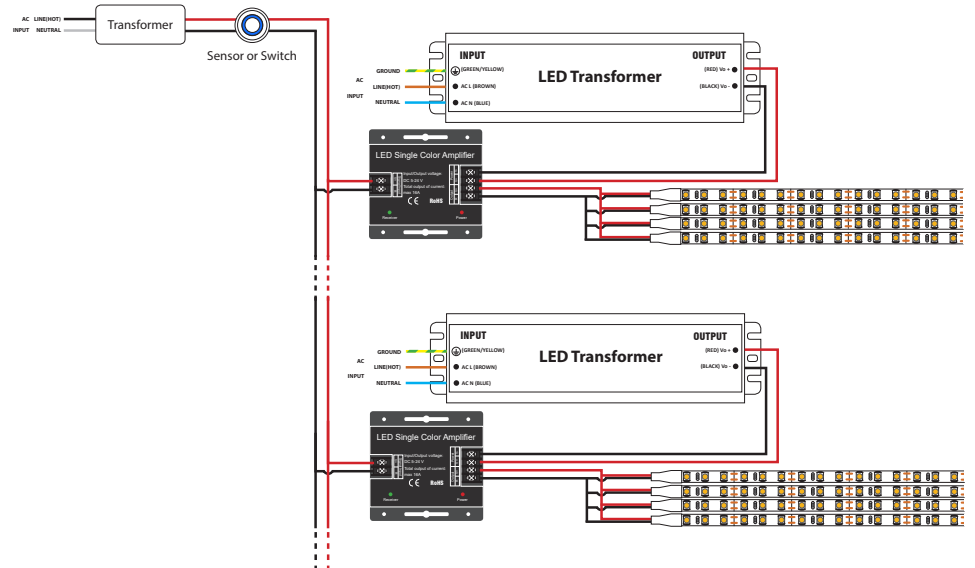
Safety & Warnings

- DO NOT install with power applied to device.
- DO NOT expose the device to moisture.

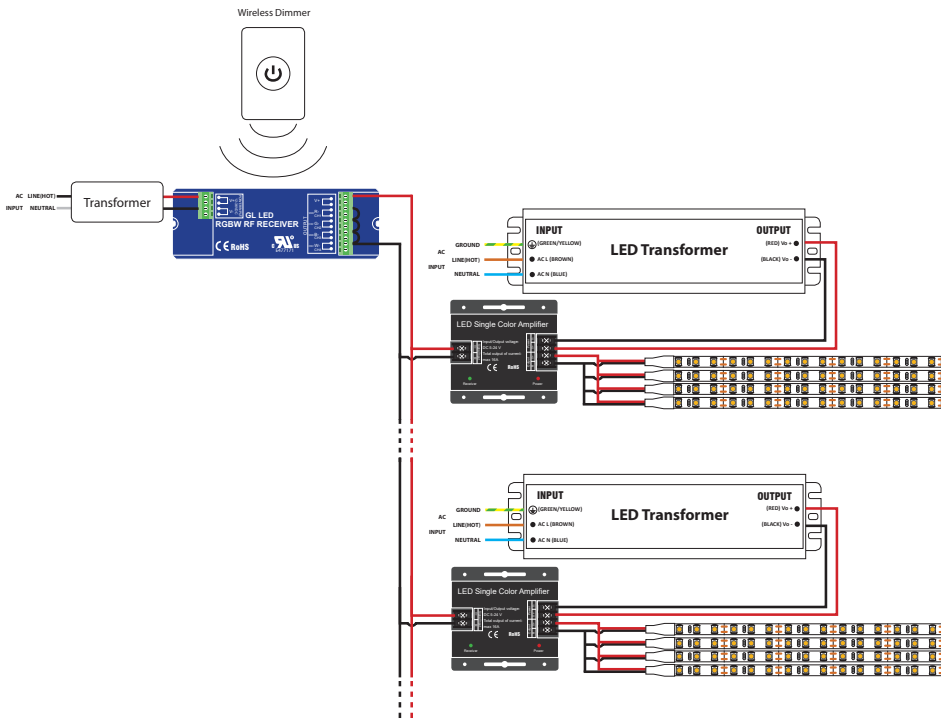
Wiring diagram



Wiring diagram - Single Color Low Voltage Wired Dimmer with BLK Single Color Amplifier



Wiring diagram - Single Color Sensor or Switch with BLK Single Color Amplifier



Wiring diagram - Single Color Wireless Dimmer with BLK Single Color Amplifier