

BLK RGB Amplifier

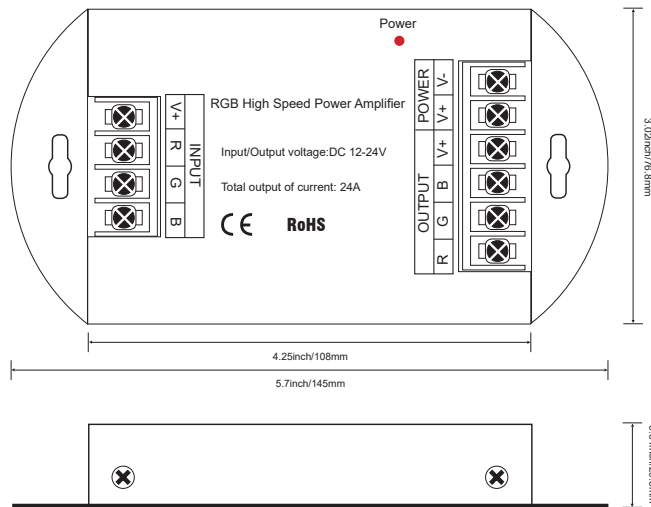


Important: Read All Instructions Prior to Installation

Function introduction

Operation

LED amplifier is suitable for all of our single color & RGB controllers to expand power output, it supports PWM control and can connect one to three times more LEDs by adding one more amplifier, and unlimited amplifier can be connected together theoretically.



Product Data

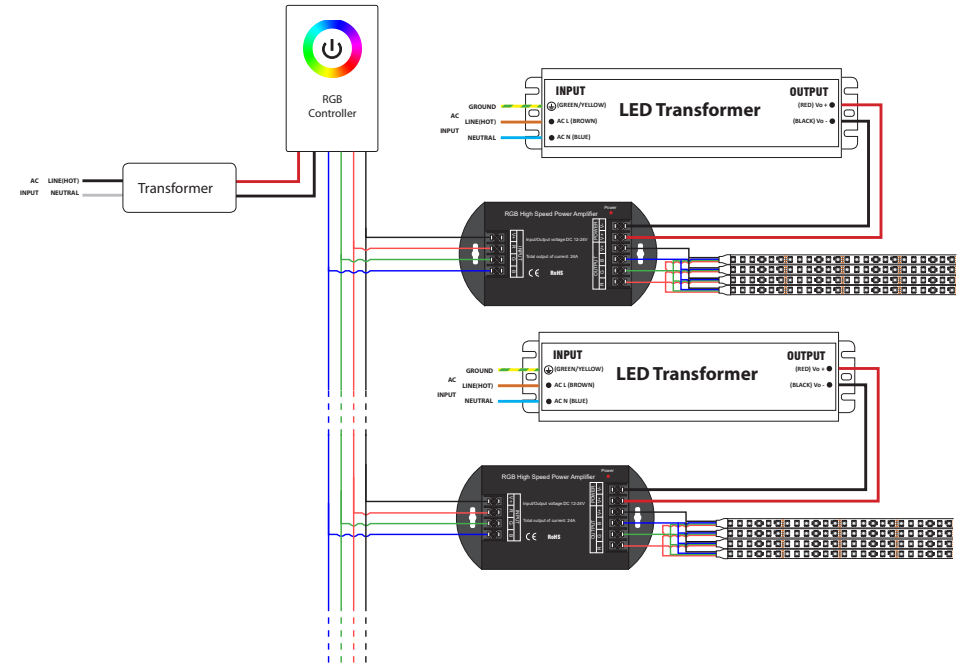
Input Voltage	Output Current	Output Power	Remarks
5V	24A	120W	Constant voltage
12V	24A	288W	
24V	24A	576W	

- Repeat dimming signal
- One channel/three channel optional, max up to 8A per channel
- Amplifier in series to expand output unlimitedly

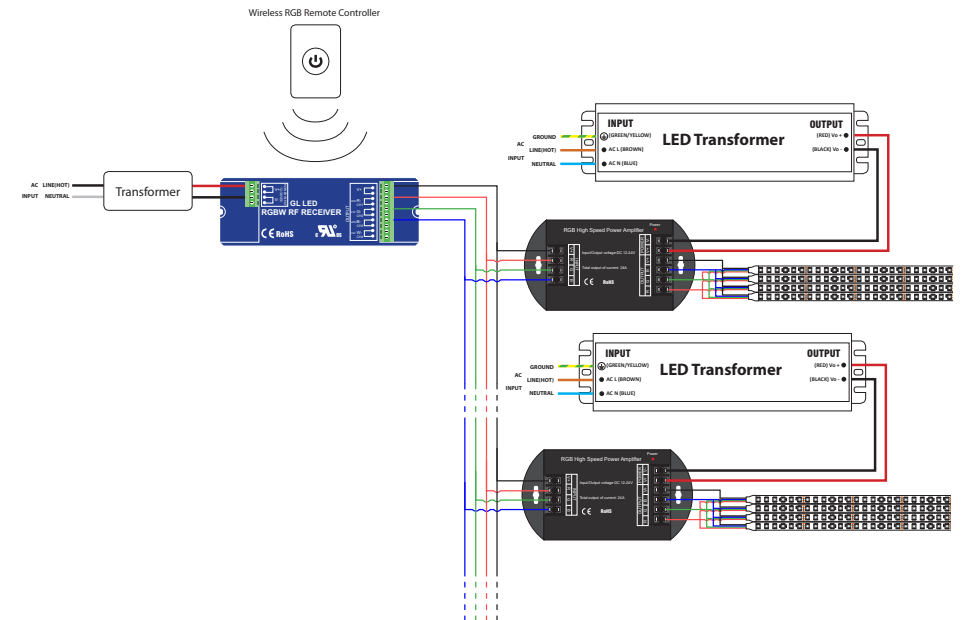
Safety & Warnings

- DO NOT install with power applied to device.
- DO NOT expose the device to moisture.

Wiring diagram



Wiring diagram - RGB Color Changing Wired Controller with BLK RGB Amplifier



Wiring diagram - RGB Color Changing Wireless Controller with BLK RGB Amplifier