

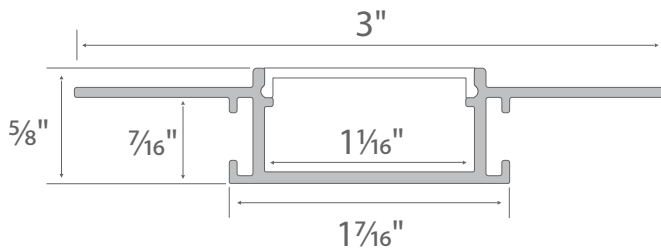
LED Aluminum Channel - TRIMLESS RECESS YD 7615



Trimless Recess YD 7615 is ideal for integrating LED strip light into walls and ceilings. While installing, the trimless channel is able to achieve a clean line of light.

Features

- Recessed mounting.
- Customizable.
- Anodized finish.
- Trimless.
- Covers and protect LED strip light.
- Manufactured with a patented frosted diffuser for maximum lumen output and wider beam distribution.



Specification

Length	94in
Internal width	1.06in
Finish	Silver
Diffuser	Milky
Material	Anodized Aluminum
Installation	Recessed Mount
Accessories	End cap, Connecting

Models

Model No.	Finish Color	Diffuser Type	Dimension (L x W xH)	Application
YD-7615-AL-8-M	Silver	Milky	94 x 3 x 5/8 in	Indoor, Outdoor

Accessories (Sold Separately)

Mounting Accessories



YD 7615 End Caps
YD-7615-EC

Connecting Accessories



AL L-Shape Corner Connector - Flat
YD-FLC

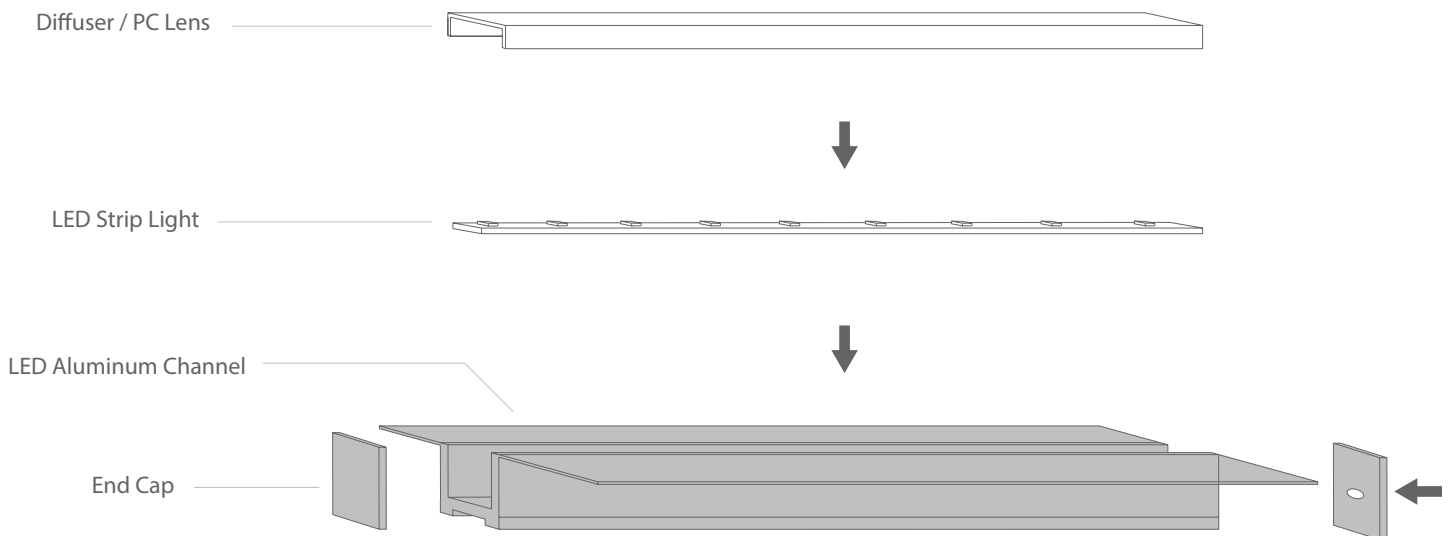


AL L-Shape Corner Connector - Vertical
YD-VTC



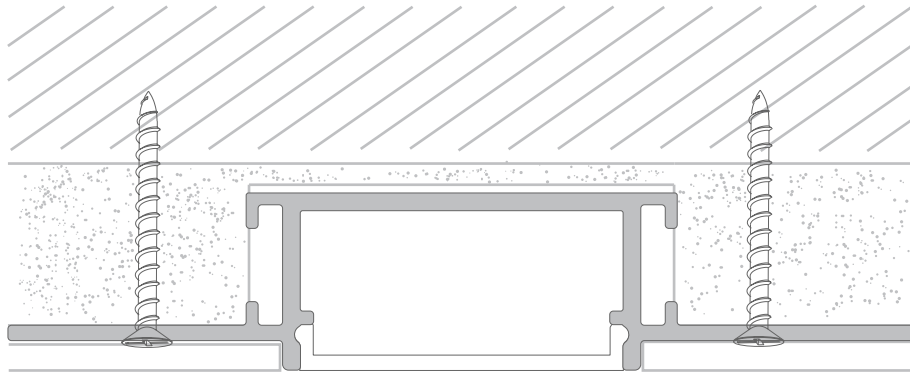
AL Straight Extend Connector
YD-EX

Installation Diagram



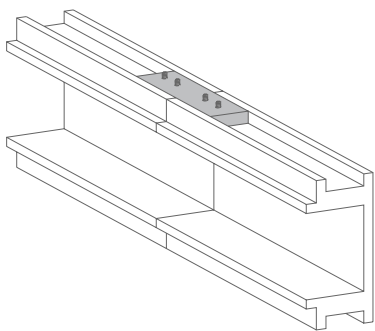
Mounting Options

Recessed Mount

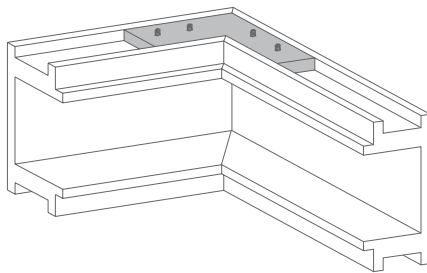


Recessed mounting with screws

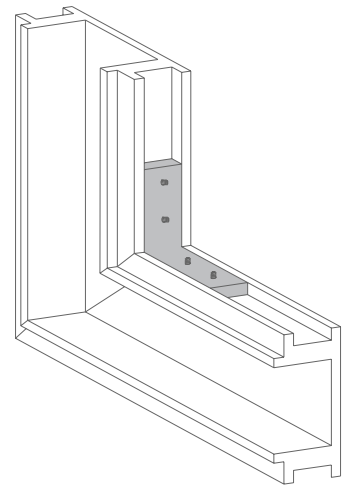
Connecting Options



Connecting with
AL Straight Extend Connector



Connecting with
AL L-Shape Corner Connector - Flat



Connecting with
AL L-Shape Corner Connector - Vertical

Compatible LED Strip Lights

	Series	Model No.	Width	LED Quantity	Light Filling Level	Hotspots Level
	INFINITE	GL-3528-120-xxxxK-24V-IP20-CC	1 ³ / ₃₂ in	34 LEDs/ft	Partial	No Hotspot
	ECO	GL-3528-112-xxxxK-xxV-IPxx	1 ³ / ₃₂ in	34 LEDs/ft	Partial	No Hotspot
	PRO	GL-3528-240-xxxxK-24V-IPxx	1 ³ / ₃₂ in	73 LEDs/ft	Partial	No Hotspot
	LEGEND	GL-2835-240-xxxxK-24V-IPxx	1 ³ / ₃₂ in	73 LEDs/ft	Partial	No Hotspot
	NARROW	GL-3528-120-xxxxK-12V-IP20-5MM	3 ¹ / ₁₆ in	36 LEDs/ft	Partial	No Hotspot
	COB	GL-COB-480-xxxxK-24V-IP20	1 ³ / ₃₂ in	145 LEDs/ft	Partial	No Hotspot
	TUNABLE WHITE	GL-2835-240-CCT-24V-IP20	1 ³ / ₃₂ in	73 LEDs/ft	Partial	No Hotspot
	FOR BREAD	GL-2835-60-2500K-12V-IP20-B	1 ³ / ₃₂ in	18 LEDs/ft	Partial	Partial Hotspot
	FOR MEAT	GL-2835-60-2900K-12V-IP67-M	1 ³ / ₃₂ in	18 LEDs/ft	Partial	Partial Hotspot
	RGB HIGH BRIGHT	GL-5050-60-RGB-xxV-IPxx	1 ³ / ₃₂ in	18 LEDs/ft	Partial	Partial Hotspot
	RGB SUPER BRIGHT	GL-3535-120-RGB-24V-IPxx	1 ³ / ₃₂ in	34 LEDs/ft	Partial	No Hotspot
	RGB DIGITAL	GL-5050-60-DIG-12V-IPxx	1 ³ / ₃₂ in	18 LEDs/ft	Partial	Partial Hotspot

Light Filling Level



Full



Partial

Hotspots Visible Level



No Hotspot



Partial Hotspot



Hotspot

Note:

We recommend to use two, or more, LED strips in a shallow channel that has internal width that is greater than .8in to prevent partial filling.

Note:

When LEDs are used with aluminum channel there may be hot spots. The more depth of a channel, and/or density of a LED, can help reduce visible hot spots