

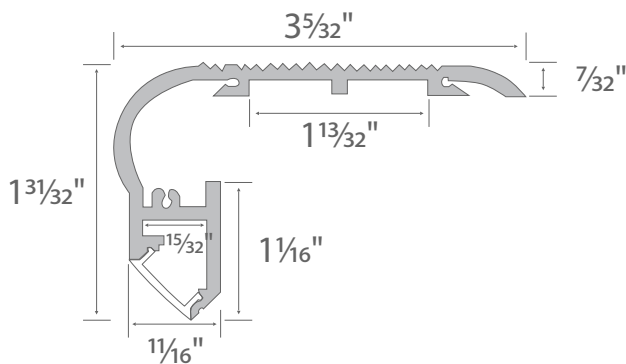
LED Aluminum Channel - STAIR EDGE GL 024



Stair Edge GL 024 is specially designed for illuminating stairs. With designed shape, GL 024 is able to hold human flow.

Features

- For stairs.
- Customizable.
- Anodized finish.
- Eliminate Glares.
- Covers and protect LED strip light.
- Manufactured with a patented frosted diffuser for maximum lumen output and wider beam distribution.



Specification

Length	78in
Internal width	1 ⁵ / ₃₂ in
Finish	Silver
Diffuser	Milky
Material	Anodized Aluminum
Installation	Surface Mount
Accessories	End cap

Models

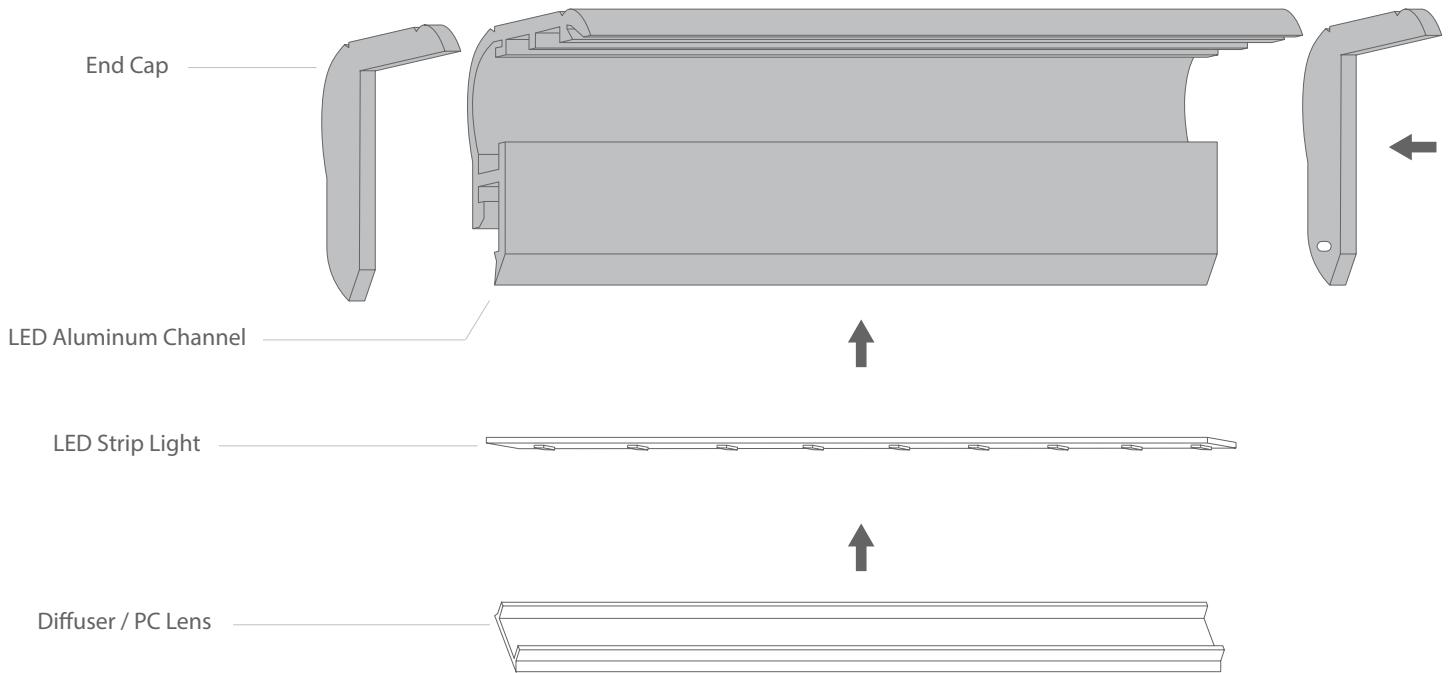
Model No.	Finish Color	Diffuser Type	Dimension (L x W xH)	Application
GL-024-AL-6-M	Silver	Milky	78 x 3 ⁵ / ₃₂ x 1 ³ / ₃₂ in	Indoor, Outdoor

Accessories (Sold Separately)



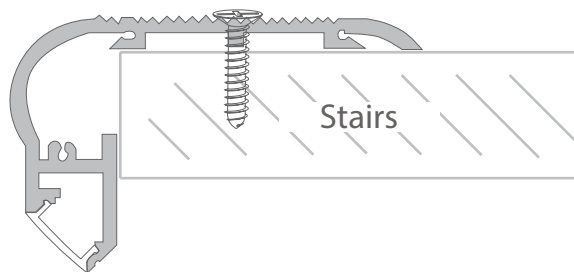
GL 024 End Caps
GL-024-EC

Installation Diagram



Mounting Options

Surface Mount



Surface Mounting with Screws

Compatible LED Strip Lights

	Series	Model No.	Width	LED Quantity	Light Filling Level	Hotspots Level
	INFINITE	GL-3528-120-xxxxK-24V-IP20-CC	1 ³ / ₃₂ in	34 LEDs/ft	Full	No Hotspot
	ECO	GL-3528-112-xxxxK-xxV-IPxx	1 ³ / ₃₂ in	34 LEDs/ft	Full	No Hotspot
	PRO	GL-3528-240-xxxxK-24V-IPxx	1 ³ / ₃₂ in	73 LEDs/ft	Full	No Hotspot
	LEGEND	GL-2835-240-xxxxK-24V-IPxx	1 ³ / ₃₂ in	73 LEDs/ft	Full	No Hotspot
	NARROW	GL-3528-120-xxxxK-12V-IP20-5MM	3 ¹ / ₁₆ in	36 LEDs/ft	Full	No Hotspot
	COB	GL-COB-480-xxxxK-24V-IP20	1 ³ / ₃₂ in	145 LEDs/ft	Full	No Hotspot
	TUNABLE WHITE	GL-2835-240-CCT-24V-IP20	1 ³ / ₃₂ in	73 LEDs/ft	Full	No Hotspot
	FOR BREAD	GL-2835-60-2500K-12V-IP20-B	1 ³ / ₃₂ in	18 LEDs/ft	Full	No Hotspot
	FOR MEAT	GL-2835-60-2900K-12V-IP67-M	1 ³ / ₃₂ in	18 LEDs/ft	Full	No Hotspot
	RGB HIGH BRIGHT	GL-5050-60-RGB-xxV-IPxx	1 ³ / ₃₂ in	18 LEDs/ft	Full	No Hotspot
	RGB SUPER BRIGHT	GL-3535-120-RGB-24V-IPxx	1 ³ / ₃₂ in	34 LEDs/ft	Full	No Hotspot
	RGBW	GL-5050-96-RGB+xxxxK-24V-IP20	1 ⁵ / ₃₂ in	29 LEDs/ft	Full	No Hotspot
	RGB DIGITAL	GL-5050-60-DIG-12V-IPxx	1 ³ / ₃₂ in	18 LEDs/ft	Full	No Hotspot

Light Filling Level



Full



Partial

Hotspots Visible Level



No Hotspot



Partial Hotspot



Hotspot

Note:

We recommend to use two, or more, LED strips in a shallow channel that has internal width that is greater than 2⁵/₃₂ in to prevent partial filling.

Note:

When LEDs are used with aluminum channel there may be hot spots. The more depth of a channel, and/or density of a LED, can help reduce visible hot spots