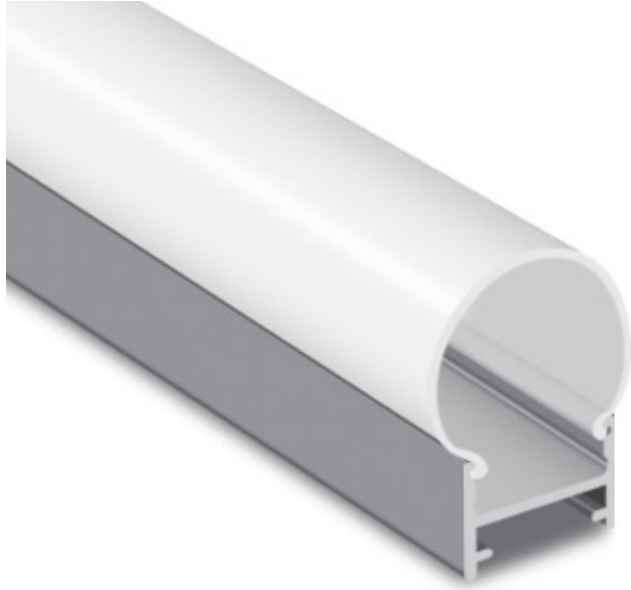


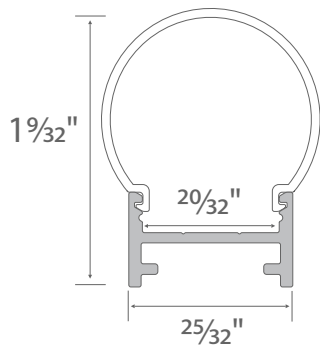
# LED Aluminum Channel - ROUND SURFACE A 2033



Round Surface A 2033 is ideal for hotspot-free surface mounting of LED strip light. With round surface, A 2033 complements a wide variety of applications.

## Features

- Surface and Suspended mounting.
- Customizable.
- Anodized finish.
- Hotspot-free design.
- Covers and protect LED strip light.
- Manufactured with a patented frosted diffuser for maximum lumen output and wider beam distribution.



## Specification

<b>Length</b>	94in
<b>Internal width</b>	0.64in
<b>Finish</b>	Silver
<b>Diffuser</b>	Milky
<b>Material</b>	Anodized Aluminum
<b>Installation</b>	Surface Mount
<b>Accessories</b>	End cap, Mounting

## Models

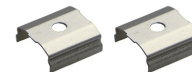
Model No.	Finish Color	Diffuser Type	Dimension (L x W xH)	Application
A-2033-AL-8-M	Silver	Milky	94x0.77x1.28in	Indoor, Outdoor

## Accessories (Sold Separately)

### Mounting Accessories

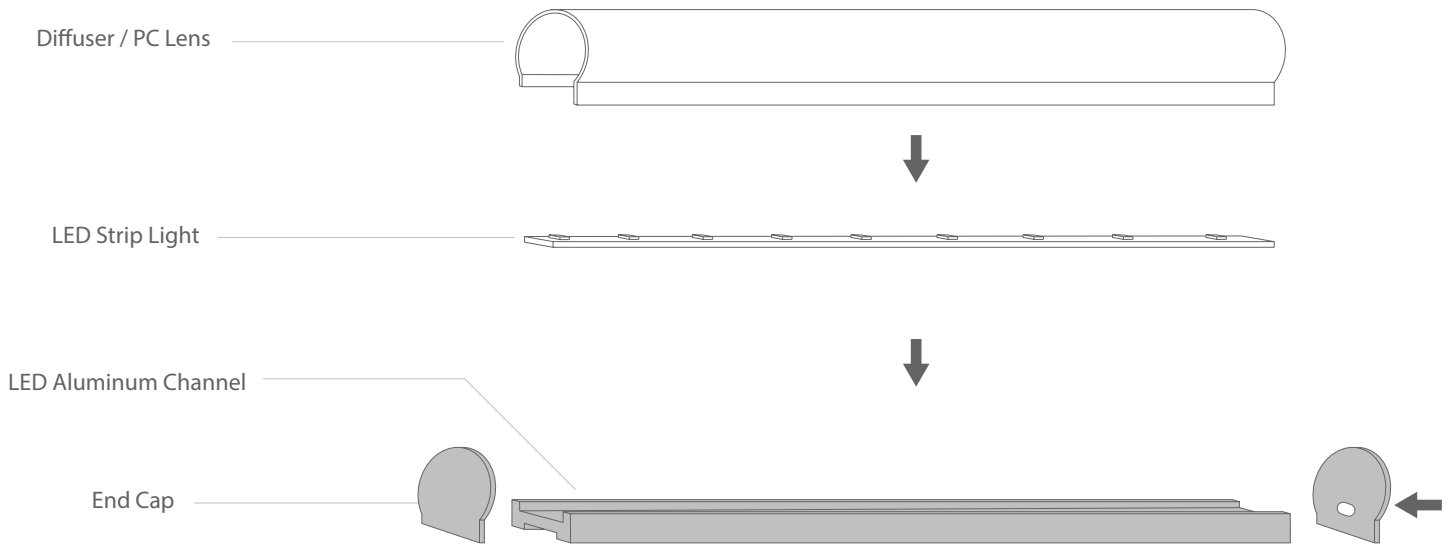


A 2033 End Caps  
**A-2033-EC**



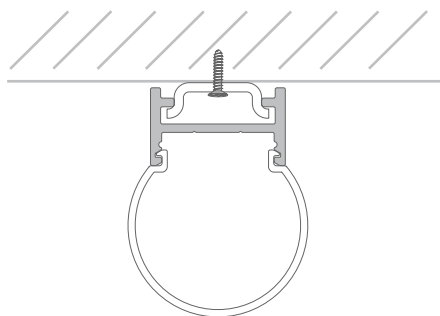
A 2033 Metal Clips  
**A-2033-MC**

### Installation Diagram

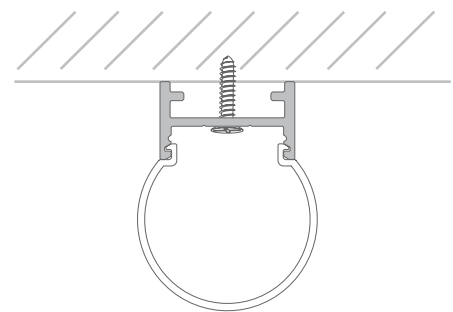


### Mounting Options

#### Surface Mount









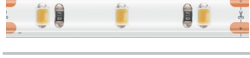






Surface mounting with Mounting Clips



Surface mounting with Screws

## Compatible LED Strip Lights

	Series	Model No.	Width	LED Quantity	Light Filling Level	Hotspots Level
	<b>INFINITE</b>	GL-3528-120-xxxxK-24V-IP20-CC	0.39in	34 LEDs/ft	Full	No Hotspot
	<b>ECO</b>	GL-3528-112-xxxxK-xxV-IPxx	0.39in	34 LEDs/ft	Full	No Hotspot
	<b>PRO</b>	GL-3528-240-xxxxK-24V-IPxx	0.39in	73 LEDs/ft	Full	No Hotspot
	<b>LEGEND</b>	GL-2835-240-xxxxK-24V-IPxx	0.39in	73 LEDs/ft	Full	No Hotspot
	<b>NARROW</b>	GL-3528-120-xxxxK-12V-IP20-5MM	0.2in	36 LEDs/ft	Full	No Hotspot
	<b>COB</b>	GL-COB-480-xxxxK-24V-IP20	0.39in	145 LEDs/ft	Full	No Hotspot
	<b>TUNABLE WHITE</b>	GL-2835-240-CCT-24V-IP20	0.39in	73 LEDs/ft	Full	No Hotspot
	<b>FOR BREAD</b>	GL-2835-60-2500K-12V-IP20-B	0.39in	18 LEDs/ft	Full	No Hotspot
	<b>FOR MEAT</b>	GL-2835-60-2900K-12V-IP67-M	0.39in	18 LEDs/ft	Full	No Hotspot
	<b>RGB HIGH BRIGHT</b>	GL-5050-60-RGB-xxV-IPxx	0.39in	18 LEDs/ft	Full	No Hotspot
	<b>RGB SUPER BRIGHT</b>	GL-3535-120-RGB-24V-IPxx	0.39in	34 LEDs/ft	Full	No Hotspot
	<b>RGBW</b>	GL-5050-96-RGB+xxxxK-24V-IP20	0.47in	29 LEDs/ft	Full	No Hotspot
	<b>RGB DIGITAL</b>	GL-5050-60-DIG-12V-IPxx	0.39in	18 LEDs/ft	Full	No Hotspot

### Light Filling Level



Full



Partial

### Hotspots Visible Level



No Hotspot



Partial Hotspot



Hotspot

#### Note:

We recommend to use two, or more, LED strips in a shallow channel that has internal width that is greater than .8in to prevent partial filling.

#### Note:

When LEDs are used with aluminum channel there may be hot spots. The more depth of a channel, and/or density of a LED, can help reduce visible hot spots