

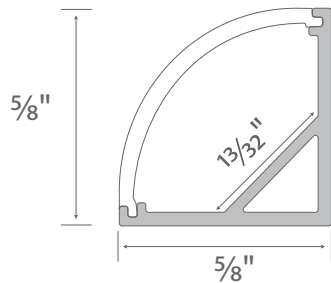
LED Aluminum Channel - ROUND CORNER-S YD 1002



ROUND CORNER-S YD 1002 is ideal for general low profile corner mounting of LED strip light. With 45 degree angle illumination, YD 1002 complements a wide variety of applications.

Features

- Round corner with 45 degree angle.
- Customizable.
- Anodized finish.
- Low profile design.
- Covers and protect LED strip light.
- Manufactured with a patented frosted diffuser for maximum lumen output and wider beam distribution.



Specification

| | |
|-----------------------|------------------------|
| Length | 94in |
| Internal width | 0.41in |
| Finish | Silver |
| Diffuser | Clear |
| Material | Anodized Aluminum |
| Installation | Surface Mount |
| Accessories | End cap, Mounting clip |

Models

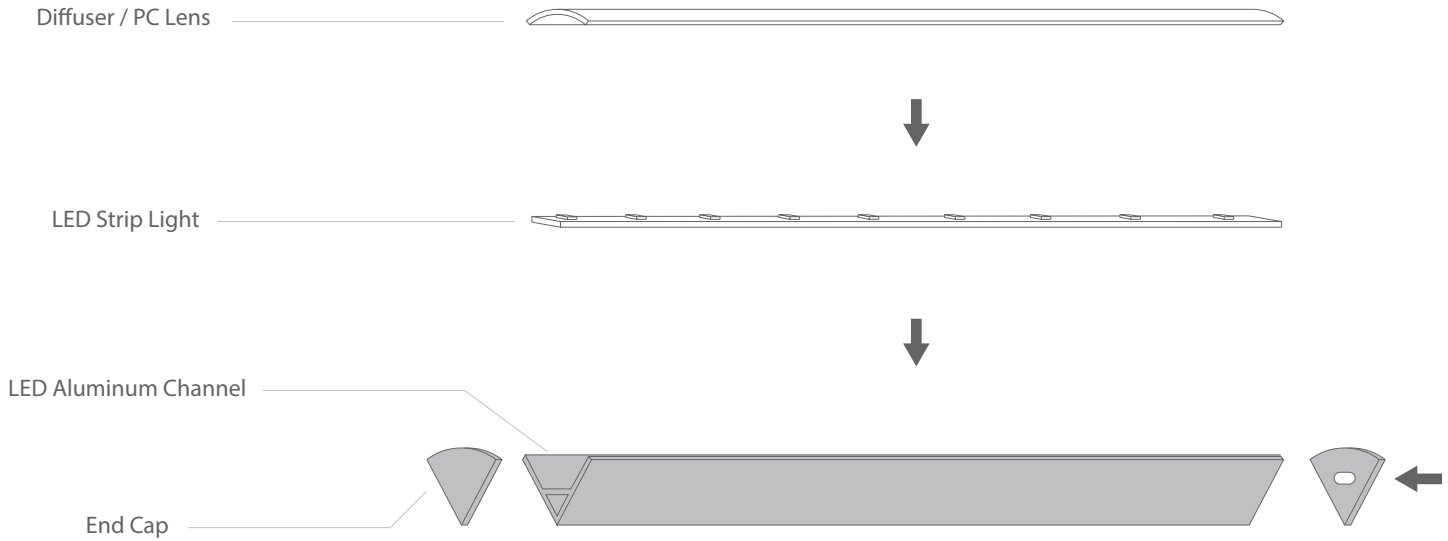
| Model No. | Finish Color | Diffuser Type | Dimension (L x W xH) | Application |
|----------------|--------------|---------------|----------------------|-----------------|
| YD-1002-AL-8-C | Silver | Clear | 94x0.63x0.63in | Indoor, Outdoor |

Accessories (Sold Separately)

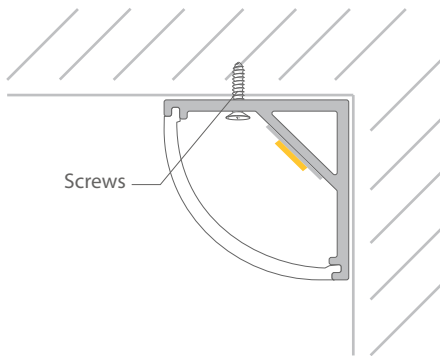


ES 1616 End Caps
ES-1616-EC

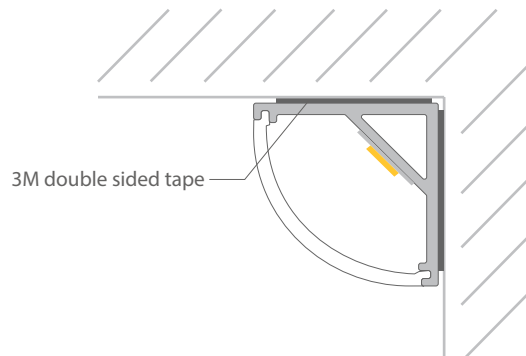
Installation Diagram



Mounting Options



Surface mounting with Screws



Surface mounting with 5/8" wide 3M double sided tape

It is recommended to **Use screws** or **5/8" wide 3M double sided tape** for surface mounting to secure the channel.

Compatible LED Strip Lights

| | Series | Model No. | Width | LED Quantity | Light Filling Level | Hotspots Level |
|--|-------------------------|--------------------------------|--------|--------------|---------------------|----------------|
| | INFINITE | GL-3528-120-xxxxK-24V-IP20-CC | 0.39in | 34 LEDs/ft | Full | Hotspot |
| | ECO | GL-3528-112-xxxxK-xxV-IPxx | 0.39in | 34 LEDs/ft | Full | Hotspot |
| | PRO | GL-3528-240-xxxxK-24V-IPxx | 0.39in | 73 LEDs/ft | Full | Hotspot |
| | LEGEND | GL-2835-240-xxxxK-24V-IPxx | 0.39in | 73 LEDs/ft | Full | Hotspot |
| | NARROW | GL-3528-120-xxxxK-12V-IP20-5MM | 0.2in | 36 LEDs/ft | Full | Hotspot |
| | COB | GL-COB-480-xxxxK-24V-IP20 | 0.39in | 145 LEDs/ft | Full | Hotspot |
| | TUNABLE WHITE | GL-2835-240-CCT-24V-IP20 | 0.39in | 73 LEDs/ft | Full | Hotspot |
| | FOR BREAD | GL-2835-60-2500K-12V-IP20-B | 0.39in | 18 LEDs/ft | Full | Hotspot |
| | FOR MEAT | GL-2835-60-2900K-12V-IP67-M | 0.39in | 18 LEDs/ft | Full | Hotspot |
| | RGB HIGH BRIGHT | GL-5050-60-RGB-xxV-IPxx | 0.39in | 18 LEDs/ft | Full | Hotspot |
| | RGB SUPER BRIGHT | GL-3535-120-RGB-24V-IPxx | 0.39in | 34 LEDs/ft | Full | Hotspot |
| | RGB DIGITAL | GL-5050-60-DIG-12V-IPxx | 0.39in | 18 LEDs/ft | Full | Hotspot |

Light Filling Level



Full



Partial

Hotspots Visible Level



No Hotspot



Partial Hotspot



Hotspot

Note:

We recommend to use two, or more, LED strips in a shallow channel that has internal width that is greater than .8in to prevent partial filling.

Note:

When LEDs are used with aluminum channel there may be hot spots. The more depth of a channel, and/or density of a LED, can help reduce visible hot spots