

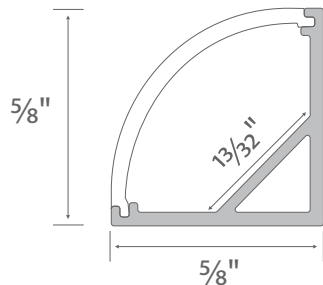
LED Aluminum Channel - ROUND CORNER-S YD 1002



ROUND CORNER-S YD 1002 is ideal for general low profile corner mounting of LED strip light. With 45 degree angle illumination, YD 1002 complements a wide variety of applications.

Features

- Round corner with 45 degree angle.
- Customizable.
- Anodized finish.
- Low profile design.
- Covers and protect LED strip light.
- Manufactured with a patented frosted diffuser for maximum lumen output and wider beam distribution.



Specification

Length	94in
Internal width	0.41in
Finish	Black
Diffuser	Black
Material	Anodized Aluminum
Installation	Surface Mount
Accessories	End cap, Mounting clip

Models

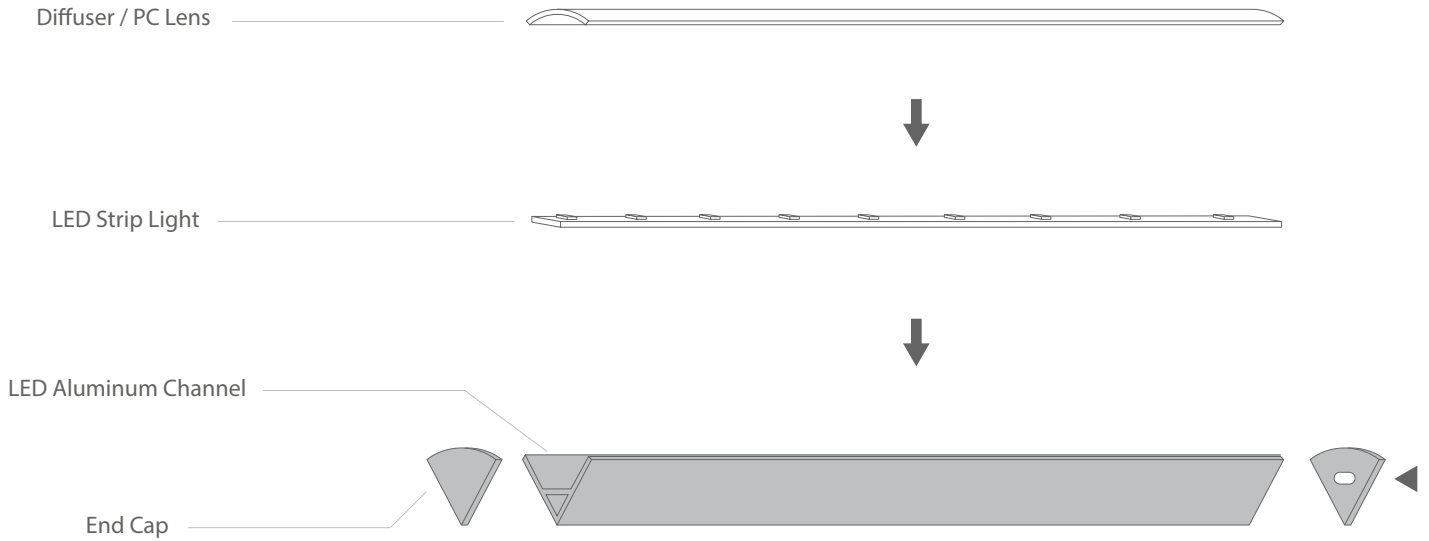
Model No.	Finish Color	Diffuser Type	Dimension (L x W xH)	Application
YD-1002-AL-2-B-B	Black	Black	24x0.63x0.63in	Indoor, Outdoor
YD-1002-AL-8-B-B	Black	Black	94x0.63x0.63in	Indoor, Outdoor

Accessories (Sold Separately)

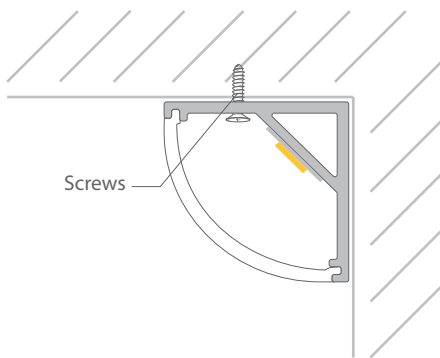


ES 1616 End Caps
ES-1616-EC

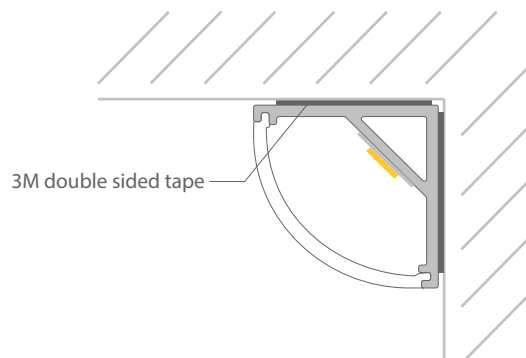
Installation Diagram



Mounting Options



Surface mounting with Screws



Surface mounting with 5/8" wide
3M double sided tape

It is recommended to **Use screws** or **5/8" wide 3M double sided tape** for surface mounting to secure the channel.

Compatible LED Strip Lights

	Series	Model No.	Width	LED Quantity	Light Filling Level	Hotspots Level
	INFINITE	GL-3528-120-xxxxK-24V-IP20-CC	0.39in	34 LEDs/ft	Full	Partial Hotspot
	ECO	GL-3528-112-xxxxK-xxV-IPxx	0.39in	34 LEDs/ft	Full	Partial Hotspot
	PRO	GL-3528-240-xxxxK-24V-IPxx	0.39in	73 LEDs/ft	Full	No Hotspot
	LEGEND	GL-2835-240-xxxxK-24V-IPxx	0.39in	73 LEDs/ft	Full	No Hotspot
	NARROW	GL-3528-120-xxxxK-12V-IP20-5MM	0.2in	36 LEDs/ft	Full	Partial Hotspot
	COB	GL-COB-480-xxxxK-24V-IP20	0.39in	145 LEDs/ft	Full	No Hotspot
	TUNABLE WHITE	GL-2835-240-CCT-24V-IP20	0.39in	73 LEDs/ft	Full	Partial Hotspot
	FOR BREAD	GL-2835-60-2500K-12V-IP20-B	0.39in	18 LEDs/ft	Full	Hotspot
	FOR MEAT	GL-2835-60-2900K-12V-IP67-M	0.39in	18 LEDs/ft	Full	Hotspot
	RGB HIGH BRIGHT	GL-5050-60-RGB-xxV-IPxx	0.39in	18 LEDs/ft	Full	Hotspot
	RGB SUPER BRIGHT	GL-3535-120-RGB-24V-IPxx	0.39in	34 LEDs/ft	Full	Partial Hotspot
	RGB DIGITAL	GL-5050-60-DIG-12V-IPxx	0.39in	18 LEDs/ft	Full	Hotspot

Light Filling Level



Full



Partial

Hotspots Visible Level



No Hotspot



Partial Hotspot



Hotspot

Note:

We recommend to use two, or more, LED strips in a shallow channel that has internal width that is greater than .8in to prevent partial filling.

Note:

When LEDs are used with aluminum channel there may be hot spots. The more depth of a channel, and/or density of a LED, can help reduce visible hot spots