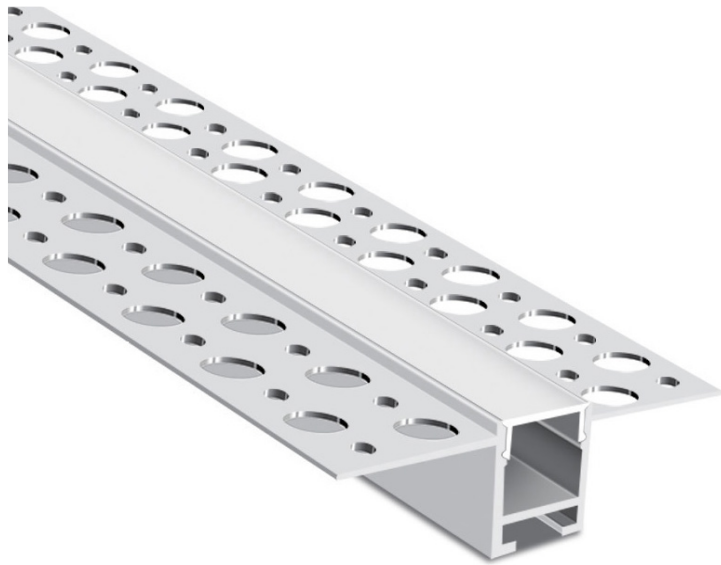


LED Aluminum Channel - SLIM TRIMLESS RECESS

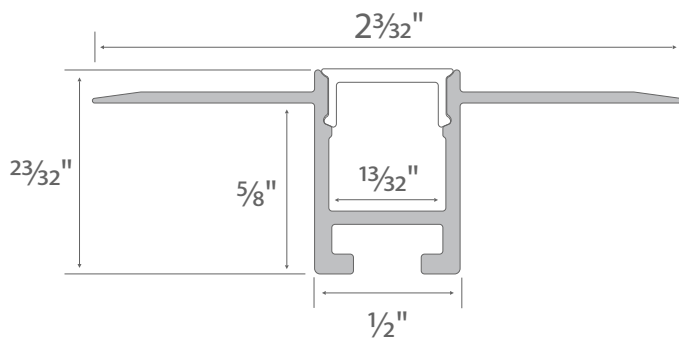
QS 5319



Slim Trimless Recess QS 5319 is ideal for integrating LED strip light into walls and ceilings. While installing, the trimless channel is able to achieve a clean line of light.

Features

- Recessed mounting.
- Customizable.
- Anodized finish.
- Trimless.
- Covers and protect LED strip light.
- Manufactured with a patented frosted diffuser for maximum lumen output and wider beam distribution.



Specification

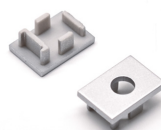
| | |
|-----------------------|---------------------|
| Length | 94in |
| Internal width | 1 3/32in |
| Finish | Silver |
| Diffuser | Milky |
| Material | Anodized Aluminum |
| Installation | Recessed Mount |
| Accessories | End cap, Connecting |

Models

| Model No. | Finish Color | Diffuser Type | Dimension (L x W xH) | Application |
|----------------|--------------|---------------|-------------------------|-----------------|
| QS-5319-AL-8-M | Silver | Milky | 94 x 2 3/32 x 2 3/32 in | Indoor, Outdoor |

Accessories (Sold Separately)

Mounting Accessories



QS 5319 End Caps
QS-5319-EC

Connecting Accessories



AL L-Shape Corner Connector - Flat
YD-FLC

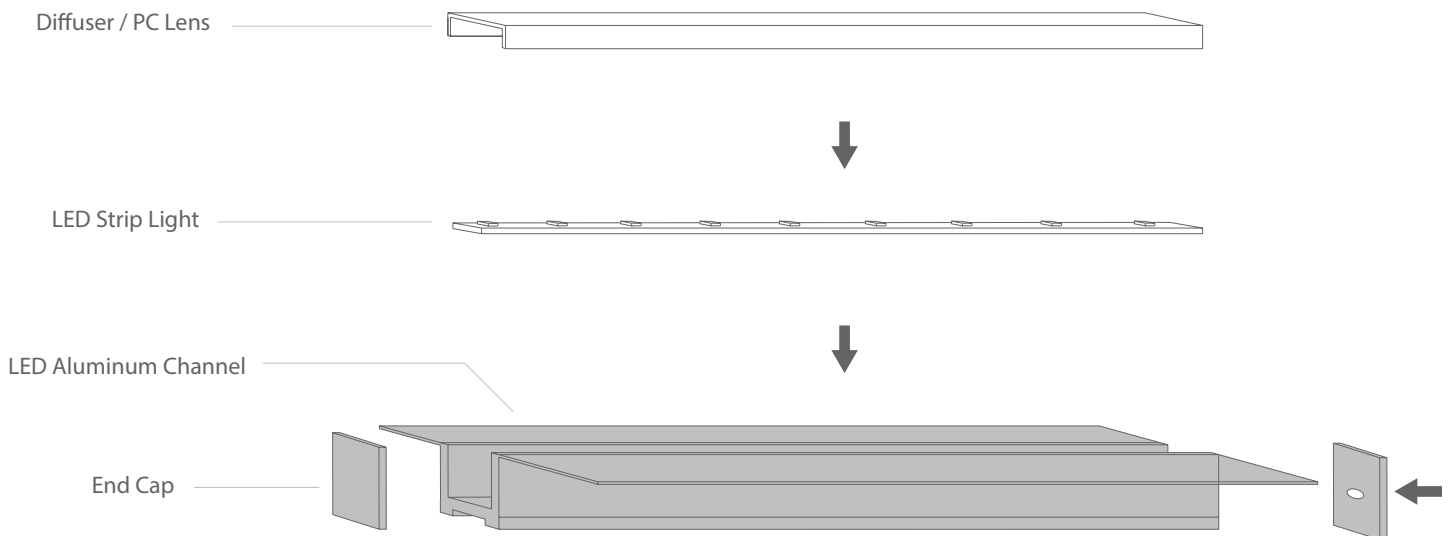


AL L-Shape Corner Connector - Vertical
YD-VTC



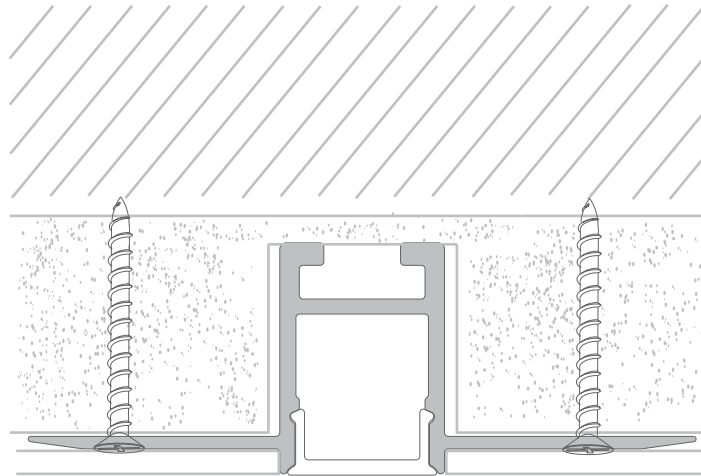
AL Straight Extend Connector
YD-EX

Installation Diagram



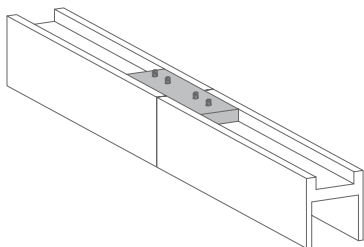
Mounting Options

Recessed Mount

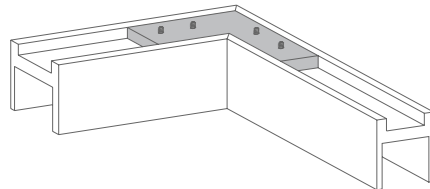


Recessed mounting with screws

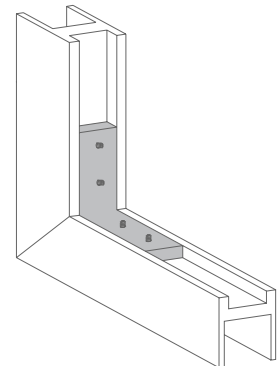
Connecting Options



Connecting with
AL Straight Extend Connector



Connecting with
AL L-Shape Corner Connector - Flat



Connecting with
AL L-Shape Corner Connector - Vertical

Compatible LED Strip Lights

| | Series | Model No. | Width | LED Quantity | Light Filling Level | Hotspots Level |
|---|-------------------------|--------------------------------|-----------------------------------|--------------|---------------------|-----------------|
|  | INFINITE | GL-3528-120-xxxxK-24V-IP20-CC | 1 ³ / ₃₂ in | 34 LEDs/ft | Full | No Hotspot |
|  | ECO | GL-3528-112-xxxxK-xxV-IPxx | 1 ³ / ₃₂ in | 34 LEDs/ft | Full | No Hotspot |
|  | PRO | GL-3528-240-xxxxK-24V-IPxx | 1 ³ / ₃₂ in | 73 LEDs/ft | Full | No Hotspot |
|  | LEGEND | GL-2835-240-xxxxK-24V-IPxx | 1 ³ / ₃₂ in | 73 LEDs/ft | Full | No Hotspot |
|  | NARROW | GL-3528-120-xxxxK-12V-IP20-5MM | 3 ¹ / ₁₆ in | 36 LEDs/ft | Full | No Hotspot |
|  | COB | GL-COB-480-xxxxK-24V-IP20 | 1 ³ / ₃₂ in | 145 LEDs/ft | Full | No Hotspot |
|  | TUNABLE WHITE | GL-2835-240-CCT-24V-IP20 | 1 ³ / ₃₂ in | 73 LEDs/ft | Full | No Hotspot |
|  | FOR BREAD | GL-2835-60-2500K-12V-IP20-B | 1 ³ / ₃₂ in | 18 LEDs/ft | Full | Partial Hotspot |
|  | FOR MEAT | GL-2835-60-2900K-12V-IP67-M | 1 ³ / ₃₂ in | 18 LEDs/ft | Full | Partial Hotspot |
|  | RGB HIGH BRIGHT | GL-5050-60-RGB-xxV-IPxx | 1 ³ / ₃₂ in | 18 LEDs/ft | Full | Partial Hotspot |
|  | RGB SUPER BRIGHT | GL-3535-120-RGB-24V-IPxx | 1 ³ / ₃₂ in | 34 LEDs/ft | Full | No Hotspot |
|  | RGB DIGITAL | GL-5050-60-DIG-12V-IPxx | 1 ³ / ₃₂ in | 18 LEDs/ft | Full | Partial Hotspot |

Light Filling Level



Full



Partial

Hotspots Visible Level



No Hotspot



Partial Hotspot



Hotspot

Note:

We recommend to use two, or more, LED strips in a shallow channel that has internal width that is greater than 2⁵/₃₂ in to prevent partial filling.

Note:

When LEDs are used with aluminum channel there may be hot spots. The more depth of a channel, and/or density of a LED, can help reduce visible hot spots