

LED Aluminum Channel - GLASS EDGE

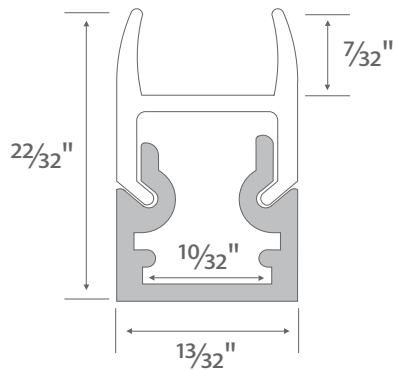
JH 1686



Glass Edge JH 1686 is specially designed for illuminating glasses. The lip-shaped diffuser is able to spread the light while clipped onto the 0.3in glass.

Features

- Illuminating 0.3in thick of glass.
- Customizable.
- Anodized finish.
- Only able to fit NARROW Series (GL-3528-120-XXXXK-12V-IP20-5MM).
- Manufactured with a patented frosted diffuser for maximum lumen output and wider beam distribution.



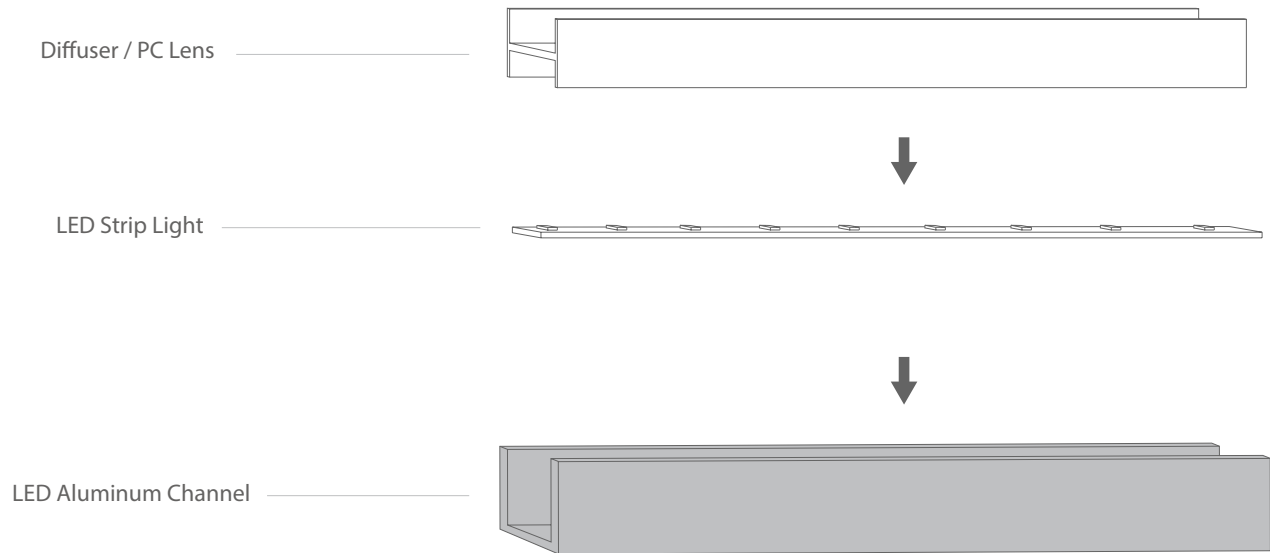
Specification

Length	24in, 94in
Internal width	0.29in
Finish	Silver
Diffuser	Milky
Material	Anodized Aluminum
Installation	Glass slide-in
Accessories	End cap

Models

Model No.	Finish Color	Diffuser Type	Dimension (L x W xH)	Application
JH-1686-AL-2-M-S	Silver	Milky	24x0.61x0.41in	Indoor
JH-1686-AL-8-M-S	Silver	Milky	94x0.61x0.41in	Indoor

Installation Diagram




Installation



Installing with 0.29in glass

Compatible LED Strip Lights (Sold Separately)

	Series	Model No.	Width	LED Quantity
	NARROW	GL-3528-120-xxxxK-12V-IP20-5MM	0.2in	36 LEDs/ft

*For more detailed light information, please see LED strip light- NARROW series specification.