

LED Aluminum Channel - ES3021 LINEAR

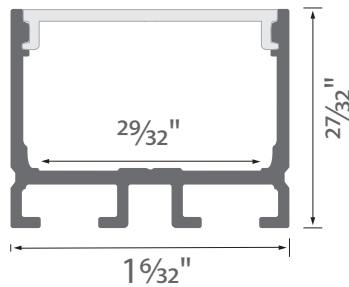
ES 3021



ES3021 LINEAR is ideal for surface mounting of LED Wall Washer Strip Light. While installing, connectors can also help ES 3021 LINEAR to achieve different shapes.

Features

- Surface mounting.
- Customizable.
- Anodized extruded aluminum
- Covers and protect LED strip light.
- Work Environment / IP Rating: IP20



Specification

Length	96in
Internal width	1 3/16in
Finish	Black
Diffuser	Clear
Material	Anodized Extruded Aluminum
Installation	Surface Mount
Accessories	End cap, Mounting, Connecting

Models

Model No.	Finish Color	Diffuser Type	Dimension (L x W xH)	Application
ES-3021-AL-8-C	Black	Clear	96x1 3/16x27 3/32in	Indoor

Accessories (Sold Separately)

Mounting Accessories



ES 3021 End Caps
ES-3021-EC-B



Metal Clip



Mounting Clip
ES-3021-MC



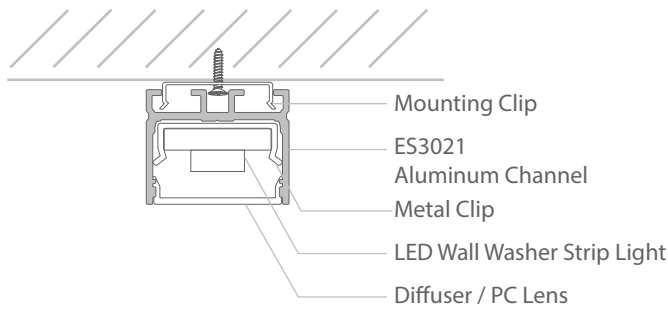
Adjustable Bracket
ES-3021-AJB-B



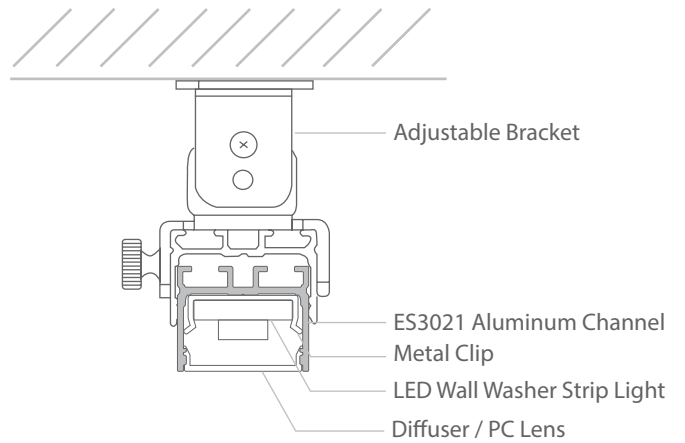
AL Straight Extend Connector-Type
AL-EX-VB

Mounting Options

Surface Mount

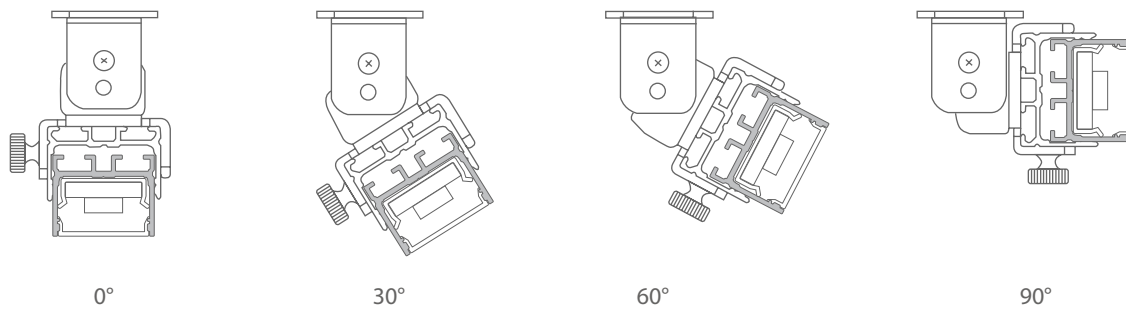


Surface mounting with Mounting Clips

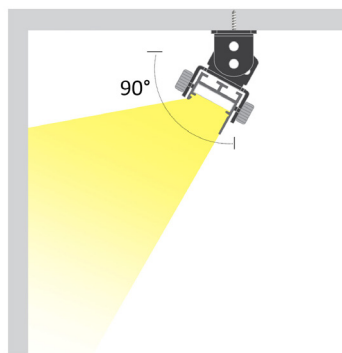


Surface mounting with Adjustable Bracket

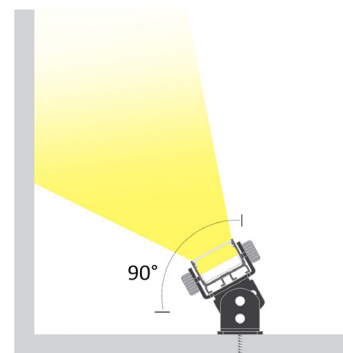
Adjustable Angle



Lighting Diagram



ES 2321



ES 3021