

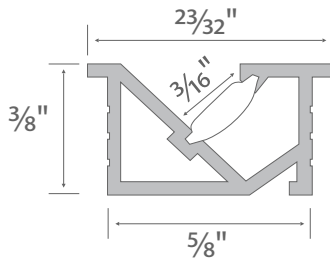
LED Aluminum Channel - ANGLE RECESS JH 1716



ANGLE RECESS JH 1716 is ideal for recessed mounting of LED strip light that eliminate glare. With its small size, JH 1716 performs successfully with shelf lighting.

Features

- Small and recessed.
- Customizable.
- Anodized finish.
- Eliminate glare..
- Only able to fit NARROW Series(GL-3528-120-XXXXK-12V-IP20-5MM).
- Manufactured with a patented frosted diffuser for maximum lumen output and wider beam distribution.



Specification

Length	24in, 94in
Internal width	0.2in
Finish	Black
Diffuser	Milky
Material	Anodized Aluminum
Installation	Surface Mount
Accessories	End cap

Models

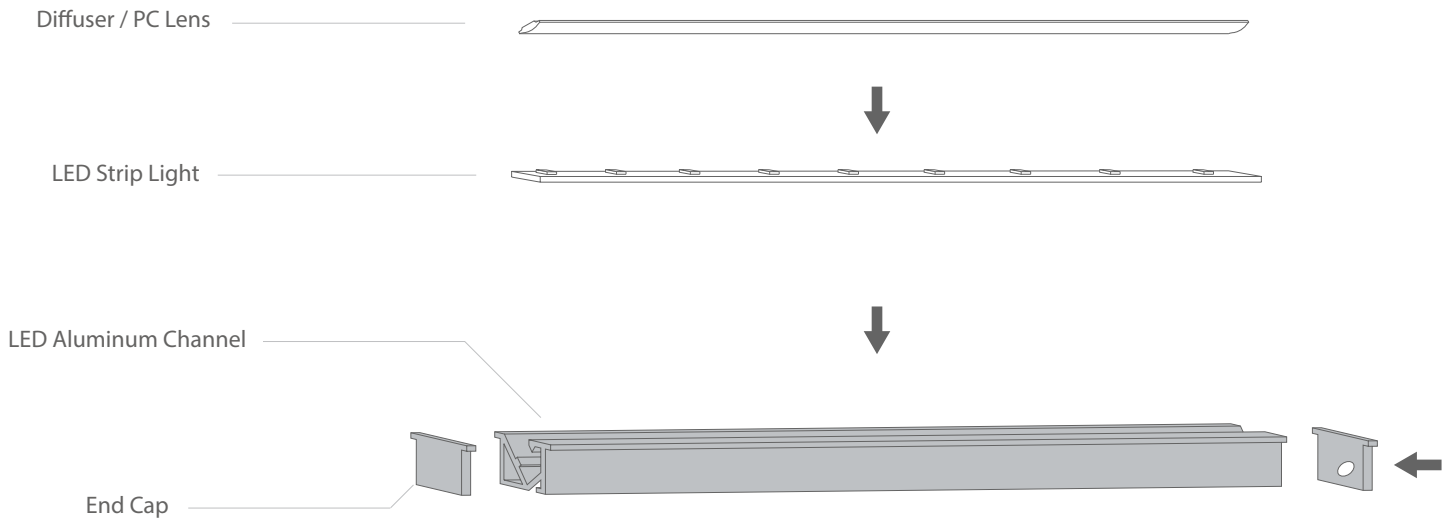
Model No.	Finish Color	Diffuser Type	Dimension (L x W xH)	Application
JH-1716-AL-2-M-B	Black	Milky	24x0.73x0.39in	Indoor
JH-1716-AL-8-M-B	Black	Milky	94x0.73x0.39in	Indoor

Accessories (Sold Separately)



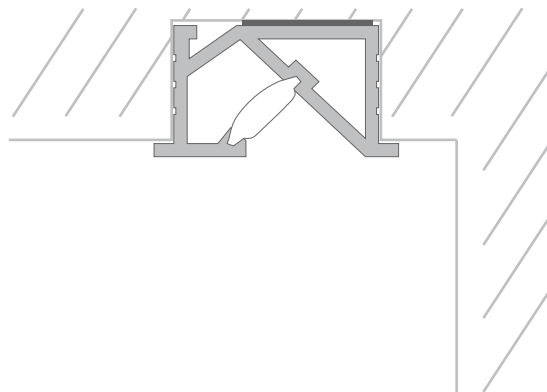
JH 1716 End Caps
JH-1716-EC-B

Installation Diagram




Mounting Options

Recessed Mount



Recessed mounting with 3M Tape

Compatible LED Strip Lights (Sold Separately)

	Series	Model No.	Width	LED Quantity
	NARROW	GL-3528-120-xxxxK-12V-IP20-5MM	0.2in	36 LEDs/ft

*For more detailed light information, please see LED strip light- NARROW series specification.