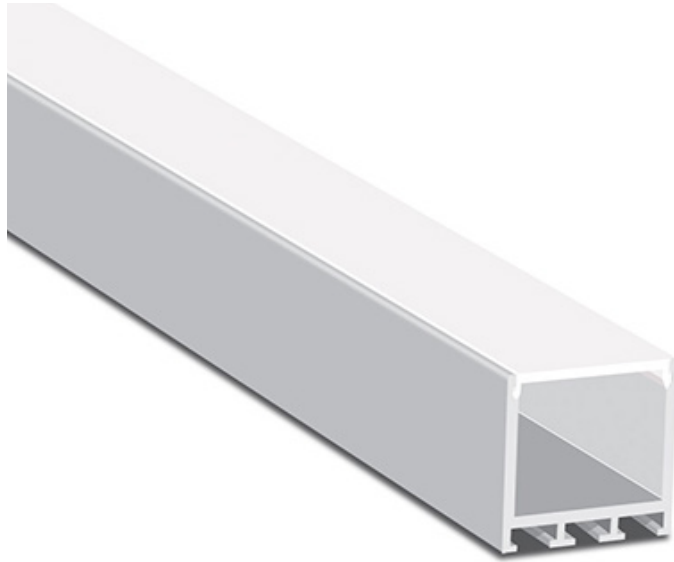


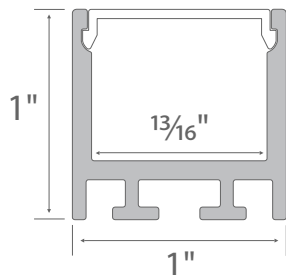
# LED Aluminum Channel - A2525 LINEAR A 2525



A 2525 LINEAR is ideal for clean suspended mounting of LED strip light. While installing, connectors can also help A 2525 LINEAR to achieve different shapes.

## Features

- Surface and Suspended mounting.
- Customizable.
- Anodized finish.
- Hotspot-free design.
- Covers and protect LED strip light.
- Manufactured with a patented frosted diffuser for maximum lumen output and wider beam distribution.



## Specification

<b>Length</b>	94in
<b>Internal width</b>	0.80in
<b>Finish</b>	Silver
<b>Diffuser</b>	Milky
<b>Material</b>	Anodized Aluminum
<b>Installation</b>	Surface Mount, Suspended Mount
<b>Accessories</b>	End cap, Mounting, Connecting

## Models

Model No.	Finish Color	Diffuser Type	Dimension (L x W xH)	Application
A-2525-AL-8-M	Silver	Milky	94x0.98x0.98in	Indoor, Outdoor

## Accessories (Sold Separately)

### Mounting Accessories



A 2525 End Caps  
**A-2525-EC**

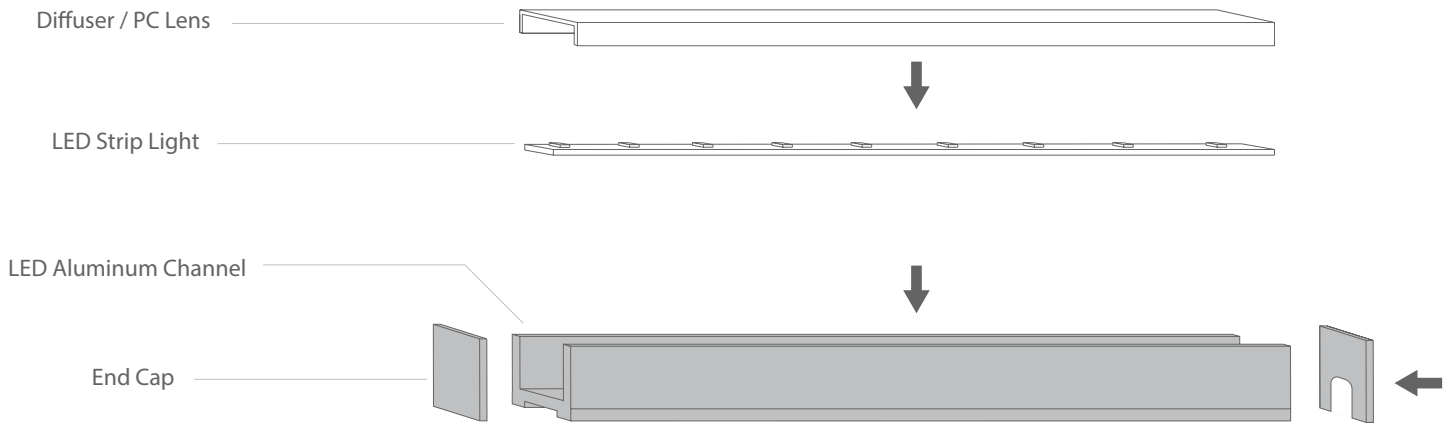


A 2525 Metal Clip  
**A-2525-MC**



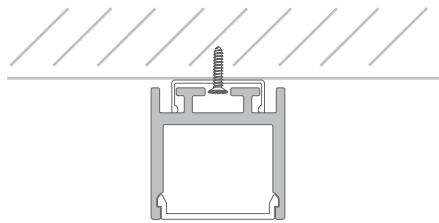
Aluminum Channel Suspension Kit  
**AL-SE-HK-A2525**

## Installation Diagram

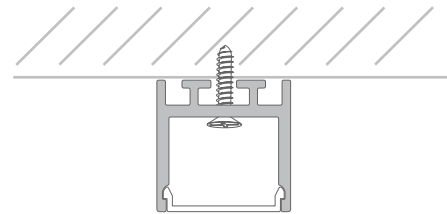


## Mounting Options

### Surface Mount

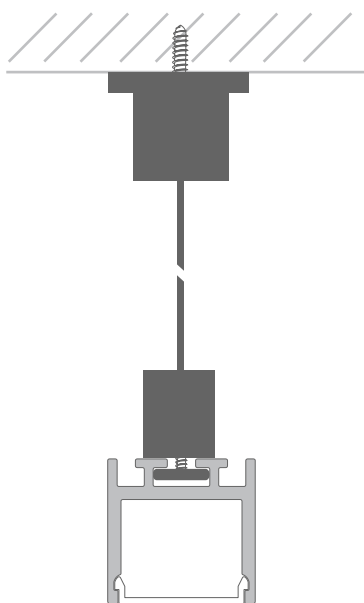


Surface mounting with Mounting Clips



Surface mounting with Screws

### Suspended Mount



Suspended mounting with Suspension Kit

## Compatible LED Strip Lights

Low Voltage LED Strip Lights	Series	Model No.	Width	LED Quantity	Light Filling Level	Hotspots Level
	INFINITE	GL-3528-120-xxxxK-24V-IP20-CC	0.39in	34 LEDs/ft	Full	No Hotspot
	ECO	GL-3528-112-xxxxK-xxV-IPxx	0.39in	34 LEDs/ft	Full	No Hotspot
	PRO	GL-3528-240-xxxxK-24V-IPxx	0.39in	73 LEDs/ft	Full	No Hotspot
	LEGEND	GL-2835-240-xxxxK-24V-IPxx	0.39in	73 LEDs/ft	Full	No Hotspot
	NARROW	GL-3528-120-xxxxK-12V-IP20-5MM	0.2in	36 LEDs/ft	Full	No Hotspot
	COB	GL-COB-480-xxxxK-24V-IP20	0.39in	145 LEDs/ft	Full	No Hotspot
	TUNABLE WHITE	GL-2835-240-CCT-24V-IP20	0.39in	73 LEDs/ft	Full	No Hotspot
	FOR BREAD	GL-2835-60-2500K-12V-IP20-B	0.39in	18 LEDs/ft	Full	Partial Hotspot
	FOR MEAT	GL-2835-60-2900K-12V-IP67-M	0.39in	18 LEDs/ft	Full	Partial Hotspot
	RGB HIGH BRIGHT	GL-5050-60-RGB-xxV-IPxx	0.39in	18 LEDs/ft	Full	Partial Hotspot
	RGB SUPER BRIGHT	GL-3535-120-RGB-24V-IPxx	0.39in	34 LEDs/ft	Full	No Hotspot
	RGBW	GL-5050-96-RGB+xxxxK-24V-IP20	0.47in	29 LEDs/ft	Full	No Hotspot
	RGB DIGITAL	GL-5050-60-DIG-12V-IPxx	0.39in	18 LEDs/ft	Full	Partial Hotspot

### Light Filling Level

We recommend to use two, or more, LED strips in a shallow channel that has internal width that is greater than .8in to prevent partial filling.



Full



Partial

### Hotspots Visible Level

When LEDs are used with aluminum channel there may be hot spots. The more depth of a channel, and/or density of a LED, can help reduce visible hot spots




No Hotspot



Partial Hotspot



Hotspot

120VAC LED Strip Lights	Series	Model No.	LED Quantity	Recommended # of Strips to Use
	PRO-S	GL-LV-2835WWC-96H-120-2700K-xx-0	18 LEDs/ft	1 strip

When use 120VAC LED strip light in LINEAR series, it is usually hotspots free.